

Am79C930

PCnet™-Mobile Single-Chip Wireless LAN Media Access Controller

DISTINCTIVE CHARACTERISTICS

- Capable of supporting the IEEE 802.11 standard (draft)
- Supports the Xircom Netwave™ media access control (MAC) protocols
- Supports MAC layer functions
- Individual 8-byte transmit and 15-byte receive FIFOs
- Integrated intelligent 80188 processor for MAC layer functions
- Glueless PCMCIA bus interface conforming to PC Card standard—Feb. 1995
- Full PCMCIA software interface support for PC Card standard—Feb. 1995
- Glueless ISA (IEEE P996) bus interface with full support for Plug and Play release 1.0a
- Glueless SRAM interface for MAC operations, supporting up to 128 Kbytes of memory
- Glueless Flash memory interface, supporting up to 128 Kbytes of non-volatile memory for MAC control code, PCMCIA configuration parameters, and ISA Plug and Play configuration parameters
- Provides integrated Transceiver Attachment Interface (TAI), supporting Frequency-Hopping Spread Spectrum, Direct Sequence Spread Spectrum, and infrared physical-layer interfaces
- Antenna diversity selection support
- Fabricated with submicron CMOS technology with low operating current
- Supports dual 3 V and 5 V supply applications
- Low-power mode allows reduced power consumption for critical battery-powered applications
- 144-pin Thin Quad Flat Pack (TQFP) package available for space-critical applications, such as PCMCIA
- JTAG Boundary Scan (IEEE 1149.1) test access port for board-level production test

GENERAL DESCRIPTION

PCnet-Mobile (Am79C930) is the first in a series of mobile networking products in AMD's PCnet family. The Am79C930 device is the first single-chip wireless LAN media access controller (MAC) supporting the IEEE 802.11 (draft) standard and the Xircom Netwave™ MAC protocols. The Am79C930 device is designed to have a flexible protocol engine to allow for industry standard and proprietary protocols. Protocol firmware for Xircom Netwave and IEEE 802.11 (draft) MAC protocols are supplied by AMD. It is pin-compatible with the PCMCIA bus or the ISA (Plug and Play) bus through a pin-strapping option.

The Am79C930 device contains a PCMCIA/ISA bus interface unit (BIU), a MAC control unit, and a

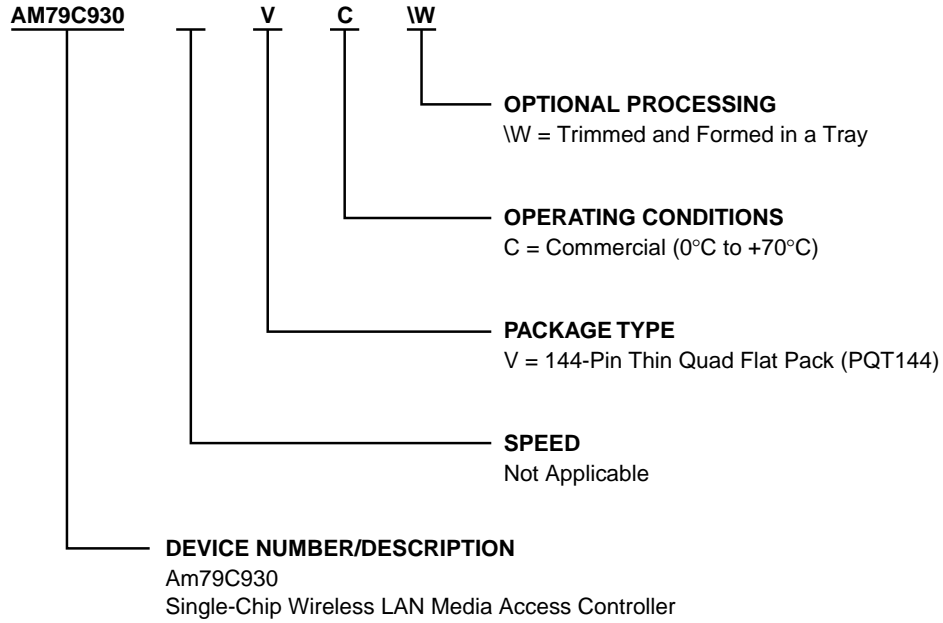
transceiver attachment interface (TAI). The TAI supports frequency-hopping spread spectrum, direct sequence spread spectrum, and infrared physical layer interfaces. In addition, a power down function has been incorporated to provide low standby current for power-sensitive applications.

The Am79C930 device provides users with a media access controller that has flexibility (i.e., bus interface, protocol, and physical layer support) to allow the design of multiple products using a single device. By having all the necessary MAC functions on a single chip, users only need to add memory and the physical layer in order to deliver a fully functional wireless LAN connection.

ORDERING INFORMATION

Standard Products

AMD standard products are available in several packages and operating ranges. The order number (valid combination) is formed by a combination of the elements below.

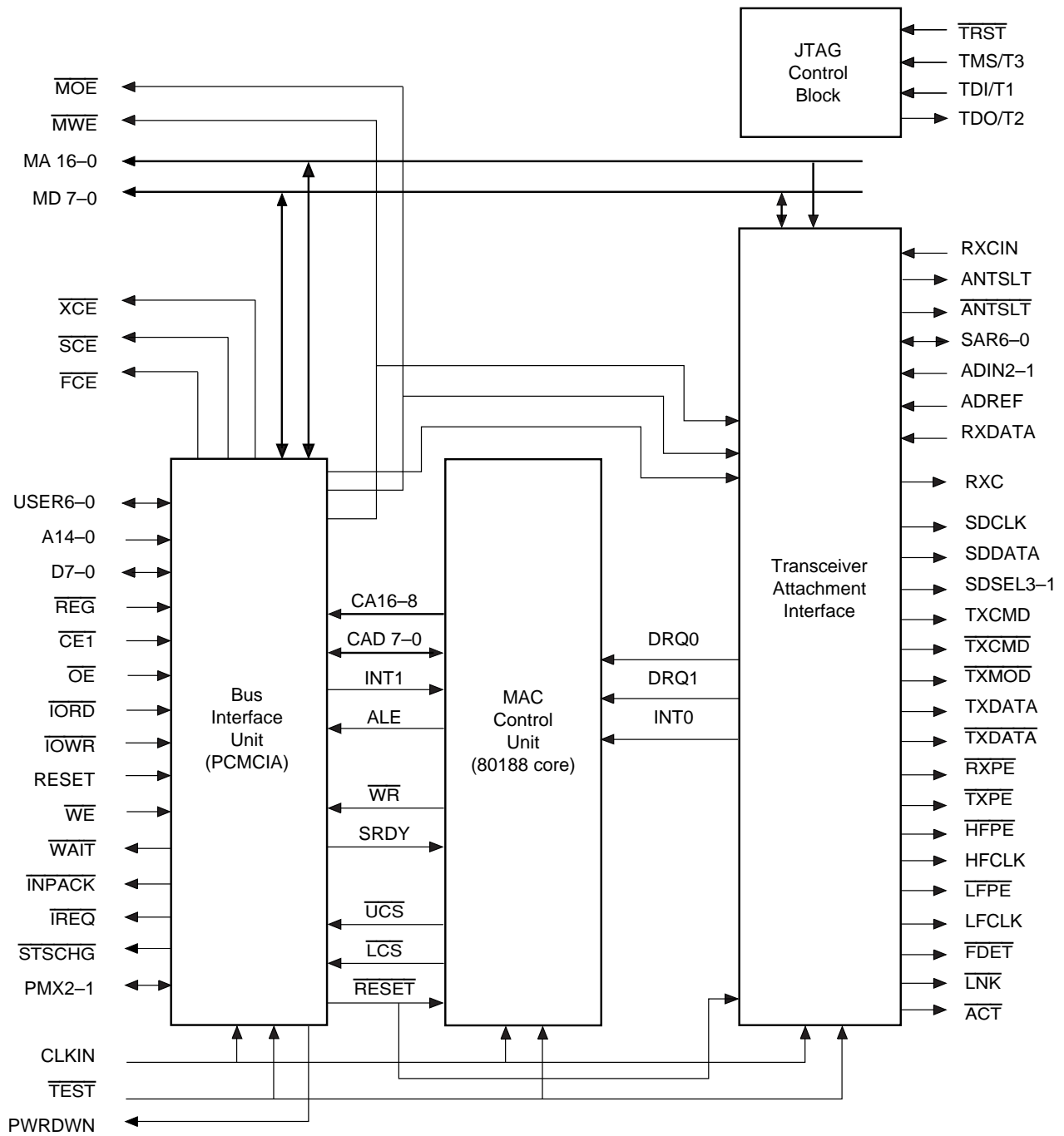


Valid Combinations	
Am79C930	VCW

Valid Combinations

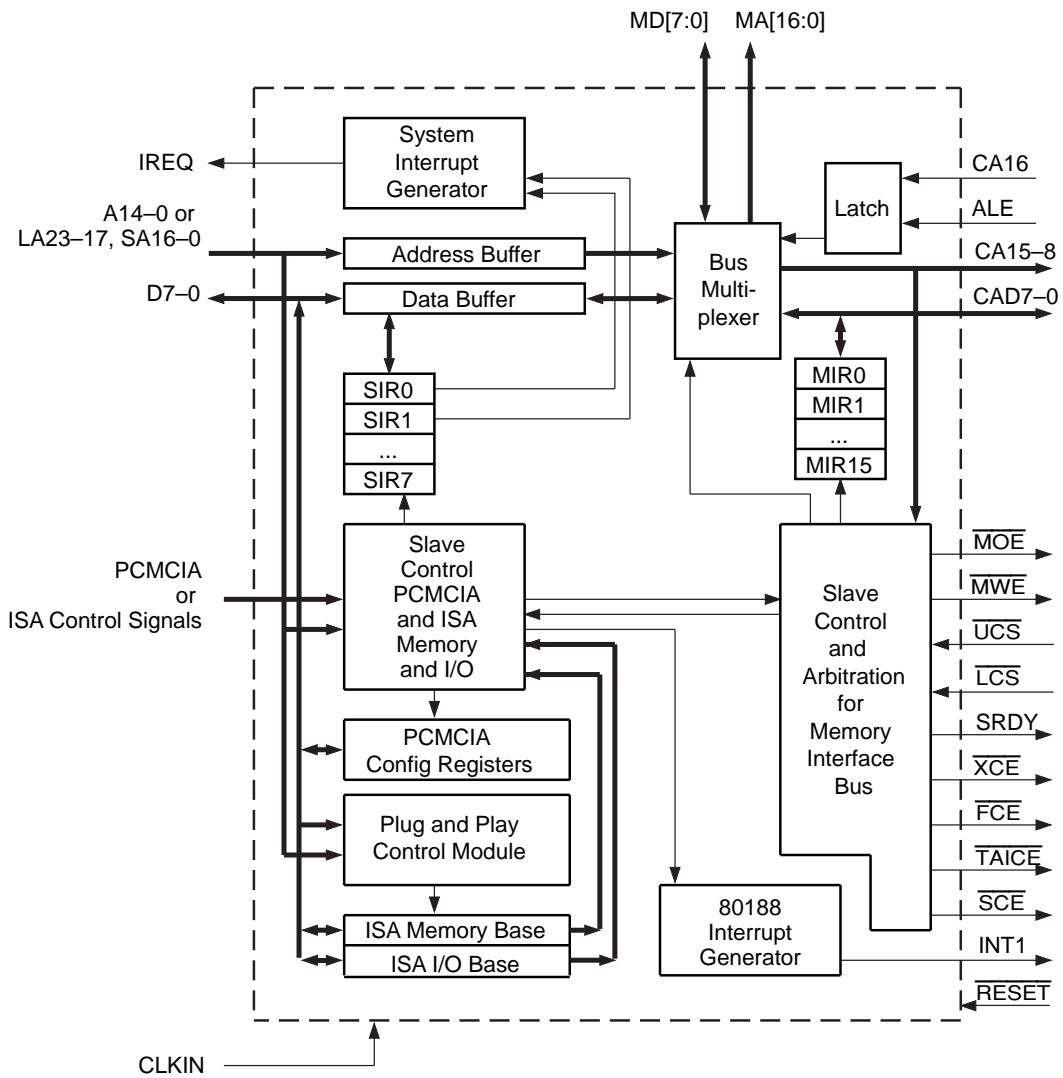
Valid combinations list configurations planned to be supported in volume for this device. Consult the local AMD sales office to confirm availability of specific valid combinations and to check on newly released combinations.

BLOCK DIAGRAM
PCMCIA Mode



20183B-1

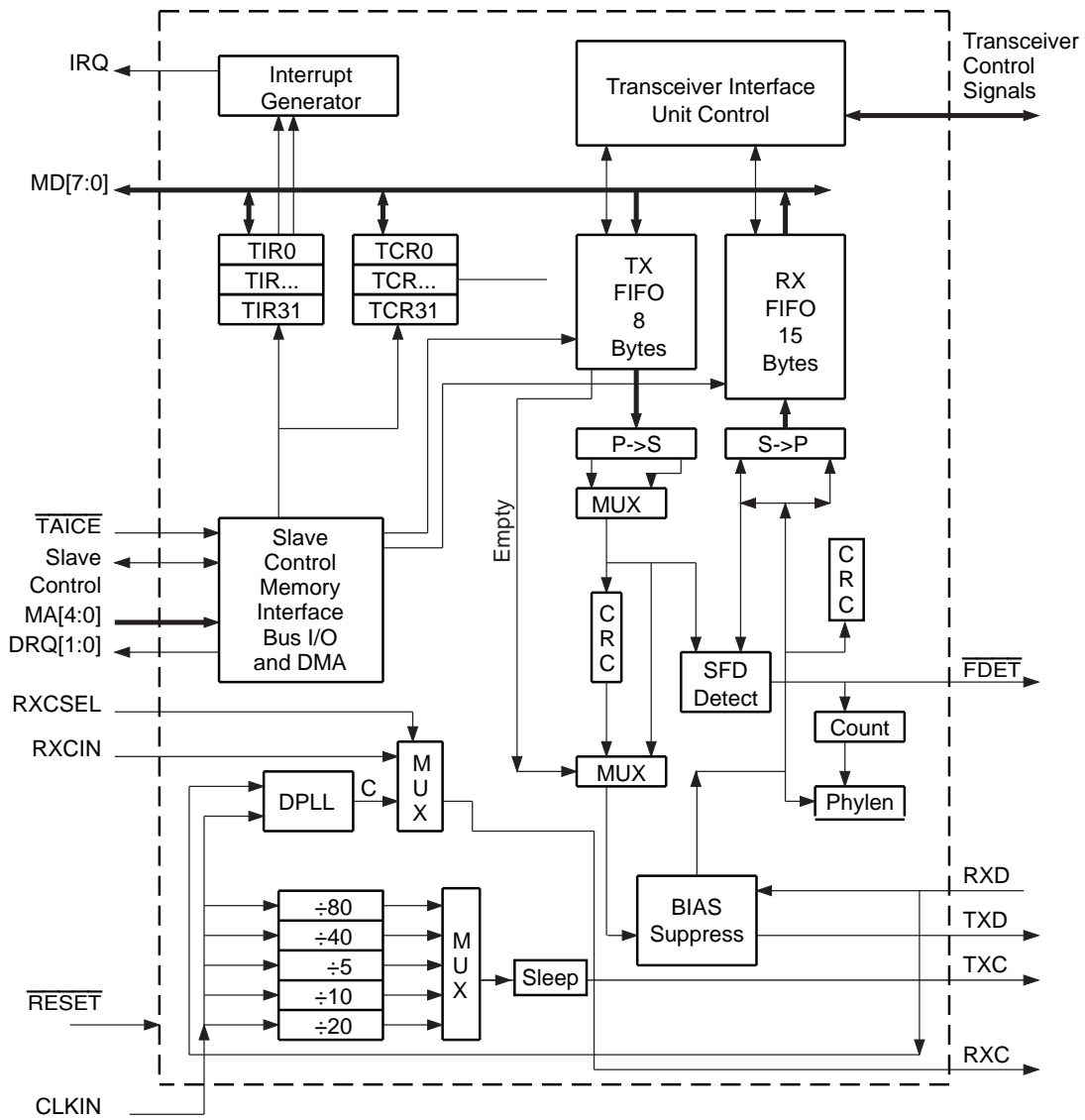
BLOCK DIAGRAM
Bus Interface Unit



20183B-2

BLOCK DIAGRAM

Transceiver Attachment Interface Unit



20183B-3

TABLE OF CONTENTS

DISTINCTIVE CHARACTERISTICS	1
GENERAL DESCRIPTION	1
ORDERING INFORMATION	2
BLOCK DIAGRAM	3
PCMCIA Mode	3
Bus Interface Unit	4
Transceiver Attachment Interface Unit	5
PCMCIA BLOCK DIAGRAM	12
PCMCIA CONNECTION DIAGRAM	13
PCMCIA PIN SUMMARY	14
Listed By Pin Number	14
PCMCIA PIN LIST	15
Listed By Pin Name	15
PCMCIA PIN FUNCTION SUMMARY	16
PCMCIA Pin Summary	16
ISA PLUG AND PLAY BLOCK DIAGRAM	19
CONNECTION DIAGRAM	20
ISA Plug And Play	20
ISA PLUG AND PLAY PIN LIST	21
Listed By Pin Number	21
Listed By Pin Name	22
ISA PLUG AND PLAY PIN SUMMARY	23
PIN DESCRIPTIONS	25
Pins with Internal Pull Up or Pull Down Devices	25
Configuration Pins	25
Host System Interface Pins	25
PCMCIA Bus Interface	26
ISA (IEEE P996) Bus interface	27
Memory Interface Pins	26
Clock Pins	29
System Management Pins	29
TAI Interface Pins	29
Other Pins	31
IEEE 1149.1 Test Access Port Pins	32
Power Supply Pins	32
Analog Power Supply Pins	32
Digital Power Supply Pins	32
Multi-Function Pins	33
Pin 1: USER2/LA19	34
Pin 2: USER3/SA16	34

Pin 3: USER4/LA17	34
Pin 45: STSCHG/BALE	34
Pin 90: USER0/RFRSH	34
Pin 91: USER1/IRQ12/EXTCTS/EXINT188	35
Pin 92: USER7/IRQ11	35
Pin 94: RXC/IRQ10/EXTA2DST	36
Pin 95: USER6/IRQ5/EXTSDF	36
Pin 96: USER5/IRQ4/EXTCHBSY	36
Pin 98: ACT	37
Pin 100: LNK	37
Pin 101: SDCLK	38
Pin 102: SDDATA	38
Pin 103: SDSEL3	38
Pin 105: SDSEL2	38
Pin 107: SDSEL1	38
Pin 115: TXC	39
Pin 118: LFPE	39
Pin 120: HFPE	39
Pin 122: RXPE	39
Pin 126: TXCMD	40
Pin 129: TXPE	40
Pin 131: TXMOD	40
Pin 132: ANTSLT	40
Pin 141: ANTSLT/LA23	40
Pin 142: TXCMD/LA21	41
Pin 143: TXDATA/LA20	41
Pin 144: LLOCKE/SA15	41
FUNCTIONAL DESCRIPTION	42
Basic Functions	42
System Bus Interface Function	42
Memory Bus Interface Function	42
Software Interface Function	42
Network Interface Function	42
Detailed Functions	42
Block Level Description	42
Bus Interface Unit	42
PCMCIA Interface	43
ISA (IEEE P996) Plug and Play Interface	44
Memory Interface	45
Embedded 80188	45
Media Access Management	45
Medium Allocation	46
Initialization	46
SRAM Memory Management	46
Flash Memory Management	47
Transceiver Attachment Interface Unit Management	47

Bus Interface Unit Interaction	47
Transceiver Attachment Interface Unit	47
TX FIFO	48
TX Power Ramp Control	48
Am79C930-based TX Power Ramp Control	48
Transceiver-Based TX Power Ramp Control	50
TX CRC Generation	50
TX Status	50
Start of Frame Delimiter Detection	50
RX Data Parallelization	50
RX FIFO	50
RX CRC Checking	50
RX Status Reporting	51
Bit Ordering	51
RSSI A/D Unit	51
Physical Header Accommodation	52
DC Bias Control	52
Baud Determination Logic	52
Clear Channel Assessment Logic	53
Automatic Antenna Diversity Logic	54
TXC As Input	55
IEEE 1149.1 Test Access Port Interface	55
Boundary Scan Circuit	56
TAP FSM	56
Supported Instructions	56
Instruction Register and Decoding Logic	56
Boundary Scan Register (BSR)	56
Other Data Registers	56
Power Saving Modes	56
Power Down Function	56
Applicability to IEEE 802.11 Power Down Modes	58
Software Access	58
Am79C930 System Interface Resources	58
PCMCIA Mode Resources	58
PCMCIA Attribute Memory Resources.	61
PCMCIA I/O Resources.	62
ISA Plug and Play Mode Resources	63
ISA Plug and Play Memory Resources	64
ISA Plug and Play I/O Resources.	66
ISA Plug and Play Register Set.	68
MAC Firmware Resources	70
MAC (80188 core) Memory Resources	70
MAC (80188 core) Memory Resources Restrictions	72
MAC (80188 core) Interrupt Channel Allocation	72
MAC (80188 core) DMA Channel Allocation	72
DMA Channel Allocation In The 80188 Core	73
Loopback Operation	73

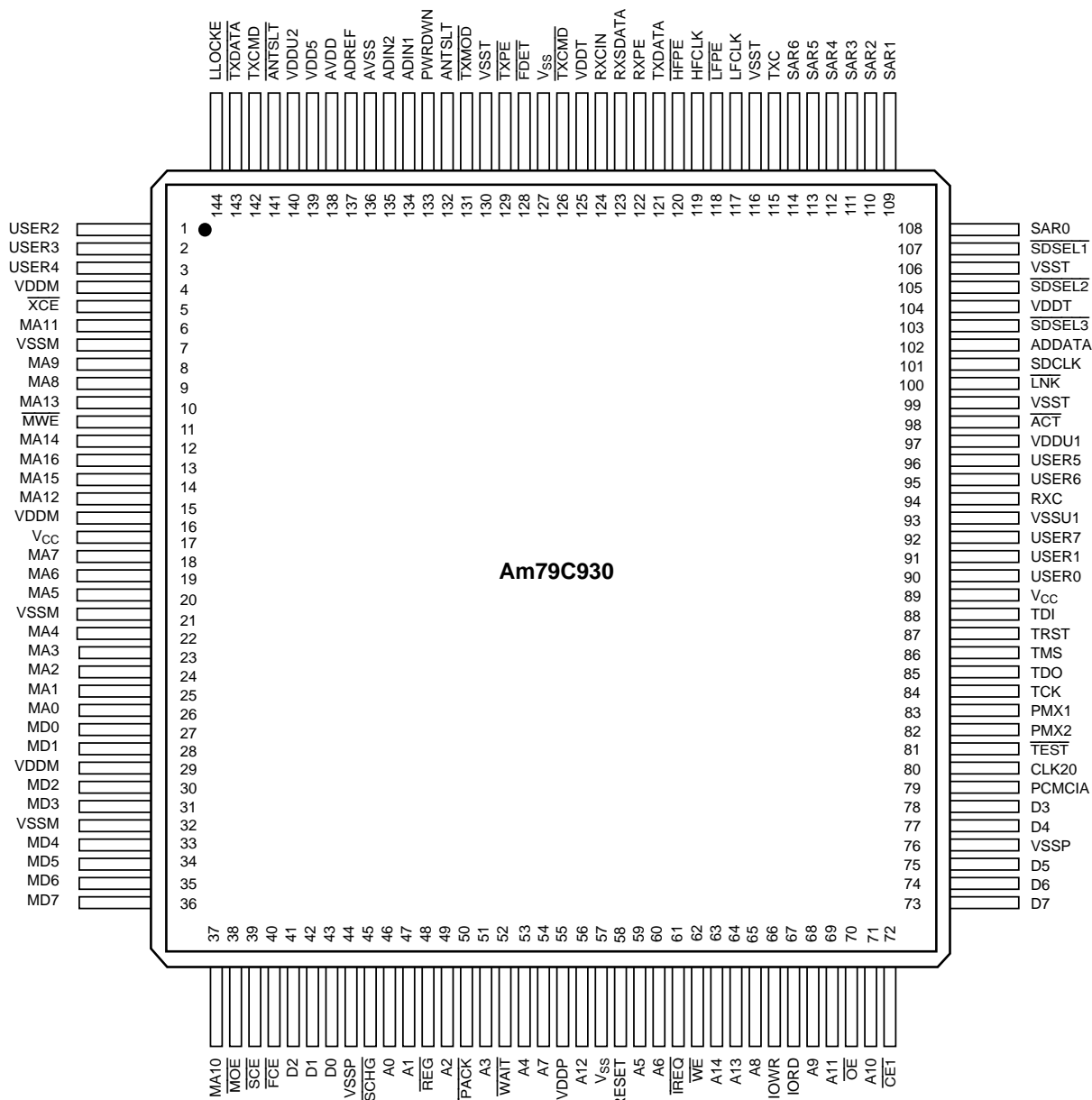
LED Support	73
RESET Methods	73
RESET Pin	73
SWRESET (SIR0[7])	73
CORESET (SIR0[6])	74
PCMCIA COR SRESET	74
ISA PnP RESET	75
SRES (TIR0[5])	75
REGISTER DESCRIPTIONS	75
System Interface Registers (SIR space)	76
SIR0: General Configuration Register (GCR)	77
SIR1: Bank Switching Select Register (BSS)	78
SIR2: Local Memory Address Register [7:0] (LMA)	79
SIR3: Local Memory Address Register [14:8] (LMA)	79
SIR4: I/O Data Port A (IODPA)	79
SIR5: I/O Data Port B (IODPB)	80
SIR6: I/O Data Port C (IODPC)	80
SIR7: I/O Data Port D (IODPD)	80
MAC Interface Registers (MIR Space)	80
MIR0: Processor Interface Register (PIR)	80
MIR1: Power Up Clock Time [3:0] (PUCT)	81
MIR2: Power Down Length Count [7:0] (PDLC)	81
MIR3: Power Down Length Count [15:8] (PDLC)	81
MIR4: Power Down Length Count [22:16] (PDLC)	82
MIR5: Free Count [7:0] (FCNT)	82
MIR6: Free Count [15:8] (FCNT)	82
MIR7: Free Count [23:16] (FCNT)	82
MIR8: Flash Wait States	82
MIR9: TCR Mask STSCHG Data	83
MIR10: Reserved	85
MIR11: Reserved	85
MIR12: Reserved	85
MIR13: Reserved	85
MIR14: Reserved	85
MIR15: Reserved	85
Transceiver Attachment Interface Registers (TIR Space)	86
TIR0: Network Control	89
TIR1: Network Status	89
TIR2: Serial Device	90
TIR3: Fast Serial Port Control	91
TIR4: Interrupt Register 1	91
TIR5: Interrupt Register	92
TIR6: Interrupt Unmask Register 1	93
TIR7: Interrupt Unmask Register 2	93
TIR8: Transmit Control	94
TIR9: Transmit Status	94

TIR10: TX FIFO Data Register	95
TIR11: Transmit Sequence Control	95
TIR12: Byte Count Register LSB	96
TIR13: Byte Count Register MSB	97
TIR14: Byte Count Limit LSB	97
TIR15: Byte Count Limit MSB	97
TIR16: Receiver Control	98
TIR17: Receive Status Register	98
TIR18: RX FIFO Data Register	99
TIR19: Reserved	98
TIR20: CRC32 Correct Byte Count LSB	99
TIR21: CRC32 Correct Byte Count MSB	99
TIR22: CRC8 Correct Byte Count LSB	100
TIR23: CRC8 Correct Byte Count MSB	100
TIR24: TCR Index Register	100
TIR25: Configuration Data Port	101
TIR26: Antenna Diversity and A/D Control	101
TIR27: Serial Approximation Register	102
TIR28: RSSI Lower Limit	102
TIR29: USER Pin Data	103
TIR30: Test Dummy Register	103
TIR31: TEST	103
TAI Configuration Register space (TCR)	103
TCR0: Network Configuration	104
TCR1: Transmit Configuration	104
TCR2: Clock Recovery	105
TCR3: Receive Configuration	106
TCR4: Antenna Diversity Timer	106
TCR5: TX Ramp Up Timing	107
TCR6: TX Ramp Down Timing	108
TCR7: Pin Data A	108
TCR8: Start Delimiter LSB	109
TCR9: Start Delimiter CSB	110
TCR10: Start Delimiter MSB	110
TCR11: Interrupt Register 3	110
TCR12: Interrupt Unmask Register 3	111
TCR13: Pin Configuration A	111
TCR14: Pin Configuration B	112
TCR15: Pin Configuration C	113
TCR16: Baud Detect Start	114
TCR17: Baud Detect Lower Limit	115
TCR18: Baud Detect Upper Limit	115
TCR19: Baud Detect Accept Count for Carrier Sense	116
TCR20: Baud Detect Accept Count for Stop Diversity	116
TCR21: Baud Detect Ratio	116
TCR22: Baud Detect Accept Count	117
TCR23: Baud Detect Fail Count	117

TCR24: RSSI Sample Start	117
TCR25: RSSI Configuration	118
TCR26: Reserved	119
TCR27: TIP LED Scramble	120
TCR28: Clear Channel Assessment Configuration	121
TCR29: Reserved	122
TCR30: Pin Function and Data Rate	122
TCR31: Device Revision	123
PCMCIA CCR Registers and PCMCIA CIS Space	124
PCMCIA Card Configuration and Status Register	124
PCMCIA Card Information Structure (CIS)	125
ABSOLUTE MAXIMUM RATINGS	126
OPERATING RANGES	126
DC CHARACTERISTICS	126
5.0 V Am79C930 DC Characteristics	126
3.3 V Am79C930 DC Characteristics	128
IEEE 1149.1 DC Characteristics (5.0 and 3.3 V)	130
ABSOLUTE MAXIMUM RATINGS	131
OPERATING RANGES	131
AC CHARACTERISTICS	131
5.0 and 3.3 V PCMCIA Interface AC Characteristics	131
PCMCIA MEMORY READ ACCESS	131
PCMCIA MEMORY WRITE ACCESS	132
PCMCIA I/O READ ACCESS	133
PCMCIA I/O WRITE ACCESS	134
5.0 AND 3.3 V ISA INTERFACE AC CHARACTERISTICS	135
ISA ACCESS	136
5.0 V MEMORY BUS INTERFACE AC CHARACTERISTICS	137
MEMORY BUS READ ACCESS	137
MEMORY BUS WRITE ACCESS	138
3.3 V MEMORY BUS INTERFACE AC CHARACTERISTICS	139
MEMORY BUS READ ACCESS	139
MEMORY BUS WRITE ACCESS	140
5.0 V TAI INTERFACE AC CHARACTERISTICS	141
3.3 V TAI INTERFACE AC CHARACTERISTICS	144
5.0 AND 3.3 V USER PROGRAMMABLE PINS AC CHARACTERISTICS	146
5.0 AND 3.3 V IEEE 1149.1 INTERFACE AC CHARACTERISTICS	147
ANALOG-TO-DIGITAL (A/D) CONVERTER CHARACTERISTICS	147

TIMING WAVEFORMS	148
PCMCIA Bus Interface Waveforms	148
ISA Bus Interface Waveforms	150
Memory Bus Interface Waveforms	151
CLOCK WAVEFORMS	152
TAI WAVEFORMS	153
PROGRAMMABLE INTERFACE WAVEFORMS	154
IEEE 1149.1 INTERFACE WAVEFORMS	155
AC TEST REFERENCE WAVEFORMS	156
5.0 V PCMCIA AC Test Reference Waveform	156
3.3 V PCMCIA AC Test Reference Waveform	156
5.0 V NON-PCMCIA AC Test Reference Waveform	157
3.3 V NON-PCMCIA AC Test Reference Waveform	157
PHYSICAL DIMENSIONS	158
APPENDIX A: Typical Am79C930 System Application	A-1
Device Configuration	A-1
Frame Transmission	A-2
Frame Reception	A-2

PCMCIA CONNECTION DIAGRAM



20183B-4

Notes:

Pin 1 is marked for orientation.

NC = No Connection

PCMCIA PIN SUMMARY

Listed by Pin Number

Pin No.	Pin Name	Pin No.	Pin Name	Pin No.	Pin Name	Pin No.	Pin Name
1	USER2	37	MA10	73	D7	109	SAR1
2	USER3	38	MOE	74	D6	110	SAR2
3	USER4	39	SCE	75	D5	111	SAR3
4	VDDM	40	FCE	76	VSSP	112	SAR4
5	XCE	41	D2	77	D4	113	SAR5
6	MA11	42	D1	78	D3	114	SAR6
7	VSSM	43	D0	79	PCMCIA	115	TXC
8	MA9	44	VSSP	80	CLK20	116	VSST
9	MA8	45	STSCHG	81	TEST	117	LFCLK
10	MA13	46	A0	82	PMX2	118	LFPE
11	MWE	47	A1	83	PMX1	119	HFCLK
12	MA14	48	REG	84	TCK	120	HFPE
13	MA16	49	A2	85	TDO	121	TXDATA
14	MA15	50	INPACK	86	TMS	122	RXPE
15	MA12	51	A3	87	TRST	123	RXDATA
16	VDDM	52	WAIT	88	TDI	124	RXCIN
17	V _{CC}	53	A4	89	V _{CC}	125	VDDT
18	MA7	54	A7	90	USER0	126	TXCMD
19	MA6	55	VDDP	91	USER1	127	V _{SS}
20	MA5	56	A12	92	USER7	128	FDET
21	VSSM	57	V _{SS}	93	VSSU1	129	TXPE
22	MA4	58	RESET	94	RXC	130	VSST
23	MA3	59	A5	95	USER6	131	TXMOD
24	MA2	60	A6	96	USER5	132	ANTSLT
25	MA1	61	IREQ	97	VDDU1	133	PWRDWN
26	MA0	62	WE	98	ACT	134	ADIN1
27	MD0	63	A14	99	VSST	135	ADIN2
28	MD1	64	A13	100	LNK	136	AVSS
29	VDDM	65	A8	101	SDCLK	137	ADREF
30	MD2	66	IOWR	102	SDDATA	138	AVDD
31	MD3	67	IORD	103	SDSEL3	139	VDD5
32	VSSM	68	A9	104	VDDT	140	VDDU2
33	MD4	69	A11	105	SDSEL2	141	ANTSLT
34	MD5	70	OE	106	VSST	142	TXCMD
35	MD6	71	A10	107	SDSEL1	143	TXDATA
36	MD7	72	CE1	108	SAR0	144	LLOCKE

PCMCIA PIN LIST

Listed by Pin Name

Pin Name	Pin No.	Pin Name	Pin No.	Pin Name	Pin No.	Pin Name	Pin No.
A0	46	HFPE	120	OE	70	TXMOD	131
A1	47	INPACK	50	PCMCIA	79	TXPE	129
A10	71	IORD	67	PMX1	83	USER0	90
A11	69	IOWR	66	PMX2	82	USER1	91
A12	56	IREQ	61	PWRDWN	133	USER2	1
A13	64	LFCLK	117	REG	48	USER3	2
A14	63	LFPE	118	RESET	58	USER4	3
A2	49	LLOCKE	144	RXC	94	USER5	96
A3	51	LNK	100	RXCIN	124	USER6	95
A4	53	MA0	26	RXDATA	123	V _{CC}	17
A5	59	MA1	25	RXPE	122	V _{CC}	89
A6	60	MA10	37	SAR0	108	VDD5	139
A7	54	MA11	6	SAR1	109	VDDM	4
A8	65	MA12	15	SAR2	110	VDDM	16
A9	68	MA13	10	SAR3	111	VDDM	29
ACT	98	MA14	12	SAR4	112	VDDP	55
ADIN1	134	MA15	14	SAR5	113	VDDT	104
ADIN2	135	MA16	13	SAR6	114	VDDT	125
ADREF	137	MA2	24	SCE	39	VDDU1	97
ANTSLT	132	MA3	23	SDCLK	101	VDDU2	140
ANTSLT	141	MA4	22	SDDATA	102	V _{SS}	57
AVDD	138	MA5	20	SDSEL1	107	V _{SS}	127
AVSS	136	MA6	19	SDSEL2	105	VSSM	7
CE1	72	MA7	18	SDSEL3	103	VSSM	21
CLK20	80	MA8	9	STSCHG	45	VSSM	32
D0	43	MA9	8	TCK	84	VSSP	44
D1	42	MD0	27	TDI	88	VSSP	76
D2	41	MD1	28	TDO	85	VSST	99
D3	78	MD2	30	TEST	81	VSST	106
D4	77	MD3	31	TMS	86	VSST	116
D5	75	MD4	33	TRST	87	VSST	130
D6	74	MD5	34	TXC	115	VSSU1	93
D7	73	MD6	35	TXCMD	126	WAIT	52
FCE	40	MD7	36	TXCMD	142	USER7	92
FDET	128	MOE	38	TXDATA	121	WE	62
HFCLK	119	MWE	11	TXDATA	143	XCE	5

PCMCIA PIN FUNCTION SUMMARY

PCMCIA Pin Summary

No. of Pins	Pin Name	Pin Function	Pin Style
15	A14–A0	PCMCIA address bus lines	I
8	D7–D0	PCMCIA data bus lines	TS2
1	RESET	PCMCIA bus RESET line	I
1	$\overline{CE1}$	Card Enable 1—used to enable the D7–0 pins for PCMCIA Read and Write accesses	I
1	\overline{OE}	Output Enable—used to enable the output drivers of the Am79C930 device for PCMCIA Read accesses	I
1	\overline{WE}	Write Enable—used to indicate that the current PCMCIA cycle is a write access	I
1	\overline{REG}	REG—used to indicate that the current PCMCIA cycle is to the Attribute Memory space of the Am79C930 device	I
1	\overline{INPACK}	Input Acknowledge—used to indicate that the Am79C930 device will respond to the current I/O read cycle	TS1
1	\overline{WAIT}	Wait—used to delay the termination of the current PCMCIA cycle	TS2
1	\overline{IORD}	I/O Read—this signal is asserted by the PCMCIA host system whenever an I/O read operation occurs	
1	\overline{IOWR}	I/O Write—this signal is asserted by the PCMCIA host system whenever an I/O write operation occurs	I
1	\overline{IREQ}	Interrupt Request—this line is asserted when the Am79C930 device needs servicing from the software	PTS3
1	\overline{STSCHG}	Status Change—PCMCIA output used only for WAKEUP signaling	PTS1
1	PCMCIA	PCMCIA mode—selects PCMCIA or ISA Plug and Play mode	I
1	PWRDWN	Powerdown—indicates that device is in the power down mode	TP1
17	MA16–0	Memory Address Bus—these lines are used to address locations in the Flash device, the SRAM device, and an extra peripheral device that are contained within an Am79C930-based design	TP1
8	MD7–0	Memory Data Bus—these lines are used to write and read data to/from Flash, SRAM, and/or an extra peripheral device within an Am79C930-based design	TS1
1	\overline{FCE}	Flash Chip Enable—this signal becomes asserted when the Flash device has been addressed by either the 80188 core of the Am79C930 device or by the software through the PCMCIA interface	TP1
1	\overline{SCE}	SRAM Chip Enable—this signal becomes asserted when the SRAM device has been addressed by either the 80188 core of the Am79C930 device or by the software through the PCMCIA interface	TP1
1	\overline{XCE}	eXtra Chip Enable—this signal becomes asserted when the extra peripheral device has been addressed by the 80188 core of the Am79C930 device (XCE is not accessible through the system interface)	TP1
1	\overline{MOE}	Memory Output Enable—this signal becomes asserted during reads of devices located on the memory interface bus	TP1
1	\overline{MWE}	Memory Write Enable—this signal becomes asserted during writes to devices located on the memory interface bus	TP1
1	TCK	Test Clock—this is the clock signal for IEEE 1149.1 testing	I
1	TDI	Test Data In—this is the data input signal for IEEE 1149.1 testing	I

PCMCIA PIN FUNCTION SUMMARY (continued)

PCMCIA Pin Summary (continued)

No. of Pins	Pin Name	Pin Function	Pin Style
1	TDO	Test Data Out—this is the data output signal for IEEE 1149.1 testing	TS1
1	TMS	Test Mode Select—this is the test mode select for IEEE 1149.1 testing	I
1	$\overline{\text{TRST}}$	Test Reset—this is the reset signal for IEEE 1149.1 testing	I
1	USER7	User-programmable pin	PTS3
1	RXC	Receive Clock—provides decode receive clock	PTS3
1	$\overline{\text{TEST}}$	Test pin—when asserted, this pin places the Am79C930 device into a nonstandard factory-only test mode	I
1	CLKIN	Clock input to drive BIU, 80188 core, and TAI, supplying network data rate information	I
2	PMX1–2	Power Management Xtal—32-kHz Xtal input for sleep timer reference	I/XO
1	TXC	Transmit Clock—may be configured either as input or output	TS1
1	$\overline{\text{LFPE}}$	Low Frequency Power Enable—used to power up the low-frequency section of the transceiver	PTS1
1	LFCLK	Low Frequency Clock—a reference signal for the transceiver synthesizer	TS1
1	LLOCKE	Low Frequency Synthesizer Lock—a programmable signal	PTS1
1	$\overline{\text{HFPE}}$	High Frequency Power Enable—used to power up the high-frequency section of the transceiver	PTS1
1	HFCLK	High Frequency Clock—a reference signal for the transceiver synthesizer	TS1
2	ANTSLT, $\overline{\text{ANTSLT}}$	Antenna Select—used to select between two antennas	PTS1
2	$\overline{\text{TXCMD}}$, TXCMD	Transmit Command—used to select the transmit path in the transceiver	TP1, PTS1
1	$\overline{\text{TXPE}}$	Transmit Power Enable—used to power up the transmit section of the transceiver	TP1
2	TXDATA, $\overline{\text{TXDATA}}$	Transmit Data—supplies the transmit data stream to the transceiver	TP1, PTS1
1	$\overline{\text{TXMOD}}$	Transmit Modulation Enable—enables the modulation of transmit data	TP1
1	$\overline{\text{RXPE}}$	Receive Power Enable—enables the receive function of the transceiver	PTS1
1	RXDATA	Receive Data—accepts receive data in NRZ format from the transceiver	I
1	$\overline{\text{FDET}}$	Frame Detect—start of frame delimiter detection indication	TS1
1	RXCIN	Receive Clock Input—optional clock input that allows for an external PLL	IPU
1	SDCLK	Serial Data Clock—clock output used to access serial peripheral devices	PTS1
1	SDDATA	Serial Data Data—data pin used to access serial peripheral devices	PTS1
3	$\overline{\text{SDSEL3}}$ – $\overline{\text{SDSEL1}}$	Serial Data Select—chip select outputs used to select serial peripheral devices	PTS1
1	$\overline{\text{ACT}}$	Activity LED—output capable of driving an LED	PTS2
1	$\overline{\text{LNK}}$	Link LED—output capable of driving an LED	PTS2
1	ADREF	A/D Reference—an input that can be used to set the analog reference voltage for the internal A/D converter	I
7	SAR6–SAR0	Serial Approximation Register—supplies the value of the serial approximation register used in the A/D converter	TS1

PCMCIA PIN FUNCTION SUMMARY (continued)**PCMCIA Pin Summary (continued)**

No. of Pins	Pin Name	Pin Function	Pin Style
2	ADIN1–2	Comparator—A/D comparator inputs	TS1
12	V _{CC}	Power	I
13	GND	Ground	I
7	USER0–USER6	User-definable I/O pins with direct accessibility and control through TCR and TIR registers	PTS3, PTS1

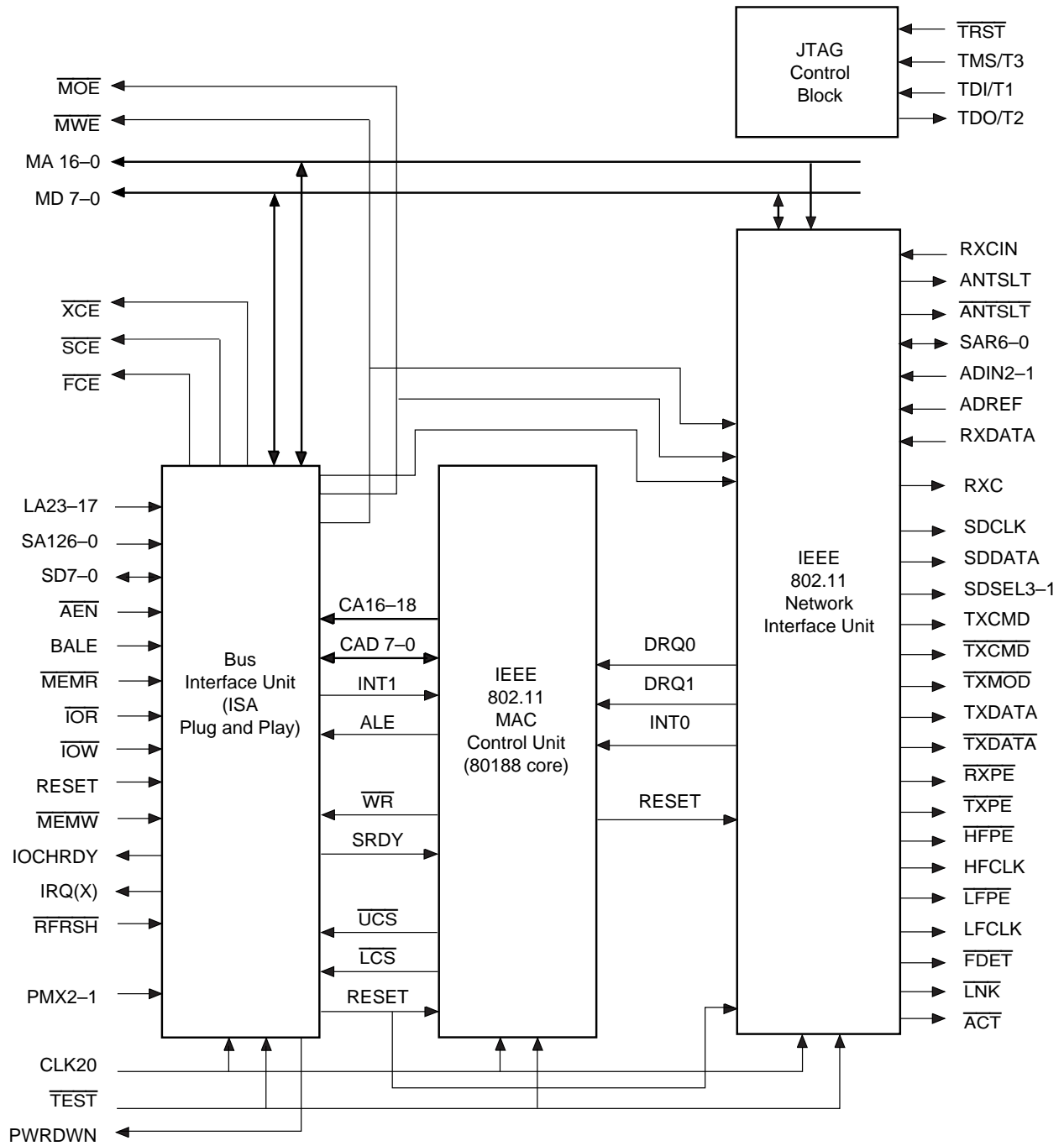
Output Driver Types

Name	Type	I _{OL}	I _{OH}	Load
TP1	Totem pole	4 mA	–4 mA	50 pF
TS1	Tri-state	4 mA	–4 mA	50 pF
TS2	Tri-state	24 mA	–4 mA	120 pF
PTS1	User-programmable tri-state	4 mA	–4 mA	50 pF
PTS2	User-programmable tri-state	12 mA	–4 mA	50 pF
PTS3	User-programmable tri-state	24 mA	–4 mA	120 pF
OD2	Open drain	24 mA	–4 mA	120 pF
XO	Xtal amplifier output	NA	NA	50 pF

Input Types

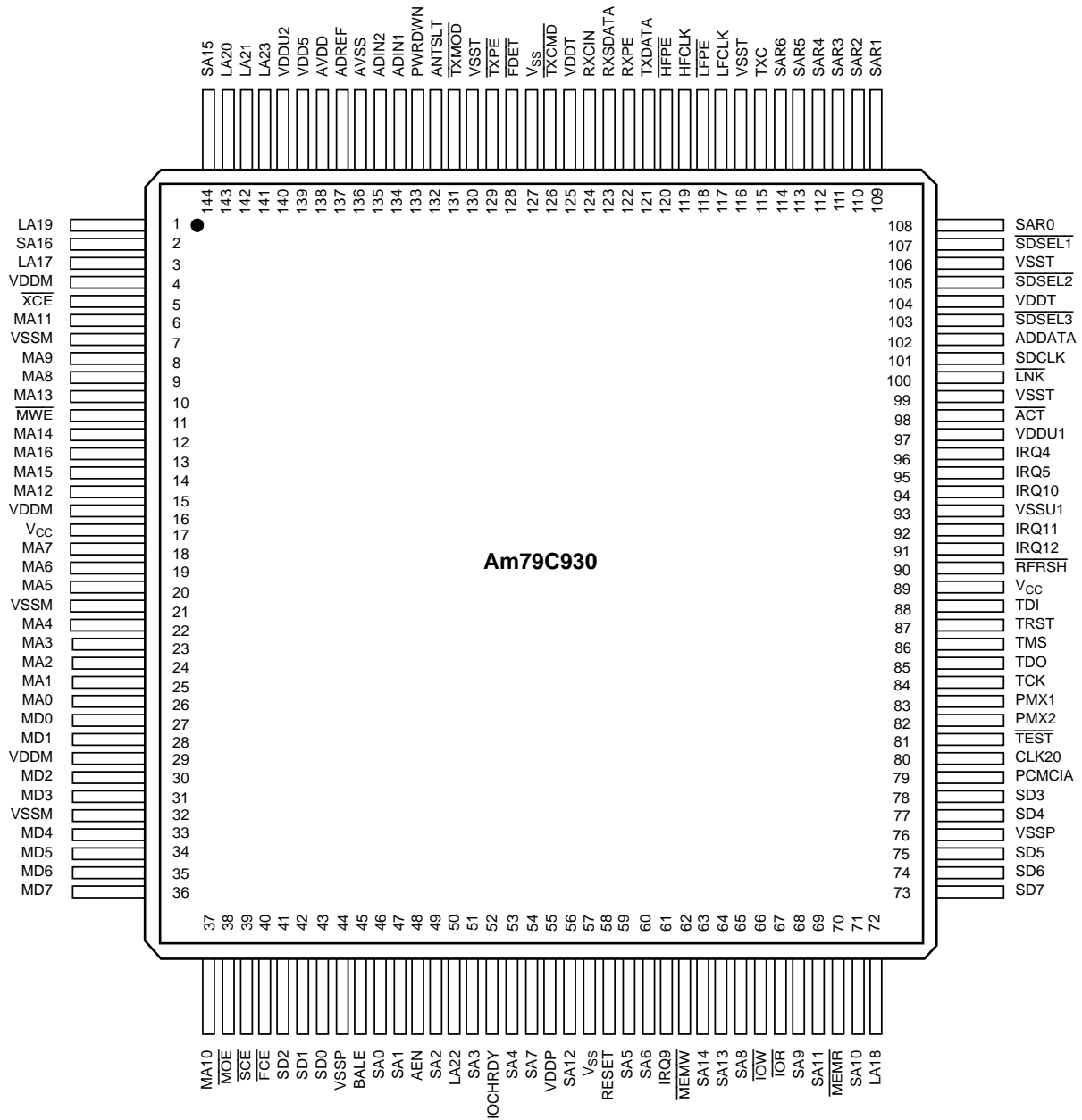
Name	Type	Size of Pullup	Size of Pulldown
I	Input	NA	NA
IPU	Input with internal pullup device	>50K Ω	NA
IPD	Input with internal pulldown device	NA	>50K Ω

ISA PLUG AND PLAY BLOCK DIAGRAM



20183B-5

ISA PLUG AND PLAY CONNECTION DIAGRAM



20183B-6

Notes:

Pin 1 is marked for orientation.

NC = No Connection

ISA PLUG AND PLAY PIN LIST

Listed by Pin Number

Pin No.	Pin Name	Pin No.	Pin Name	Pin No.	Pin Name	Pin No.	Pin Name
1	LA19	37	MA10	73	SD7	109	SAR1
2	SA16	38	MOE	74	SD6	110	SAR2
3	LA17	39	SCE	75	SD5	111	SAR3
4	VDDM	40	FCE	76	VSSP	112	SAR4
5	XCE	41	SD2	77	SD4	113	SAR5
6	MA11	42	SD1	78	SD3	114	SAR6
7	VSSM	43	SD0	79	PCMCIA	115	TXC
8	MA9	44	VSSP	80	CLK20	116	VSST
9	MA8	45	BALE	81	TEST	117	LFCLK
10	MA13	46	SA0	82	PMX2	118	LFPE
11	MWE	47	SA1	83	PMX1	119	HFCLK
12	MA14	48	AEN	84	TCK	120	HFPE
13	MA16	49	SA2	85	TDO	121	TXDATA
14	MA15	50	LA22	86	TMS	122	RXPE
15	MA12	51	SA3	87	TRST	123	RXDATA
16	VDDM	52	IOCHRDY	88	TDI	124	RXCIN
17	V _{CC}	53	SA4	89	V _{CC}	125	VDDT
18	MA7	54	SA7	90	RFRSH	126	TXCMD
19	MA6	55	VDDP	91	IRQ12	127	V _{SS}
20	MA5	56	SA12	92	IRQ11	128	FDET
21	VSSM	57	V _{SS}	93	VSSU1	129	TXPE
22	MA4	58	RESET	94	IRQ10	130	VSST
23	MA3	59	SA5	95	IRQ5	131	TXMOD
24	MA2	60	SA6	96	IRQ4	132	ANTSLT
25	MA1	61	IRQ9	97	VDDU1	133	PWRDWN
26	MA0	62	MEMW	98	ACT	134	ADIN1
27	MD0	63	SA14	99	VSST	135	ADIN2
28	MD1	64	SA13	100	LNK	136	AVSS
29	VDDM	65	SA8	101	SDCLK	137	ADREF
30	MD2	66	IOW	102	SDDATA	138	AVDD
31	MD3	67	IOR	103	SDSEL3	139	VDD5
32	VSSM	68	SA9	104	VDDT	140	VDDU2
33	MD4	69	SA11	105	SDSEL2	141	LA23
34	MD5	70	MEMR	106	VSST	142	LA21
35	MD6	71	SA10	107	SDSEL1	143	LA20
36	MD7	72	LA18	108	SAR0	144	SA15

ISA PLUG AND PLAY PIN LIST

Listed by Pin Name

Pin Name	Pin No.	Pin Name	Pin No.	Pin Name	Pin No.	Pin Name	Pin No.
ACT	98	MA11	6	SA1	47	SDSEL2	105
ADIN1	134	MA12	15	SA10	71	SDSEL3	103
ADIN2	135	MA13	10	SA11	69	TCK	84
ADREF	137	MA14	12	SA12	56	TDI	88
AEN	48	MA15	14	SA12	56	TDO	85
ANTSLT	132	MA16	13	SA13	64	TEST	81
AVDD	138	MA2	24	SA14	63	TMS	86
AVSS	136	MA3	23	SA15	144	TRST	87
BALE	45	MA4	22	SA16	2	TXC	115
CLK20	80	MA5	20	SA2	49	TXCMD	126
FCE	40	MA6	19	SA3	51	TXDATA	121
FDET	128	MA7	18	SA4	53	TXMOD	131
HFCLK	119	MA8	9	SA5	59	TXPE	129
HFPE	120	MA9	8	SA6	60	V _{CC}	17
IOCHRDY	52	MD0	27	SA7	54	V _{CC}	89
IOR	67	MD1	28	SA8	65	VDD5	139
IOW	66	MD2	30	SA9	68	VDDM	4
IRQ10	94	MD3	31	SAR0	108	VDDM	16
IRQ11	92	MD4	33	SAR1	109	VDDM	29
IRQ12	91	MD5	34	SAR2	110	VDDP	55
IRQ4	96	MD6	35	SAR3	111	VDDT	104
IRQ5	95	MD7	36	SAR4	112	VDDT	125
IRQ9	61	MEMR	70	SAR5	113	VDDU1	97
LA17	3	MEMW	62	SAR6	114	VDDU2	140
LA18	72	MOE	38	SCE	39	V _{SS}	57
LA19	1	MWE	11	SD0	43	V _{SS}	127
LA20	143	PCMCIA	79	SD1	42	VSSM	7
LA21	142	PMX1	83	SD2	41	VSSM	32
LA22	50	PMX2	82	SD3	78	VSSP	44
LA23	141	PWRDWN	133	SD4	77	VSSP	76
LFCLK	117	RESET	58	SD5	75	VSST	99
LFPE	118	RFRSH	90	SD6	74	VSST	106
LNK	100	RXCIN	124	SD7	73	VSST	116
MA0	26	RXDATA	123	SDCLK	101	VSST	130
MA1	25	RXPE	122	SDDATA	102	VSSU1	93
MA10	37	SA0	46	SDSEL1	107	XCE	5

ISA PLUG AND PLAY PIN SUMMARY

No. of Pins	Pin Name	Pin Function	Pin Style
7	LA23–LA17	ISA upper address bus lines	I
17	SA16–SA0	ISA lower address bus lines	I
8	SD7–SD0	ISA data bus lines	TS2
1	RESET	RESET input	I
1	MEMR	Memory Read—used to enable the output drivers of the Am79C930 device for ISA bus memory read accesses	I
1	MEMW	Memory Write—used to indicate that the current ISA bus cycle is a memory write access	I
1	AEN	Address Enable—used to indicate that the current ISA bus I/O address is valid	I
1	BALE	Bus Address Latch Enable—used to indicate that the ISA address lines are valid	I
1	IOCHRDY	I/O Channel Ready—used to delay the termination of the current ISA bus cycle	TS2
1	IOR	I/O Read—this signal is asserted by the ISA host system whenever an I/O read operation occurs	I
1	IOW	I/O Write—this signal is asserted by the ISA host system whenever an I/O write operation occurs	I
6	IRQ4, 5, 9, 10, 11, 12	Interrupt Request—this line is asserted when the Am79C930 device needs servicing from the software	PTS3/OD2
1	RFRSH	Refresh—indicates that the current ISA bus cycle is a refresh operation	I
1	PCMCIA	PCMCIA mode—selects PCMCIA or ISA Plug and Play mode	I
1	PWRDWN	Powerdown—indicates that device is in the power down mode	TP1
17	MA16–0	Memory Address Bus—these lines are used to address locations in the Flash device, the SRAM device, and an extra peripheral device that are contained within an Am79C930-based design	TP1
8	MD7–0	Memory Data Bus—these lines are used to write and read data to/from Flash, SRAM, and/or an extra peripheral device within an Am79C930-based design	TS1
1	FCE	Flash Chip Enable—this signal becomes asserted when the Flash device has been addressed by either the 80188 core of the Am79C930 device or by the software through the PCMCIA interface	TP1
1	SCE	SRAM Chip Enable—this signal becomes asserted when the SRAM device has been addressed by either the 80188 core of the Am79C930 device or by the software through the PCMCIA interface	TP1
1	XCE	eXtra Chip Enable—this signal becomes asserted when the extra peripheral device has been addressed by the 80188 core of the Am79C930 device (XCE is not accessible through the system interface)	TP1
1	MOE	Memory Output Enable—this signal becomes asserted during reads of devices located on the memory interface bus	TP1
1	MWE	Memory Write Enable—this signal becomes asserted during writes to devices located on the memory interface bus	TP1
1	TCK	Test Clock—this is the clock signal for IEEE 1149.1 testing	I
1	TDI	Test Data In—this is the data input signal for IEEE 1149.1 testing	I
1	TDO	Test Data Out—this is the data output signal for IEEE 1149.1 testing	TS1
1	TMS	Test Mode Select—this is the test mode select for IEEE 1149.1 testing	I
1	TRST	Test Reset—this is the reset signal for IEEE 1149.1 testing	I
1	TEST	Test pin—when asserted, this pin places the Am79C930 device into a non-IEEE 1149.1 test mode	I
1	CLKIN	Clock input to drive BIU, 80188 core, and TAI, supplying network data rate information	I
2	PMX1–2	Power Management Xtal—32-kHz Xtal input for sleep timer reference	I/XO

ISA PLUG AND PLAY PIN SUMMARY (continued)

No. of Pins	Pin Name	Pin Function	Pin Style
1	TXC	Transmit Clock—may be configured either as input or output	TS1
1	LFPE	Low Frequency Power Enable—used to power up the low-frequency section of the transceiver	PTS1
1	LFCLK	Low Frequency Clock—a reference signal for the transceiver synthesizer	TS1
1	HFPE	High Frequency Power Enable—used to power up the high-frequency section of the transceiver	PTS1
1	HFCLK	High Frequency Clock—a reference signal for the transceiver synthesizer	TS1
1	ANTSLT	Antenna Select—used to select between two antennas	PTS1
1	TXCMD	Transmit Command—used to select the transmit path in the transceiver	TP1
1	TXPE	Transmit Power Enable—used to power up the transmit section of the transceiver	TP1
1	TXDATA	Transmit Data—supplies the transmit data stream to the transceiver	TP1
1	TXMOD	Transmit Modulation Enable—enables the modulation of transmit data	TP1
1	RXPE	Receive Power Enable—enables the receive function of the transceiver	PTS1
1	RXDATA	Receive Data—accepts receive data in NRZ format from the transceiver	I
1	FDET	Frame Detect—start of frame delimiter detection indication	TS1
1	RXCIN	Receive Clock Input—optional clock input that allows for an external PLL	IPU
1	SDCLK	Serial Data Clock—clock output used to access serial peripheral devices	PTS1
1	SDDATA	Serial Data Data—data pin used to access serial peripheral devices	PTS1
3	SDSEL3–SDSEL1	Serial Data Select—chip select outputs used to select serial peripheral devices	PTS1
1	ACT	Activity LED—output capable of driving an LED	PTS2
1	LNK	Link LED—output capable of driving an LED	PTS2
1	ADREF	A/D Reference—an input that can be used to set the analog reference voltage for the internal A/D converter	I
7	SAR6–SAR0	Serial Approximation Register—supplies the value of the serial approximation register used in the A/D converter	TS1
2	ADIN1–2	Comparator—A/D comparator inputs	TS1
12	V _{CC}	Power	I
13	GND	Ground	I

Output Driver Types

Name	Type	I _{OL}	I _{OH}	load
TP1	Totem pole	4 mA	–4 mA	50 pF
TS1	Tri-state	4 mA	–4 mA	50 pF
TS2	Tri-state	24 mA	–4 mA	120 pF
PTS1	User-programmable tri-state	4 mA	–4 mA	50 pF
PTS2	User-programmable tri-state	12 mA	–4 mA	50 pF
PTS3	User-programmable tri-state	24 mA	–4 mA	120 pF
OD2	Open drain	24 mA	–4 mA	120 pF
XO	Xtal amplifier	Output	NA	NA

Input Types

Name	Type	Size of Pullup	Size of Pulldown
I	Input	NA	NA
IPU	Input with internal pullup device	>50K Ω	NA
IPD	Input with internal pulldown device	NA	>50K Ω

PIN DESCRIPTIONS

Pins with Internal Pull Up or Pull Down Devices

Several pins of the Am79C930 device include internal pull up or pull down devices. With the exception of the RESET pin, these pins are fully programmable as inputs or outputs when the PCMCIA mode has been selected. A subset of these pins is programmable when the ISA Plug and Play mode has been selected. These pins will come up after RESET in the high impedance state with the pull up or pull down device actively determining the value of the pin, unless an external driving source overdrives the pull up or pull down device. VINITDN bit (MIR9[2]) is used to turn off all pull up and pull down devices.

The following list indicates those pins that contain pull up and pull down devices:

PCMCIA Mode Pin Name	Internal Device Type	Size of Internal Device
USER[6]/IRQ5	pull up	> 100K Ω
USER[5]/IRQ4	pull up	> 100K Ω
USER[4]/LA17	pull up	> 100K Ω
USER[3]/SA16	pull up	> 100K Ω
USER[2]/LA19	pull up	> 100K Ω
USER[1]/IRQ12	pull down	> 100K Ω
USER[0]/RFRSH	pull down	> 100K Ω
LLOCKE/SA15	pull down	> 100K Ω
$\overline{\text{ANTSLT}}$ /LA23	pull up	> 100K Ω
$\overline{\text{TXDATA}}$ /LA20	pull up	> 100K Ω
TXCMD/LA21	pull down	> 100K Ω
RXC/IRQ10	pull up	> 100K Ω
USER7/IRQ11	pull up	> 100K Ω
$\overline{\text{LFPE}}$	pull up	> 100K Ω
$\overline{\text{HFPE}}$	pull up	> 100K Ω
$\overline{\text{RXPE}}$	pull up	> 100K Ω
ANTSLT	pull down	> 100K Ω
$\overline{\text{TXCMD}}$	pull up	> 100K Ω
$\overline{\text{TXPE}}$	pull up	> 100K Ω
SDCLK	pull up	> 100K Ω
SDDATA	pull up	> 100K Ω
$\overline{\text{SDSEL}}$ [3]	pull up	> 100K Ω
$\overline{\text{SDSEL}}$ [2]	pull up	> 100K Ω
$\overline{\text{SDSEL}}$ [1]	pull up	> 100K Ω
$\overline{\text{ACT}}$	pull up	> 100K Ω
$\overline{\text{LNK}}$	pull up	> 100K Ω
$\overline{\text{TXMOD}}$	pull up	> 100K Ω
STSCHG/BALE	pull up	> 100K Ω
TXC	pull up	> 100K Ω

Following the RESET operation, the Am79C930 firmware or driver software should appropriately program the D bits of TIR and TCR registers, and then set the FN and EN bits of TIR and TCR registers to set the values and directions of each of these programmable pins. Once these operations have been performed, the software should then program the INITDN bit of MIR9 in order to disable all of the pull up and pull down devices. Unused programmable pins should be programmed for output mode, or may be left in the default high impedance state if an external pull down or pull up device is left connected to the pin. Unused programmable pins must not be programmed for input mode with no external source (pull-device or driver) connected and the INITDN bit of MIR9 set to a 1, since this could lead to unacceptable levels of power consumption by the Am79C930 device. For more information on programmable pins, see the Multi-Function Pins section.

Configuration Pins

PCMCIA

PCMCIA/ISA Bus Interface Select

Input

The value of this pin will asynchronously determine the operating mode of the Am79C930 device, regardless of the state of the RESET pin and regardless of the state of the CLKIN pin. If the PCMCIA pin is tied to VCC, then the Am79C930 controller will be programmed for PCMCIA Bus Mode. If the PCMCIA pin is tied to VSS, then the Am79C930 controller will be programmed for ISA Plug and Play Bus Interface Mode.

The functionality of the following pins is determined, at least in part, by the connection of the PCMCIA pin:

PCMCIA Mode Pin Name	ISA Plug and Play Mode Pin Name
USER6	USER6/IRQ5
USER5	USER5/IRQ4
USER4	LA17
USER3	SA16
USER2	LA19
USER1	USER1/IRQ12
USER0	$\overline{\text{RFRSH}}$
A[14:0]	SA[14:0]
LLOCKE	SA15
D[7:0]	SD[7:0]
$\overline{\text{CE1}}$	LA18
$\overline{\text{OE}}$	$\overline{\text{MEMR}}$
$\overline{\text{WE}}$	$\overline{\text{MEMW}}$
$\overline{\text{REG}}$	AEN
$\overline{\text{TXDATA}}$	LA20
$\overline{\text{TXCMD}}$	LA21
$\overline{\text{INPACK}}$	LA22
ANTSLT	LA23
$\overline{\text{WAIT}}$	IOCHRDY
$\overline{\text{STSCHG}}$	BALE
$\overline{\text{IORD}}$	$\overline{\text{IOR}}$
$\overline{\text{IOWR}}$	$\overline{\text{IOW}}$
$\overline{\text{IREQ}}$	IRQ9
RXC	RXC/IRQ10
USER7	USER7/IRQ11

Host System Interface Pins

PCMCIA Bus Interface

A14–0

Address Bus

Input

Signals A0 through A14 are address-bus-input lines. Signal A0 is always used because the data interface to the Am79C930 is only 8-bits wide.

$\overline{\text{CE1}}$

Card Enable

Input

$\overline{\text{CE1}}$ is an active low card enable input signal. $\overline{\text{CE1}}$ is used to enable even-numbered word address bytes. A0 is used to select between the even and odd numbered bytes within the addressed word.

D7–0

Data Bus

Input/Output

Signals D7 through D0 are the bidirectional data bus for PCMCIA. The most significant bit is D7.

$\overline{\text{OE}}$

Output Enable

Input

$\overline{\text{OE}}$ is an active low-output-enable input signal. $\overline{\text{OE}}$ is used to gate memory read data from the Am79C930 device onto the PCMCIA data bus. $\overline{\text{OE}}$ should be deasserted during memory write cycles to the Am79C930 device. $\overline{\text{OE}}$ is used for Common memory accesses and Attribute memory accesses.

$\overline{\text{INPACK}}$

Input Acknowledge

Output

The $\overline{\text{INPACK}}$ signal is an active low signal. $\overline{\text{INPACK}}$ is asserted when the Am79C930 device is selected and the Am79C930 device can respond to an I/O read cycle at the address currently on the address bus. This signal is used by the host to control the enable of any input data buffer between the card and the CPU. This signal will be inactive until the card is configured.

$\overline{\text{IORD}}$

I/O Read

Input

$\overline{\text{IORD}}$ is an active low signal. $\overline{\text{IORD}}$ is asserted by the host system to indicate to the Am79C930 device that a read from the Am79C930's I/O space is being performed. The Am79C930 device will not respond to the $\overline{\text{IORD}}$ signal until it has been configured for I/O operation by the system.

$\overline{\text{IOWR}}$

I/O Write

Input

$\overline{\text{IOWR}}$ is an active low signal. $\overline{\text{IOWR}}$ is asserted by the host system to indicate to the Am79C930 device that a write to the Am79C930's I/O space is being performed. The Am79C930 device will not respond to the $\overline{\text{IOWR}}$ signal until it has been configured for I/O operation by the system.

$\overline{\text{IREQ}}$

Interrupt Request

Output

$\overline{\text{IREQ}}$ is an active low signal. $\overline{\text{IREQ}}$ is asserted by the Am79C930 device to indicate to the host that software service is required. $\overline{\text{IREQ}}$ can operate in the pulse mode or level mode of operation as defined in the PCMCIA specification. In pulse mode of operation, an interrupt is signaled by the Am79C930 device by asserting a low-going pulse of at least 0.5 microseconds (μs). In pulse mode of operation, the inactive state (i.e., HIGH output) is driven, not floated. In level mode of operation, an interrupt is signaled by the Am79C930 device by asserting a LOW level. In level mode of operation, the inactive state (i.e., HIGH output) is driven, not floated.

Function Mode	REG	CE1	TORD	TOWR	A0	OE	WE	D7-0
Standby mode	X	H	X	X	X	X	X	High-Z
Common Memory Read Even Byte	H	L	H	H	L	L	H	Even Byte
Common Memory Read Odd Byte	H	L	H	H	H	L	H	Odd Byte
Common Memory Write Even Byte	H	L	H	H	L	H	L	Even Byte
Common Memory Write Odd Byte	H	L	H	H	H	H	L	Odd Byte
Attribute Memory Read Even Byte	L	L	H	H	L	L	H	Even Byte
Attribute Memory Read Odd Byte	L	L	H	H	H	L	H	Odd Byte
Attribute Memory Write Even Byte	L	L	H	H	L	H	L	Even Byte
Attribute Memory Write Odd Byte	L	L	H	H	H	H	L	Odd Byte
I/O Read Even Byte	L	L	L	H	L	H	H	Even Byte
I/O Read Odd Byte	L	L	L	H	H	H	H	Odd Byte
I/O Write Even Byte	L	L	H	L	L	H	H	Even Byte
I/O Write Odd Byte	L	L	H	L	H	H	H	Odd Byte

REG**Attribute Memory Select***Input*

REG is an active low-input signal that selects among Attribute memory and Common memory in the Am79C930 device and the Am79C930-based PCMCIA card. When REG is asserted, then the current access is to Attribute memory or I/O. When REG is not asserted, then the current access is to Common memory.

RESET**Reset***Input*

RESET is an active high-input signal that clears the Card Configuration Option Register (CCOR) and places the Am79C930 device into an unconfigured (PCMCIA-Memory-Only Interface) state. This pin also causes a RESET to be asserted to each of the Am79C930 core function units (i.e., PCMCIA interface, CPU, and Transceiver Attachment Interface).

STSCHG**Status Change***Output*

The STSCHG signal is an active low signal. STSCHG as implemented in the Am79C930 device is only used for the PCMCIA WAKEUP indication. The CHANGED bit and the SIGCHG bit of the Card Configuration and Status Register (CCSR) are not supported by the Am79C930 device. The Pin Replacement Register is not supported by the Am79C930 device.

WAIT**Extend Bus Cycle***Output*

The WAIT signal is an active low signal. WAIT is asserted by the Am79C930 device to delay completion of the access cycle currently in progress.

WE**Write Enable***Input*

WE is an active low write-enable input signal. WE is used to strobe memory write data into the Am79C930

device from the PCMCIA data bus. WE should be deasserted during memory read cycles to the Am79C930. WE is used for Common memory accesses and Attribute memory accesses.

ISA (IEEE P996) Bus interface**LA23-17, SA16-0****Address Bus***Input*

Signals SA0 through SA16 and LA17 through LA23 are address-bus-input lines which enable direct address of up to 16 Mbytes of memory space in an ISA-based Am79C930 design. Signal SA0 is always used, because the data interface to the Am79C930 is only 8-bits wide.

SD7-0**Data Bus***Input/Output*

Signals SD7 through SD0 are the bidirectional data bus for ISA. The most significant bit is SD7.

AEN**Address Enable***Input*

AEN is driven LOW by the ISA host to indicate when an I/O address is valid.

BALE**Bus Address Latch Enable***Input*

BALE is driven by the ISA host to indicate when the address signal lines are valid.

IOCHRDY**I/O Channel Ready***Output*

The IOCHRDY signal is deasserted by the Am79C930 device at the beginning of a memory access in order to delay completion of the memory access cycle then in progress. The IOCHRDY signal is reasserted by the Am79C930 device when the memory access is completed.

\overline{IOR}

I/O Read *Input*

The \overline{IOR} signal is made active by the ISA host in order to read data from the Am79C930 device's I/O space.

\overline{IOW}

I/O Write *Input*

The \overline{IOW} signal is made active by the ISA host in order to write data to the Am79C930 device's I/O space.

\overline{MEMR}

Memory Read *Input*

The \overline{MEMR} signal is made active by the ISA host in order to read data from the Am79C930 device's memory space.

\overline{MEMW}

Memory Write *Input*

The \overline{MEMW} signal is made active by the ISA host in order to write data to the Am79C930 device's memory space.

IRQ[4,5,9–12]

Interrupt Request *Output*

IRQ[x] is asserted by the Am79C930 device to indicate to the host that software service is required. IRQ[x] is held at the inactive level when no interrupt is requested. Only one of the six IRQ[x] lines may be selected for use at any one time. IRQ[x] outputs may be programmed for edge or level operation. Edge or level programming is part of the ISA Plug and Play initialization procedure. When edge programming has been selected, then the selected IRQ[x] pin is *driven* to a HIGH level to indicate an active interrupt request, and the selected IRQ[x] pin is *driven* to a low level to indicate an inactive interrupt request. When level programming has been selected, then the selected IRQ[x] pin is driven to a LOW level and the selected IRQ pin is *floated* to indicate an inactive interrupt request (i.e., open drain operation). "Unused" (i.e., unselected) IRQ[x] lines will be held in a high impedance state, even when interrupt service is requested.

RESET

Reset *Input*

RESET is an active high input signal. When driven to a HIGH level, RESET causes the Am79C930 device to immediately place all ISA bus outputs into a high impedance state. This pin also causes a RESET to be asserted to each of the Am79C930 core function units (i.e., ISA interface state machine, 80188, and Transceiver Attachment Interface).

\overline{RFRSH}

Refresh *Input*

The \overline{RFRSH} signal is made active by the ISA host to indicate that the current bus cycle is a refresh operation.

Memory Interface Pins

MA16–0

Memory Address Bus *Output*

Signals MA0 through MA16 are address-bus-output lines which enable direct address of up to 128 Kbytes of SRAM memory and 128 Kbytes of Flash memory in a Am79C930-based application. The Am79C930 device will drive these signals to Access memory locations within the SRAM or the Flash memory.

\overline{FCE}

Flash Memory Chip Enable *Output*

\overline{FCE} is an active low chip enable output signal. \overline{FCE} is used to activate the Flash memory device's control logic and input buffers during accesses on the memory interface bus.

MD7–0

Memory Data Bus *Input/Output*

Signals MD7 through MD0 are the bidirectional data bus for the SRAM and the Flash memory. The most significant bit is MD7.

\overline{MOE}

Memory Output Enable *Output*

\overline{MOE} is an active low output that is used to gate the outputs of the SRAM and Flash memory device's during read cycles.

\overline{SCE}

SRAM Chip Enable *Output*

\overline{SCE} is an active low chip enable output signal. \overline{SCE} is used to activate the SRAM device's control logic and input buffers during accesses on the memory interface bus.

\overline{MWE}

Memory Write Enable *Output*

\overline{MWE} is an active low output that is used to latch address and data information in the SRAM and Flash memory devices during write cycles. Address information for SRAM and Flash memory write cycles is valid on the MA16–0 pins at the falling edge of \overline{MWE} . Data information for SRAM and Flash memory write cycles is valid on the MD7–0 pins at the rising edge of \overline{MWE} .

\overline{XCE}

eXtra Chip Enable *Output*

\overline{XCE} is an active low chip enable output signal. \overline{XCE} is used to activate a peripheral device's control logic and input buffers during accesses on the memory interface bus. \overline{XCE} is activated by appropriate signaling from the 80188 embedded core. \overline{XCE} may not be activated through the system interface. Sixteen bytes of address range are allotted for use with the \overline{XCE} signal.

Clock Pins**CLKIN****System Clock****Input**

CLKIN is the clock input for the Am79C930 device's logic functions. CLKIN is used to drive the CLKIN input of the embedded 80188 core. The BIU section uses the CLKOUT signal from the 80188 embedded core as a reference. The register interface portions of the TAI use the CLKIN signal as a reference. The TAI uses a divided version of this clock to obtain a reference clock for data transmission, where the divisor value is selectable through a register; this allows different data rates to be set. The TAI DPLL clock recovery circuit will use a reference clock that is 20 times the selected data rate, whenever the ECLK bit of the Receiver Configuration Register (TCR3) is set to a 0. This DPLL reference clock is also derived from the CLKIN signal. When the ECLK bit is set to 1, the TAI DPLL is not used, and the incoming receive data stream is clocked with the RXCIN signal. The highest frequency allowed at the CLKIN input is 40 MHz.

PMX[1–2]**Power Management Crystal****Input/Output**

PMX[1–2] are the reference crystal inputs for the clock that drives the power management logic. The nominal frequency for this crystal input is 32 kHz.

RXCIN**Receive Clock In****Input**

RXCIN is the reference clock input for the receive data stream entering the Am79C930 device when the ECLK bit of TCR2 is set to a 1. Rising edges of the RXCIN input will mark valid sample points for the data arriving at the RXDATA input.

RXC**Receive Clock Out****Output**

RXC is the reference clock output for the receive data stream that is derived either from the DPLL or from the RXCIN pin, depending on the selected Am79C930 device configuration. This clock is provided for test purposes only. This function is only available when the Am79C930 device is programmed for the PCMCIA mode of operation.

TXC**Transmit Clock****Input/Output**

TXC is the clock reference for data transmission at the network interface. Some systems may require that the Am79C930 device deliver the transmit data with a clock for reference. In such systems, the TXC pin may be configured as an output and the TXC signal will be generated by the Am79C930 device as a derivative from the CLKIN input. TXDATA will change on falling edges

of TXC, allowing ample setup and hold time for valid sampling of TXDATA with the rising edge of TXC.

Some systems may require that the Am79C930 device deliver the transmit data according to a clock reference that is external to the Am79C930 device. In such systems, the TXC pin may be configured as an input. TXDATA will change on falling edges of TXC, allowing ample setup and hold time for valid sampling of TXDATA with the rising edge of TXC.

System Management Pins**PWRDWN****Power Down****Output**

PWRDWN is an active high output that indicates that the Am79C930 device has been placed into a low power mode to conserve power. While PWRDWN is asserted, the internal clock that is routed to the 80188 embedded core and the network interface (TAI section) has been halted. PCMCIA CCRs and SIRs are still active while in the low power mode.

USER[0–6]**User-Definable Pins****Input/Output**

USER[0–6] are pins that are controlled directly through TIR and TCR registers. These pins may serve as outputs, inputs or as I/O through the use of high-impedance control and data bits in TIR and TCR registers. These pins are available only in PCMCIA mode.

Note: Some of the TAI interface pins are similarly programmable, thereby allowing some user-defined functionality when using the ISA Plug and Play mode of operation.

TAI Interface Pins**ANTS $\overline{\text{L}}$ T****Antenna Select****Output**

ANTS $\overline{\text{L}}$ T is an active high output that indicates to the transceiver which antenna should be utilized for both transmission and reception. ANTS $\overline{\text{L}}$ T allows for selection among two possible antennas.

ANTS $\overline{\text{L}}$ T**Antenna Select****Output**

ANTS $\overline{\text{L}}$ T is an active low output that is the logical inverse of the ANTS $\overline{\text{L}}$ T output. This signal is only available when the Am79C930 device is configured for the PCMCIA mode of operation.

FDE $\overline{\text{T}}$ **Frame Detect****Output**

FDE $\overline{\text{T}}$ is an active low output that indicates when the Am79C930 device has located the Start of Frame Delimiter in the receive or transmit data stream. This signal

is deasserted when the RESET pin is issued or the CRC reset bit is set to 1 (SIR0); when the TXS bit is set to 1 (TIR8) or the RXS bit is set to 1 (TIR16); when TXRES bit set to 1 (TIR8), or the RXRES bit is set to 1 (TIR16), or the SRES bit is set to 1 (TIR0).

HFCLK

High Frequency Clock

Output

HFCLK provides a reference clock for a transceiver synthesizer. The clock rate is equal to the clock rate of the CLKIN signal when the CLKGT20 bit of MIR9 is set to 0, and is equal to one-half the clock rate of the CLKIN signal when the CLKGT20 bit of MIR9 is set to 1. No phase relationship to CLKIN is guaranteed. HFCLK will be LOW whenever the HFPE signal is inactive.

HFPE

High Frequency Power Enable

Output

HFPE is an active low output that is used to power up the high-frequency VCO section of the transceiver. This pin is directly controllable through a TAI register and is also programmable as an I/O with read capability.

LFCLK

Low Frequency Clock

Output

LFCLK provides a reference clock for a transceiver synthesizer. The clock rate is equal to the clock rate of the CLKIN signal when the CLKGT20 bit of MIR9 is set to 0, and is equal to one half the clock rate of the CLKIN signal when the CLKGT20 bit of MIR9 is set to 1. No phase relationship to CLKIN is guaranteed. LFCLK will be LOW whenever the LFPE signal is inactive.

LFPE

Low Frequency Power Enable

Output

LFPE is an active low output that is used to power up the low-frequency synthesizer section of the transceiver. This pin is directly controllable through a TAI register and is also programmable as an I/O with read capability.

LLOCKE

Synthesizer Lock

Input

LLOCKE is a general-purpose input that can be used to convey a transceiver's synthesizer lock signal to the 80188 embedded controller. The value of the LLOCKE pin is readable at a register bit in the TIR register space.

RXDATA

Receive Data

Input

RXDATA is an input that accepts the serial bit stream for reception, including Preamble, SFD, PHY header, MAC header, Data and FCS field. The RXDATA input stream is expected to be NRZ data. Clock recovery is performed internal to the Am79C930 device. If an external

PLL is used for clock recovery, then the RXDATA input will expect valid data at rising edges of the RXCIN input. External versus internal PLL use is determined through the setting of the ECLK bit in TCR2.

RXPE

Receiver Power Enable

Output

RXPE is an active low output that is used to power up the receive section of the transceiver. This pin is directly controllable through a TAI register and is also programmable as an I/O with read capability.

TXCMD

Transmit Command

Output

TXCMD is an active low output that is used to enable the transceiver's transmission onto the medium. When TXCMD is low, the transceiver should enable its transmission function and disable its receive function. When TXCMD is high, the transceiver should disable its transmission function and return to receive functionality. This pin is directly controlled by the transmit state machine in the TAI and the TXCMD bit of TIR11. The timing of the TXCMD signal is programmable from a TAI register. The polarity of this pin is programmable from a TAI register.

TXCMD

Transmit Command

Output

TXCMD is an active high output that is the logical inverse of the TXCMD output. This signal is only available when the Am79C930 device is configured for the PCMCIA mode of operation.

TXDATA

Transmit Data

Output

TXDATA is an output that provides the serial bit stream for transmission, including preamble, SFD, PHY header, MAC header, data and FCS field, or a subset thereof. Data delivered from the MAC to the transceiver is valid at the rising edge of TXC and changes on the falling edge of TXC. The value of the TXDATA pin is programmable to 1, 0, or "last bit transmitted" whenever the transmit circuit is idle and during ramp up and ramp down of the transceiver's transmit circuits.

TXDATA

Transmit Data

Output

TXDATA is an output that is the logical inverse of the TXDATA output. This signal is only available when the Am79C930 device is configured for the PCMCIA mode of operation. The value of the TXDATA pin is 0 whenever the transmit circuit is idle and during ramp up and ramp down of the transmitter.

$\overline{\text{TXMOD}}$ **Transmit Modulation Enable****Output**

$\overline{\text{TXMOD}}$ is an active low output that is used to enable the transmit modulation function of the attached transceiver. This pin is directly controlled by the transmit state machine in the TAI and the $\overline{\text{TXMOD}}$ bit of TIR11. The timing of the $\overline{\text{TXMOD}}$ signal is programmable from a TAI register. The polarity of this pin is programmable from a TAI register.

 $\overline{\text{TXPE}}$ **Transmit Power Enable****Output**

$\overline{\text{TXPE}}$ is an active low output that is used to enable the transceiver's transmission amplifier. When $\overline{\text{TXPE}}$ is low, the transceiver should enable its transmission amplifier. When $\overline{\text{TXPE}}$ is high, the transceiver should disable its transmission amplifier. This pin is directly controlled by the transmit state machine in the TAI and the $\overline{\text{TXPE}}$ bit of the TIR11. The timing of the TXMOD signal is programmable from a TAI register. The polarity of this pin is programmable from a TAI register.

USER7**USER7****Input/Output**

USER7 is a pin that may be directly controlled through TIR and TCR register locations.

Other Pins **$\overline{\text{ACT}}$** **Activity LED****Output**

$\overline{\text{ACT}}$ is an active low open collector output that is directly controllable through a TAI register. This pin is capable of sinking the 12 mA necessary to drive a typical indicator LED. This pin is directly controllable through a TAI register and is also programmable as an I/O with read capability. This pin may also be programmed to actively drive high output values. When an LED is connected to this pin, then proper operation of this output requires a pull-up device to be connected externally.

ADREF**A/D Reference****Input**

ADREF is a single-ended analog input that is used by the A/D conversion circuit. ADREF is the reference voltage that is fed to the resistor ladder of the D/A portion of the A/D circuit. ADREF is used to determine the range of sensitivity of the A/D circuit. The recommended value for ADREF is 1.25 to 1.75 V. Note that ADREF is voltage-doubled before being used for internal A/D reference. For example, an ADREF value of 1.75 V will mean that the A/D will give a max digital output value for an ADIN input of 3.5 V or higher.

ADIN[1–2]**A/D sample inputs****Input/Output**

ADIN[1–2] are inputs that accept single-ended analog input values for conversion by the internal Am79C930

A/D converter. Only one input will be sampled at any time for conversion by the internal Am79C930 device's A/D circuit. The input that will be converted by the A/D circuit is determined by the setting of the SRCS bit of the Antenna Diversity and A/D Control register in the TAI (TIR26).

 $\overline{\text{LNK}}$ **Link LED****Output**

$\overline{\text{LNK}}$ is an active low open collector output that is directly controllable through a TAI register. This pin is capable of sinking the 12 mA necessary to drive a typical indicator LED. This pin is directly controllable through a TAI register and is also programmable as an I/O with read capability. This pin may also be programmed to actively drive high output values. When an LED is connected to this pin, then proper operation of this output requires a pull-up device to be connected externally.

PWRDWN**Powerdown****Output**

PWRDWN is an output that becomes active (HIGH) when the Am79C930 device enters the power down mode. This pin can be used to power down other sections of a Am79C930-based system design.

SAR[6–0]**Serial Approximation Register****Input/Output**

SAR[6–0] are outputs that are used to deliver the value of the internal A/D converter for use external to the Am79C930 device. These pins are directly controllable through a TAI register and are also programmable as I/O pins with read capability.

SDCLK**Serial Device Clock****Output**

SDCLK is an output that is used to clock data on the SDDATA output pin. This pin may be used in combination with the SDDATA and $\overline{\text{SDSEL}}$ output pins in order to create an I²C serial device interface. This pin is directly controllable through a TAI register and is also programmable as an I/O with read capability.

SDDATA**Serial Device Data****Input/Output**

SDDATA is an I/O pin that may be used in conjunction with the SDCLK and $\overline{\text{SDSEL}}$ pins in order to create an I²C serial device interface. This pin is directly controllable through a TAI register and is also programmable as an I/O with read capability.

 $\overline{\text{SDSEL}}$ [1–3]**Serial Device Select****Output**

$\overline{\text{SDSEL}}$ [1–3] are output pins that may be used in conjunction with the SDCLK and $\overline{\text{SDSEL}}$ pins in order to create an I²C serial device interface. These pins are directly controllable through a TAI register and are also programmable as I/O pins with read capability.

IEEE 1149.1 Test Access Port Pins

TCK

Test Clock *Input*

TCK is the clock input for the boundary scan test mode operation. TCK frequency may be as high as 10 MHz. TCK does not have an internal pull-up resistor and must be connected to a valid TTL or CMOS level at all times. TCK must not be left unconnected.

TDI

Test Data Input *Input*

TDI is the test data input path to the Am79C930 device. If left unconnected, this pin has a default value of HIGH.

TDO

Test Data Output *Output*

TDO is the test data output path from the Am79C930 device. TDO is tri-stated when the JTAG port is inactive.

TMS

Test Mode Select *Input*

TMS is a serial input bit stream is used to define the specific boundary scan test to be executed. If left unconnected, this pin has a default value of HIGH.

TRST

Test Reset *Input*

When asserted, $\overline{\text{TRST}}$ will asynchronously reset the IEEE 1149.1 state. The reset state of the IEEE 1149.1 state machine is FFh.

Test Pin

TEST

Test *Input*

The $\overline{\text{TEST}}$ pin should be tied HIGH and is reserved for internal factory test only.

Power Supply Pins

Analog Power Supply Pins

AVDD

Analog Power (1 Pin) *Power*

There is one analog 5 V supply pin. This supply pin provides power to the analog section of the Am79C930 device. This pin must always be connected to 5 V, unless the A/D function of the device is not required. If the A/D function of the device is not required, then this pin may be connected to either a 5 V supply or to a 3.3 V supply.

Note: *A/D must be disabled.* However, all analog power pins (AVDD and VDD5) must be connected to the same

supply voltage. Special attention should be paid to the printed circuit board layout to avoid excessive noise on the AVDD line.

AVSS

Analog Ground (1 Pin) *Ground*

There is one analog ground pin. This ground pin provides ground reference to the analog section of the Am79C930 device. This pin must always be connected to a ground supply. Special attention should be paid to the printed circuit board layout to avoid excessive noise on the AVSS line.

VDD5

A/D Power (1 Pins) *Power*

There is one A/D power supply pin. This pin provides power to the A to D converter circuit. This pin must always be connected to a 5 V supply unless the A/D function of the device is not required. If the A/D function of the device is not required, then this pin may be connected to either a 5 V supply or to a 3.3 V supply. However, all analog power pins (AVDD and VDD5) must be connected to the same supply voltage. Special attention should be paid to the printed circuit board layout to avoid excessive noise on the VDD5 line.

Digital Power Supply Pins

VDDT

Transceiver Power (2 Pins) *Power*

There are two transceiver interface power supply pins. These pins provide power to the transceiver interface buffers and drivers on pins 98 through 133. These pins may be connected to either a 5.0 V supply or a 3.3 V supply, but both of these pins must be connected to the same supply voltage.

VSST

Transceiver Ground (4 Pins) *Ground*

There are four transceiver interface ground pins. These pins provide ground reference to the transceiver interface buffers and drivers on pins 98 through 133. In both 5 V and 3 V systems, these pins should be connected to a ground supply.

VCC

Core Logic Power (2 Pins) *Power*

There are two core logic power supply pins. These pins provide power to the core logic and must always be less than or equal to VDDT, VDDU1, VDDU2, VDDP, and VDDM.

VCC	VDDT, VDDU1, VDDU2, VDDP, VDDM	AVDD, VDD5	Acceptable Combination
5 V	All at 5 V	Both at 5 V	Yes
3 V	All at 5 V	Both at 5 V	Yes
3 V	Any Combination of 3 V and 5 V	Both at 5 V	Yes
3 V	All at 3 V	Both at 5 V	Yes
5 V	All at 3 V	Both at 5 V	No
5 V	Any Combination of 3 V and 5 V	Both at 5 V	No
5 V	All at 5 V	Any Combination of 3 V and 5 V	No

Also, AVDD and VDD5 must be tied to 5 V, if A/D function is required. VDDT, VDDU1, VDDU2, VDDP, and VDDM do not have to have the same voltage. If VCC = 3 V, any combination of 5 V or 3 V for VDDXX will work.

VSS

Core Logic Ground (2 Pins)

Ground

There are two core logic ground pins. These pins provide ground reference to the core logic. In both 5 V and 3 V systems, these pins should be connected to a ground supply.

VDDU1

User Pin Power (1 Pin)

Power

There is one VDDU1 power supply pin. This pin provides power to the buffers and drivers on pins 84 through 96. This pin may be connected to either a 5 V supply or to a 3.3 V supply.

VSSU1

Core Logic Ground (1 Pin)

Ground

There is one VSSU1 ground pin. This pin provides ground reference to the buffers and drivers on pins 84 through 96. In both 5 V and 3 V systems, this pin should be connected to a ground supply.

VDDU2

User Pin Power (1 Pin)

Power

There is one VDDU2 power supply pin. This pin provides power to the buffers and drivers on pins 1 through 3 and pins 139 through 144. This pin may be connected to either a 5 V supply or to a 3.3 V supply.

VDDP

PCMCIA Power (1 Pin)

Power

There is one PCMCIA power supply pin. This pin provides power to PCMCIA and Power Management Crystal buffers and drivers on pins 41 through 83. This pin may be connected to either a 5 V supply or to a 3.3 V supply.

VSSP

PCMCIA Ground (2 Pins)

Ground

There are two PCMCIA ground pins. These pins provide ground reference to the PCMCIA and Power Management Crystal buffers and drivers on pins 41 through 83. In both 5 V and 3 V systems, these pins should be connected to a ground supply.

VDDM

Memory Interface Power (3 Pins)

Power

There are three Memory Interface power supply pins. These pins provide power to the Memory Interface buffers and drivers on pins 4 through 40. These pins may be connected to either a 5.0 V supply or to a 3.3 V supply, but all three of these pins must be connected to the same supply voltage.

VSSM

Memory Interface Ground (3 Pins)

Ground

There are three Memory Interface ground pins. These pins provide ground reference to the Memory Interface buffers and drivers on pins 4 through 40. In both 5 V and 3 V systems, these pins should be connected to a ground supply.

Multi-Function Pins

The Am79C930 device includes a number of pins which have multiply-defined functions. The various functions assigned to each of these pins is determined through both device pin settings and through individual register bit settings. This section explains the functional modes of each of the multi-function pins and gives tables that indicate the proper programming for each pin.

Pins in this section are listed by pin number.

Where the PCMCIA pin is not listed in a table, it can be inferred that the setting of the PCMCIA pin has no influence on the pin values.

Under the column where pin directions are given in the table, I = Input (high impedance), O = Output (totem pole), OD = Open Drain.

Under the column where pin data is given in the table, when the pin direction is given as Output, then the pin data column indicates the source for the pin's output value.

Under the column where pin data is given in the table, when the pin direction is given as Input, then the pin data column will indicate NA, since the source for the pin value is external. Note that when any pin is configured for an input function, the pin value is almost always available at the pin data register. A note following each table indicates the availability of the pin data with respect to the pin data register bit.

Note that in almost all cases, the pin data register bit will always read the pin value, even if the pin is configured

for an output function. This means that there are configurations for which a read of the pin data register bit will not reflect what has most recently been written to the pin data register bit (i.e., if a pin is configured as an output with its data source as some internal circuit, then the user may write the pin data bit with a given value, and a read of this same bit will yield the output function value, which may not necessarily match the value just written to the data bit). This functionality is given as a note following each table. Also note that for a few pins, the read and write locations for the pin data are in different places.

Pin 1: USER2/LA19

The USER2/LA19 pin may be configured for input operation, output operation, or ISA LA19 operation according to the following table:

PCMCIA Pin	USER2EN TCR14[2]	USER2/LA19 Pin Direction	USER2/LA19 Pin Data
0	X	I	NA (LA19 input function)
1	0	I	NA
1	1	O	TIR29[2]

Note that a read of the USERDT[2] bit (TIR29[2]) will always give the current USER2/LA19 pin value, regardless of pin configuration setting.

Pin 2: USER3/SA16

The USER3/SA16 pin may be configured for input operation, output operation, or ISA SA16 operation according to the following table:

PCMCIA Pin	USER3EN TCR14[3]	USER3/SA16 Pin Direction	USER3/SA16 Pin Data
0	X	I	NA (SA16 input function)
1	0	I	NA
1	1	O	TIR29[3]

Note that a read of the USERDT[3] bit (TIR29[3]) will always give the current USER3/SA16 pin value, regardless of pin configuration setting.

Pin 3: USER4/LA17

The USER4/LA17 pin may be configured for input operation, output operation, or ISA LA17 operation according to the following table:

PCMCIA Pin	USER4EN TCR14[4]	USER4/LA17 Pin Direction	USER4/LA17 Pin Data
0	X	I	NA (LA17 input function)
1	0	I	NA
1	1	O	TIR29[4]

Note that a read of the USERDT[4] bit (TIR29[4]) will always give the current USER4/LA17 pin value, regardless of pin configuration setting.

Pin 45: STSCHG/BALE

The STSCHG/BALE pin may be configured for input operation, output operation, or ISA BALE operation according to the following table:

PCMCIA Pin	STSCHGFN TCR15[0]	STSCHG/BALE Pin Direction	STSCHG/BALE Pin Data
0	X	I	NA (BALE input function)
1	0	O	MIR9[0]
1	1	O	MIR9[0] OR CCSR[4]

MIR9[0] is the $\overline{\text{STSCHGD}}$ bit. In PCMCIA mode, $\overline{\text{STSCHGD}}$ basically acts like a UNMASKING function for the STSCHG pin. $\overline{\text{STSCHGD}}$ can be used to prevent the WAKEUP signal from the PCMCIA Card Configuration and Status Register from being signaled on the STSCHG pin. Note that if STSCHGFN is set to 1 and STSCHGD is set to a 0, then the STSCHG pin will always be deasserted (i.e., it will be MASKED). With STSCHGFN=1, writing a 1 to the STSCHGD bit will UNMASK the WAKEUP status and allow it to be applied to the STSCHG pin.

Note that the STSCHGD bit is automatically RESET to 0 whenever the WAKEUP bit of the PCMCIA Card Configuration and Status Register is RESET to 0. Therefore, the UNMASK bit (STSCHGD) needs to be set to UNMASK (=1) for each new use of the WAKEUP signal.

When STSCHGFN is set to 0, then the STSCHGD bit will become an inverted source for the STSCHG pin value.

Note that a read of the STSCHGD bit (MIR9[0]) will always give the inverse of the current STSCHG/BALE pin value, regardless of pin configuration setting.

Pin 90: USER0/RFRSH

The USER0/RFRSH pin may be configured for input operation, output operation, or ISA RFRSH operation according to the following table:

PCMCIA Pin	USER0EN TCR14[0]	USER0/RFRSH Pin Direction	USER0/RFRSH Pin Data
0	X	I	NA (RFRSH input function)
1	0	I	NA
1	1	O	TIR29[0]

Note that a read of the USERDT[0] bit (TIR29[0]) will always give the current USER0/RFRSH pin value, regardless of pin configuration setting.

Pin 91: USER1/IRQ12/EXTCTS/EXINT188

The USER1/IRQ12 pin may be configured for input operation, output operation, or ISA IRQ12 operation according to the following table:

PCMCIA Pin	USER1EN TCR14[1]	IRQ Select PnPx70	IRQ Type PnPx71	USER1/IRQ12 Pin Direction	USER1/IRQ12 Pin Data
0	X	Ch	2h	O	IRQ12
0	X	Ch	1h	OD	IRQ12
0	0	≠Ch	X	I	NA
0	1	≠Ch	X	O	TIR29[1]
1	0	X	X	I	NA
1	1	X	X	O	TIR29[1]

Note that a read of the USERDT[1] bit (TIR29[1]) will always give the current USER1/IRQ12 pin value, regardless of pin configuration setting.

In addition to the functionality listed above, the USER1/IRQ12/EXTCTS/EXINT188 pin may be used to enable the internal TX state machine. This capability is controlled by the CTSEN bit of TCR7 and operates independently of the table above and independently of the U1INTCNT bits of TCR7. When the CTSEN bit of TCR7 is set to 1, then the value of the USER1/IRQ12/EXTCTS/EXINT188 pin will be ANDed with the value of the TXS bit of TIR8. The output of the AND gate will then be used to determine the start of the TX state machine. In this way, an external signal, through the USER1/IRQ12/EXTCTS/EXINT188 input, can be used

to control the start of the TX state machine, provided that Am79C930 device firmware has enabled the operation by setting the TXS bit of TIR8.

In addition to the functionality listed above, the USER1/IRQ12/EXTCTS/EXINT188 pin may be used to produce interrupts to the 80188 embedded controller. This capability is controlled by the U1INTCNT bits of TCR7 and operates independently of the bits in the table above and independently of the CTSEN bit of TCR7. Interrupts that are routed through the USER1/IRQ12/EXTCTS/EXINT188 pin are indicated in the U1INT bit of TCR11. The following table lists the programming options for using the USER1/IRQ12/EXTCTS/EXINT188 pin as a source of external interrupt to the 80188 controller.

U1INTCNT TCR7[4:3]	USER1 Pin Event	U1INT Bit Result (TCR11[3])
00	X	0 => interrupt disabled reset default condition
01	rising edge	1 => interrupt signalled
10	falling edge	1 => interrupt signalled
11	rising or falling edge	1 => interrupt signalled

Pin 92: USER7/IRQ11

The USER7/IRQ11 pin may be configured for input operation, output operation, or ISA IRQ11 operation according to the following table:

Note that a read of the USER7DL bit (TIR29[7]) will always give the current USER7/IRQ11 pin value, regardless of pin configuration setting.

USER7DL (TIR29[7]) gives the current value of the USER7/IRQ11 pin.

PCMCIA Pin	USER7FN TC30[7]	USER7EN TCR14[7]	USER7/IRQ Select PnPx70	USER7/IRQ Type PnPx71	IRQ11 Pin Direction	IRQ11 Pin Data
0	0	X	Bh	2h	O	IRQ11
0	0	X	Bh	1h	OD	IRQ11
0	0	X	≠Bh	X	I	NA
0	1	X	X	X	I	NA
1	0	0	X	X	I	NA
1	0	1	X	X	O	TIR29[7]
1	1	X	X	X	I	NA

Pin 94: RXC/IRQ10/EXTA2DST

The RXC/IRQ10 pin may be configured for input operation, output operation, ISA IRQ10 operation, and as an output providing the RX clock information (whether derived from the RXDATA stream through Am79C930 device DLL operation or simply rerouted from the RXCIN input) according to the following table:

Note that a read of the RXCD bit (TIR11[7]) will always give the current RXC/IRQ10 pin value, regardless of pin configuration setting.

In addition to the functionality listed above, the RXC/IRQ10/EXTA2DST pin may be used to control the start of the A/D conversion process. When the UXA2DST bit of TCR25 has been set to a 1, then the normal internal state machine control of the A/D sample and conversion procedure or a rising edge on the RXC/IRQ10/EXTA2DST pin will trigger an A/D conversion procedure. By allowing external control of the start of the A/D conversion process, the EXTADTST input allows synchronization of the internal A/D function to an external circuit that desires to use the A/D converter.

PCMCIA Pin	RXCEN TCR28[7]	RXCEN TCR15[4]	IRQ Select PnPx70	IRQ Type PnPx71	RXC/IRQ10 Pin Direction	RXC/IRQ10 Pin Data
0	0	X	Ah	2h	O	IRQ10
0	0	X	Ah	1h	OD	IRQ10
0	0	0	≠Ah	X	I	TIR11[7]
0	0	1	≠Ah	X	O	TIR11[7]
0	1	X	X	X	O	RXC
1	0	0	X	X	I	TIR11[7]
1	0	1	X	X	O	TIR11[7]
1	1	X	X	X	O	RXC

Pin 95: USER6/IRQ5/EXTSDF

The USER6/IRQ5/EXTSDF pin may be configured for input operation, output operation, or ISA IRQ5 operation according to the following table:

Note that a read of the USER6D bit (TIR11[6]) will always give the current USER6/IRQ5 pin value, regardless of pin configuration setting.

PCMCIA Pin	ENXSDF TCR28[6]	USER6FN TCR7[6]	USER6EN TCR15[3]	IRQ Select PnPx70	IRQ Type PnPx71	USER6/IRQ5 Pin Direction	USER6/IRQ5 Pin Data
0	1	X	X	X	X	I	TIR11[6]
0	X	0	X	5h	2h	O	IRQ5
0	X	0	X	5h	1h	OD	IRQ5
0	0	0	0	≠5h	X	I	TIR11[6]
0	0	0	1	≠5h	X	O	TIR11[6]
0	0	1	0	X	X	I	TIR11[6]
0	0	1	1	X	X	O	TIR11[6]
1	1	X	X	X	X	I	TIR11[6]
1	0	X	0	X	X	I	TIR11[6]
1	0	X	1	X	X	O	TIR11[6]

In addition to the functionality listed above, the USER6/IRQ5/EXTSDF pin may be used to enable the function of the RX state machine within the Am79C930 device. This capability is controlled by the ENXSDF bit and the ENXCHBSY bit, both of TCR28. When the ENXSDF bit and the ENXCHBSY bit of TCR28 are both set to a 1 and either TCR28 bit 4 is set to 0 or an antenna selection has been made, then the value of the USER6/IRQ5/EXTSDF pin will be used to enable transfers of RXD data into the RX FIFO, provided the Am79C930 device firmware has previously enabled the RX state machine by setting the RXS bit of TIR16. In addition, the EXTSD value will be sent to the SDF interrupt bit of TIR5[2]. TIR5[2] will, if unmasked, produce an interrupt to the 80188 embedded controller.

Note that setting the ENXSDF bit of TCR28 to a 1 will cause the USER6/IRQ5/EXTSDF pin to function as an input, regardless of other control bit settings.

Pin 96: USER5/IRQ4/EXTCHBSY

The USER5/IRQ4 pin may be configured for input operation, output operation, or ISA IRQ4 operation according to the table below.

Note that a read of the USER5D bit (TIR11[5]) will always give the current USER5/IRQ4/EXTCHBSY pin value, regardless of pin configuration setting. In addition to these bits, the USER5/IRQ4/EXTCHBSY pin may be used to produce interrupts to the 80188 embedded controller. This capability is controlled by the

ENXCHBSY bit of TCR28 and the CHBSYU bit of TIR5 and operates independently of the bits in the table below.

In addition to the functionality listed above, the USER5/IRQ4/EXTCHBSY pin may be used as the source for CCA information, instead of relying on the internal CCA logic of the Am79C930 device. When using the external CCA information, CCA information from the internal logic will be unavailable. External CCA information will appear in the same register bit locations as internal CCA information, when enabled, so a change from internal source to external source will be transparent to firmware (excepting the necessary change in the ENXCHBSY bit value).

This source of CCA information is controlled by the ENXCHBSY bit of TCR28. When the ENXCHBSY bit of TCR28 is set to a 1, then the value of the USER5/IRQ4/EXTCHBSY pin will be fed directly to the CHBSYC bit of TIR4, CHBSY bit of TIR26 and the BCF bit of TIR5. If the CHBSYC interrupt is unmasked, it will produce an interrupt to the 80188 embedded controller. If the BCF interrupt is unmasked, it will produce an interrupt to the 80188 embedded controller. Note that setting the ENXCHBSY bit of TCR28 to a 1 will cause the USER5/IRQ4/EXTCHBSY pin to function as an input, regardless of the settings of the other control bits listed.

PCMCIA Pin	ENXCHBSY TCR28[5]	USER5FN TCR7[5]	USER5EN TCR15[2]	IRQ Select PnPx70	IRQ Type PnPx71	USER5/IRQ4 Direction	USER5/IRQ4 Pin Data
0	1	X	X	X	X	I	TIR11[5]
0	0	0	X	4h	2h	O	IRQ4
0	0	0	X	4h	1h	OD	IRQ4
0	0	0	0	≠4h	X	I	TIR11[5]
0	0	0	1	≠4h	X	O	TIR11[5]
0	0	1	0	X	X	I	TIR11[5]
0	0	1	1	X	X	O	TIR11[5]
1	1	X	X	X	X	I	TIR11[5]
1	0	X	0	X	X	I	TIR11[5]
1	0	X	1	X	X	O	TIR11[5]

Pin 98: $\overline{\text{ACT}}$

The $\overline{\text{ACT}}$ pin may be configured for input or output operation. The output drive may be programmed for totem pole or open drain operation. $\overline{\text{ACT}}$ pin configuration is accomplished according to the following table:

Note that a read of the ACT bit (TIR0[6]) will always give the current $\overline{\text{ACT}}$ pin value, regardless of pin configuration setting.

ACTEN TCR15[1]	ACT TIR0[6]	ACTDR TCR27[3]	ACT Pin Direction	ACT Pin Value
0	X	X	I	NA
1	0	0	OD	float reset default condition
1	1	0	OD	LOW
1	0	1	O	HIGH
1	1	1	O	LOW

Pin 100: $\overline{\text{LNK}}$

The $\overline{\text{LNK}}$ pin may be configured for input or output operation. The output drive may be programmed for totem pole or open drain operation. $\overline{\text{LNK}}$ pin configuration is accomplished according to the following table:

Note that a read of the LNK bit (TIR0[7]) will always give the current $\overline{\text{LNK}}$ pin value, regardless of pin configuration setting.

LNKEN TCR13[7]	LNK TIR0[7]	LNKDR TCR27[4]	$\overline{\text{LNK}}$ Pin Direction	$\overline{\text{LNK}}$ Pin Value
0	X	X	I	NA
1	0	0	OD	float reset default condition
1	1	0	OD	LOW
1	0	1	O	HIGH
1	1	1	O	LOW

Pin 101: SDCLK

The SDCLK pin may be configured for input or output operation. The output drive may be programmed for register-driven or auto-pulse generation. The auto-pulse may be programmed for either active low or active high

operation. SDCLK pin configuration is accomplished according to the following table:

Note that a read of the SDC bit (TIR2[2]) will always give the current SDCLK pin value, regardless of pin configuration setting.

SDCLKEN TCR13[4]	SDCP TIR2[3]	SDC TIR2[2]	SDCLK Pin Direction	SDCLK Pin Value
0	X	X	I	NA
1	0	0	O	LOW reset default condition
1	1	0	O	HIGH active pulse (when write to TIR2 occurs)
1	0	1	O	HIGH
1	1	1	O	LOW active pulse (when write to TIR2 occurs)

Pin 102: SDDATA

The SDDATA pin may be configured for input or output operation. SDDATA pin configuration is accomplished according to the following table:

Note that a read of the SDD bit (TIR2[0]) will always give the current SDDATA pin value, regardless of pin configuration setting.

SDDT TIR2[1]	SDD TIR2[0]	SDDATA Pin Direction	SDDATA Pin Value
0	0	O	LOW reset default condition
0	1	O	HIGH
1	X	I	NA

Pin 103: SDSEL3

The SDSEL[3] pin may be configured for input or output operation according to the following table:

Note that a read of the SDS[3] bit (TIR2[6]) will always give the current SDSEL[3] pin value without inversion, regardless of pin configuration setting.

SDSEL3EN TCR13[3]	SDS[3] TIR2[6]	<u>SDSEL[3]</u> Pin Direction	<u>SDSEL[3]</u> Pin Value
0	X	I	NA
1	0	O	HIGH reset default condition
1	1	O	LOW

Pin 105: SDSEL2

The SDSEL[2] pin may be configured for input or output operation according to the following table:

Note that a read of the SDS[2] bit (TIR2[5]) will always give the current SDSEL[2] pin value without inversion, regardless of pin configuration setting.

SDSEL2EN TCR13[2]	SDS[2] TIR2[5]	<u>SDSEL[2]</u> Pin Direction	<u>SDSEL[2]</u> Pin Value
0	X	I	NA
1	0	O	HIGH reset default condition
1	1	O	LOW

Pin 107: SDSEL1

The SDSEL[1] pin may be configured for input or output operation according to the following table:

Note that a read of the SDS[1] bit (TIR2[4]) will always give the current SDSEL[1] pin value without inversion, regardless of pin configuration setting.

SDSEL1EN TCR13[1]	SDS[1] TIR2[4]	<u>SDSEL[1]</u> Pin Direction	<u>SDSEL[1]</u> Pin Value
0	X	I	NA
1	0	O	HIGH reset default condition
1	1	O	LOW

Pin 115: TXC

The TXC pin may be configured for input or output operation according to the table below:

TXC input configuration is the reset default configuration. This configuration allows an external transceiver to control the clock that serves as the reference for the transmit data. While in this configuration, the internal TX state machine continues to operate with a reference clock derived from a divided version of the CLKIN input.

Since the external TXC source is not driving the Am79C930 device TX state machine, there exists a

synchronizing FIFO between the CRC generator and the TXDATA pin that is used only in the TXC input mode. This serial FIFO is 16 bits long and is used to allow for slight mismatch between the internal TX state machine reference clock and the external TXC input clock. It is imperative in the TXC input mode that the Data Rate selected with the Data Rate bits of TCR30 must match the expected TXC clock rate from the transceiver. If these rates do not match, then there is a risk of internal serial FIFO error which, if it occurred, would be signaled through the ATFU and ATFO interrupts of TCR11.

TXCIN TCR30[3]	TXC Pin Direction	TXC Pin Value	
0	O	TXC	(result of internal divide of CLKIN)
1	I	NA	reset default condition

Pin 118: $\overline{\text{LFPE}}$

The $\overline{\text{LFPE}}$ pin may be configured for input or output operation according to the table below:

Note that a read of the LFPE bit (TIR0[1]) will always yield the inverted logical sense of the current $\overline{\text{LFPE}}$ pin value, regardless of pin configuration setting.

Note that the value of the LFPE bit (TIR0[1]) also affects the value of the LFCLK pin.

LFPEEN TCR13[6]	LFPE TIR0[1]	CLKGT20 MIR9[7]	$\overline{\text{LFPE}}$ Pin Direction	$\overline{\text{LFPE}}$ Pin Value	LFCLK Pin Value
0	X	X	I	NA	LOW
1	0	X	O	HIGH	LOW reset default condition
1	1	0	O	LOW	CLKIN
1	1	1	O	LOW	CLKIN+2

Pin 120: $\overline{\text{HFPE}}$

The $\overline{\text{HFPE}}$ pin may be configured for input or output operation according to the following table:

Note that a read of the HFPE bit (TIR0[0]) will always yield the inverted logical sense of the current $\overline{\text{HFPE}}$ pin value, regardless of pin configuration setting.

Note that the value of the HFPE bit (TIR0[0]) also affects the value of the HFCLK pin.

HFPEEN TCR13[5]	HFPE TIR0[0]	CLKGT20 MIR9[7]	$\overline{\text{HFPE}}$ Pin Direction	$\overline{\text{HFPE}}$ Pin Value	HFCLK Pin Value
0	X	X	I	NA	LOW
1	0	X	O	HIGH	LOW reset default condition
1	1	0	O	LOW	CLKIN
1	1	1	O	LOW	CLKIN+2

Pin 122: RXPE

The RXPE pin may be configured for input or output operation according to the following table:

Note that a read of the RXP bit (TIR0[2]) will always yield the inverted logical sense of the current RXPE pin value, regardless of pin configuration setting.

RXPELEN TCR13[0]	RXP TIR0[2]	RXPE Pin Direction	RXPE Pin Value
0	X	I	NA
1	0	O	HIGH reset default condition
1	1	O	LOW

Pin 126: $\overline{\text{TXCMD}}$

The $\overline{\text{TXCMD}}$ pin may be configured to drive a transceiver control reference signal, using one of two timing

sources plus input from the TXCMD bit of TIR11 (TIR11[0]), according to the following table:

RCEN TIR11[3]	$\overline{\text{TXCMD}}$ Pin Direction	$\overline{\text{TXCMD}}$ Pin Value
0	O	$\overline{\text{O_TX}}$
1	O	$\overline{\text{TIR11[0]}} \& \overline{\text{T1}}$

Transmit state machine generated signals $\overline{\text{T1}}$, $\overline{\text{T2}}$, $\overline{\text{T3}}$, $\overline{\text{TXP_ON}}$ and $\overline{\text{O_TX}}$ have the timing indicated in the

diagram in section *Am79C930-Based TX Power Ramp Control*.

Pin 129: $\overline{\text{TXPE}}$

The $\overline{\text{TXPE}}$ pin may be configured to drive a transceiver control reference signal, using one of two timing sources plus input from the TXPE bit of TIR11 (TIR11[1]) and the TXPEPOL bit of TCR27, according to the following table:

Transmit state machine generated signals $\overline{\text{T1}}$, $\overline{\text{T2}}$, $\overline{\text{T3}}$, $\overline{\text{TXP_ON}}$ and $\overline{\text{O_TX}}$ have the timing indicated in the diagram in section *Am79C930-Based TX Power Ramp Control*.

RCEN TIR11[3]	TXPEPOL TCR27[1]	$\overline{\text{TXPE}}$ Pin Direction	$\overline{\text{TXPE}}$ Pin Value
0	0	O	$\overline{\text{TXP_ON}}$
0	1	O	TXP_ON
1	0	O	$\overline{\text{TIR11[1]}} \& \overline{\text{T2}}$ (& = logical 'AND')
1	1	O	TIR11[1] + T2 (+ = logical 'OR')

Pin 131: $\overline{\text{TXMOD}}$

The $\overline{\text{TXMOD}}$ pin may be configured to drive a transceiver control reference signal, using input from the TXMOD bit of TIR11 (TIR11[2]) and the TXMODPOL bit of TCR27, according to the following table:

Transmit state machine generated signals $\overline{\text{T1}}$, $\overline{\text{T2}}$, $\overline{\text{T3}}$, $\overline{\text{TXP_ON}}$ and $\overline{\text{O_TX}}$ have the timing indicated in the diagram in section *Am79C930-Based TX Power Ramp Control*.

RCEN TIR11[3]	TXMODPOL TCR27[0]	$\overline{\text{TXMOD}}$ Pin Direction	$\overline{\text{TXMOD}}$ Pin Value
0	0	O	$\overline{\text{T3}}$
0	1	O	T3
1	0	O	$\overline{\text{TIR11[2]}} \& \overline{\text{T3}}$ (& = logical 'AND')
1	1	O	TIR11[2] + T3 (+ = logical 'OR')

Pin 132: ANTSLT

The ANTSLT pin may be configured to drive an internally generated antenna selection signal using the internal antenna diversity circuitry, or it may be controlled by a register bit. Pin functionality is programmed according to the following table:

If it is necessary to force ANTSLT to be always constant, then program ANTS to 0 or use $\overline{\text{ANTSLT}}$ pin, which can be controlled by ANTSLTD (TCR7:[1]).

TX Mode	ANTSEN (TIR16[[3])	ANTEN (TIR4:[7])	
0	0	0	ANTSLT <= low
0	1	0	ANTSEL <= ANTS (TIR26:[4])
0	X	1	ANTSLT <= internal ANTSEL
1	X	X	ANTSLT <= low

Pin 141: $\overline{\text{ANTSLT}}/\text{LA23}$

The $\overline{\text{ANTSLT}}/\text{LA23}$ pin may be configured to operate as input or output and may be configured to drive an

internally generated antenna selection reference signal using the internal antenna diversity circuitry. Note that

some functionality is only available in PCMCIA mode. Pin functionality is programmed according to the following table:

Note that a read of the $\overline{\text{ANTSLTD}}$ bit (TCR7[1]) will always give the current $\overline{\text{ANTSLT}}$ /LA23 pin value without inversion, regardless of pin configuration setting.

PCMCIA Pin Value	ANTSEN TIR26[3]	ANSLTLFN TCR30[7]	ANTSLTLEN TCR15[7]	ANTSLT/ LA23 Pin Direction	ANTSLT/ LA23 Pin Value
0	X	X	X	I	NA (LA23 input function)
1	0	0	X	O	$\overline{\text{ANTSLT}}$ (from internal antenna) (diversity circuit)
1	X	1	0	I	NA
1	X	1	1	O	TCR7[1]
1	1	0	X	O	$\overline{\text{TIR26}}[4]$ (write) $\overline{\text{TIR26}}[5]$ (read)

Pin 142: TXCMD/LA21

The TXCMD/LA21 pin may be configured to operate as input or output and may be configured to drive a transceiver control reference signal using one of two timing sources plus input from the TXCMD bit of TIR11 (TIR11[0]). Note that some functionality is only available in PCMCIA mode.

Transmit state machine generated signals $\overline{\text{T1}}$, $\overline{\text{T2}}$, $\overline{\text{T3}}$, $\overline{\text{TXP_ON}}$ and $\overline{\text{O_TX}}$ have the timing indicated in the diagram in section *Am79C930-Based TX Power Ramp Control*.

Pin functionality is programmed according to the following table.

Note that a read of the TXCMDT bit (TCR7[2]) will always give the current TXCMD/LA21 pin value without inversion, regardless of pin configuration setting.

PCMCIA Pin Value	RCEN TIR11[3]	TXCMFN TCR30[5]	TXCMEN TCR15[5]	TXCMD/ LA21 Pin Direction	TXCMD/ LA21 Pin Value
0	X	X	X	I	NA (LA21 input function)
1	0	X	X	O	O_TX
1	1	0	X	O	TIR11[0] + T1
1	1	1	0	I	NA
1	1	1	1	O	TCR7[2]

Pin 143: TXDATA/LA20

The TXDATA/LA20 pin may be configured to operate as input or output and may be configured to drive inverted transmit data. Note that some functionality is only available in PCMCIA mode. Pin functionality is programmed according to the following table:

The $\overline{\text{TXDATA}}$ signal is the inverse of the TXDATA signal which is the TX data drawn from the TX FIFO using the internal TX state machine control.

Note that a read of the TXDATALD bit (TCR7[0]) will always give the current $\overline{\text{TXDATA}}$ /LA20 pin value without inversion, regardless of pin configuration setting.

PCMCIA Pin Value	TXDLFN TCR30[6]	TXDLEN TCR15[6]	$\overline{\text{TXDATA}}$ / LA20 Pin Direction	$\overline{\text{TXDATA}}$ / LA20 Pin Value
0	X	X	I	NA (LA20 input function)
1	0	X	O	$\overline{\text{TXDATA}}$ (from internal TX FIFO using internal TX state machine timing)
1	1	0	I	NA
1	1	1	O	TCR7[0]

Pin 144: LLOCKE/SA15

The LLOCKE/SA15 pin may be configured to operate as input or output. Note that some functionality is only available in PCMCIA mode. Pin functionality is programmed according to the following table:

Note that a read of the LLOCKE bit (TIR11[4]) will always give the current LLOCKE/SA15 pin value without inversion, regardless of pin configuration setting.

PCMCIA Pin Value	LLOCKEN TCR14[6]	LLOCKE/SA15 Pin Direction	LLOCKE/SA15 Pin Value
0	X	I	NA (SA15 input function)
1	0	I	NA
1	1	O	TIR11[4]

FUNCTIONAL DESCRIPTION

Basic Functions

System Bus Interface Function

The Am79C930 device is designed with a choice of two system bus interfaces. The system designer may choose between the PCMCIA bus and the ISA (IEEE P996) bus with support for Plug and Play. Both interfaces support an 8-bit wide data bus. The system interface is used by the host driver software to initialize the Am79C930 device through a series of slave I/O accesses to the Am79C930 device. Device operation is monitored by accessing Am79C930 registers through the system bus interface. Network data is transferred to/from the driver through slave memory accesses at the system bus interface. Network data is stored in the SRAM that accompanies a complete Am79C930-based design.

Memory Bus Interface Function

The Am79C930 device contains a memory bus interface, which is used by the Am79C930 device to gain access to Flash memory for fetching 80188 instructions and to gain access to SRAM for fetching and storing driver commands, network data, and for temporary variable storage. Software driver transfers of network data are passed to the Am79C930 device through the system bus interface and will be automatically rerouted to the memory bus interface in order to reach the SRAM.

Software Interface Function

The software interface to the Am79C930 consists of a set of 256K memory locations and 16 (or 40) I/O locations. 128K of these memory locations map directly to an SRAM that is attached to the memory interface. Another 128K maps to a Flash memory device. Due to overlapping address space as viewed by the 80188 embedded processor core, 128 bytes of the SRAM space are not usable for driver function. Additional registers exist in the Am79C930 device for use by industry standard PCMCIA and ISA Plug and Play configuration utilities.

Network Interface Function

The Am79C930 device can be connected to an IEEE 802.11 (draft) network via a flexible network interface. The flexible network interface allows the user to define much of the pin functionality in order to assist in accommodating the Am79C930 device to a number of different network transceivers. Pin control is achieved through Transceiver Attachment Interface (TAI) registers (TIR

and TCR). These registers are controlled through 80188 firmware instructions.

Detailed Functions

Block Level Description

Bus Interface Unit

The Bus Interface Unit (BIU) supports either of two common interfaces: PCMCIA and ISA (IEEE P996) with Plug and Play. The choice of interface is determined through a pin strapping option via the PCMCIA pin.

Two sets of command and status registers exist within the BIU. One set of registers is labeled System Interface Registers (SIR). The SIR registers are used to control the general function of the device by providing various resets and by allowing some direct communication between the host system and the embedded 80188. The SIR registers are visible to the system interface, but are not visible to the 80188 embedded core. The second set of BIU registers is the MAC Interface Registers (MIR). The MIR registers are visible to the 80188 embedded core, but are not visible from the system interface. Some commands within each register set allow indirect communication between the system interface and the 80188 core.

Another set of registers is located in the Transceiver Attachment Interface Unit, the TIR registers. The TIR locations are visible through the BIU. These registers are normally used by the 80188 core to control the Transceiver function; they are visible through the system interface primarily for diagnostic purposes.

The PCMCIA Card Configuration Registers and the set of ISA Plug and Play registers are implemented in the BIU. PCMCIA Card Information Structure and the ISA Plug and Play Resource Data area are both mapped to Flash space and are accessible through the system interface of the BIU.

All Am79C930 registers are located in I/O space as viewed from the system interface. There are no memory resources located inside of the BIU unit, although there are memory resources that are accessed through the BIU. For a complete description of all resources accessible inside of and through the BIU, see the Software Access section.

For a complete description of all resources accessible by the embedded 80188 processor, see the 80188 Firmware section.

PCMCIA Interface — The Am79C930 device fully supports the PCMCIA standard, revision 2.1.

The PCMCIA interface on the Am79C930 device supports both memory and I/O cycles. The data bus is 8 bits in width. The address bus is 15 bits in width. Memory accesses are enabled by default at power up. I/O accesses are enabled only when the ConfIndex bits of the PCMCIA Configuration Option Register have a non-zero value. It is not possible to disable the memory access response function. The Am79C930 device requires 32K of Common memory space and 16 or 40 bytes of I/O space. Since all Am79C930-based memory resources are also mapped into an I/O port, it is possible to operate with a Common memory space allocation of 0 bytes.

The Am79C930 device supports the Card Information Structure and the Card Configuration Registers defined in the PCMCIA 2.1 standard, by decoding 2K+4 bytes of Attribute memory space. The first tuple of the Card Information Structure must be located at PCMCIA Attribute Memory location 0h. Note that in the Am79C930 device, Attribute Memory locations 000h–07FFh are mapped to the upper 1 Kbytes of the 128K Flash memory space (i.e., Flash memory locations 1FC00h–1FFFFh). The upper 1K–16 byte locations of the Flash memory device must be reserved for PCMCIA Card Information Structure use. (The uppermost 16 bytes of the Flash memory may not be used for PCMCIA CIS space, since the 80188 core will fetch its first instructions from these locations following a reset operation. These locations correspond to PCMCIA Attribute memory locations 7F0h–7FFh.)

Note that the 2 Kbytes of Attribute memory 0000h–07FFh are mapped to only 1 Kbytes of Flash memory. Since the PCMCIA specification indicates that only even addressed bytes of Attribute memory are defined to exist, only the even addressed 1K of the 2K Attribute memory space is actually physically present. Odd addressed Attribute memory locations in the Am79C930 device are undefined.

While the Common memory space of the Am79C930 device only accommodates access to 32 Kbytes of Common memory, the Am79C930 device uses device select and bank select bits (bits 5:3 of the BSS register (SIR1)) in order to access a total of 256K of memory space.

When accessing Common memory resources through PCMCIA common memory accesses, lower memory addresses at the PCMCIA interface are passed directly to the memory interface bus, and the Flash Memory Chip Enable (FCE) or the SRAM Chip Enable (SCE) signal is asserted, depending upon the value of SIR1[5]. The upper two bits of the memory interface address bus are set according to the value of SIR1[4:3]. The PCMCIA memory access control signals (\overline{WE} , \overline{OE} ,

$\overline{CE1}$) are automatically translated into the appropriate memory interface signals (\overline{RD} , \overline{WR}).

The PCMCIA Card Configuration registers that are supported are the Configuration Option Register and the Card Configuration and Status Register. These two registers are physically located in the Bus Interface Unit and logically exist *only* in PCMCIA Attribute memory space (i.e., they are not also mapped to Common memory space.) They are located at Attribute memory locations 0800h and 0802h, respectively. The location of these registers is fixed. Therefore, the information programmed into the CIS *must* give the value 2K (=0800h) as the Card Configuration Registers Base Address in the TPCC_RADR field of the Configuration Tuple.

The PCMCIA Card Configuration registers are the only writable PCMCIA Attribute memory locations within the Am79C930, because these two registers do *not* correspond to Flash memory locations, and these two locations are not CIS structures.

The Am79C930 device occupies either 16 bytes of I/O space or 40 bytes of I/O space, depending upon the setting of the EIOW bit (bit 2 of the BSS register (SIR1)). The I/O space of the Am79C930 contains the General Configuration Register, the Bank Switching Select Register, and the set of 32 TIR registers. Additionally, all Am79C930 resources are accessible through I/O accesses (i.e., all *memory* structures are accessible through the Local Memory Address and I/O Data Ports).

The Local Memory Address port (SIR2,3) plus SIR1[5:3] function together as a pointer to the memory resources of the Am79C930 device. SIR1[5] determines the device selected (SRAM or Flash) and SIR1[4:3] and LMA[14:0] supply the address to the selected device whenever the I/O Data Port is read or written. Whenever any of the four I/O Data Ports is accessed, then the Local Memory Address Port value is automatically incremented by a value of 1.

Because of the existence of the Local Memory Address and I/O Data Ports, the Am79C930 device may be used in an I/O only fashion. Appropriate configuration information may be placed into the CIS space so that the PCMCIA configuration utility will assign no memory space to the Am79C930-based design. Note, however, that the Am79C930 device will always respond to Common memory accesses that are directed to the 0000h–7FFFh range, if they occur in the PCMCIA slot in which the Am79C930-based design resides. The Common memory slave response function is always active on the Am79C930 device; it is not possible to disable this function. The Am79C930 device does not attempt to interpret the ConfIndex value of the PCMCIA Configuration Option Register except for purposes of enabling the I/O slave response function.

ISA (IEEE P996) Plug and Play Interface — The Am79C930 device fully supports the ISA Plug and Play specification, revision 1.0a.

The ISA Plug and Play interface on the Am79C930 device supports both memory and I/O cycles. The data bus is 8 bits in width. The total system space required by the Am79C930 device is 32 Kbytes and 16 bytes of I/O space. Since all Am79C930-based memory resources are also mapped into an I/O port, it is possible to operate a Am79C930-based design with a system memory allocation of 0 bytes.

When the 32K system memory option is selected, the Am79C930 device uses device select and bank select bits in the BSS register (SIR1) in order to allow system access to a total of 256K of Am79C930 memory resources. The total system I/O space required by the Am79C930 device is 16 bytes. The 40-byte I/O option is not available in the ISA Plug and Play mode of operation. The EIOW bit (bit 2 of the BSS register (SIR1)) will be forced to 0 when the Am79C930 device has been placed into ISA Plug and Play mode. The I/O space of the Am79C930 device contains the General Configuration Register, the Bank Switching Select Register, and the set of 32 TIR registers. Additionally, all Am79C930 resources are accessible through I/O accesses (i.e., all *memory* structures are accessible through the Local Memory Address and Data Ports (SIR2,3,4,5,6,7)).

The Local Memory Address port plus SIR1[5:3] function together as a pointer to the memory resources of the Am79C930 device. SIR1[5] determines the device selected (SRAM or Flash) and SIR1[4:3] and LMA[14:0] supply the address to the selected device whenever the I/O Data Port is read or written. Whenever any of the four I/O Data Ports is accessed, then the Local Memory Address Port value is automatically incremented by a value of “1.”

The Am79C930 device maps 1K–16 bytes of the upper 1K of the 128K of Flash memory space into the ISA Plug and Play Resource Data structure. (The upper 16 bytes of this space may not be used for ISA Plug and Play Resource Data, since this space is needed to store the first instructions that will be fetched by the 80188 core following the reset operation.) Byte 0 of the Am79C930 device's Resource Data is mapped to location 1FC00h of the Flash memory. Reads of the ISA Plug and Play Data Resource register will automatically access Flash memory locations in the range 1FC00h through 1FFF0h. Since all Flash memory locations are always accessible through ordinary ISA memory accesses, ISA memory accesses to locations MBA+7C00h – MBA+7FF0h will *sometimes* correspond to the same physical locations as ISA Plug and Play accesses to Resource Data bytes 000h – 3F0h (i.e., the correspondence will occur when the device and bank select bits of SIR1 are pointing at the upper quadrant of the 128K Flash memory address space).

When accessing Am79C930 memory resources through ISA memory cycle accesses, the upper 9 bits of the ISA memory address will be used to check for a match of the address range assigned to the Am79C930 device by the Plug and Play configuration program (i.e., the Memory Base Address = MBA). (The Plug and Play configuration program will have written a memory base address value into the Memory Base Address registers—Plug and Play ports 40h and 41h—following system boot up and auto-configuration.) The ISA Plug and Play memory base address *must* be aligned to a 32K boundary in memory space. This alignment requirement should be included in the Resource Data that is programmed into the Flash device and read by the Plug and Play configuration utility. These conditions *must* be satisfied, since the Am79C930 device's Bus Interface Unit will use the upper 9 bits of the ISA memory address to determine when an address match has been achieved.

When accessing Am79C930 memory resources through ISA system memory accesses and when the upper bits of the ISA address are determined to match the Am79C930 memory space, then the lower memory addresses at the ISA interface are passed directly to the memory interface bus, and the Flash Memory Chip Enable (\overline{FCE}) or the SRAM Chip Enable (\overline{SCE}) signal is asserted, depending upon the value of SIR1[5]. The upper two bits of the memory interface bus are set according to the value of SIR1[4:3]. ISA memory access control signals (\overline{MEMR} , \overline{MEMW}) are automatically translated into the appropriate memory interface signals (\overline{RD} , \overline{WR}).

When accessing Am79C930 I/O resources through ISA I/O cycle accesses, the upper 8 bits of the ISA system address will be ignored. Only the lower 16 bits of address will be used to check for a match of the address range assigned to the Am79C930 device by the Plug and Play configuration program (i.e., the I/O Base Address = IOBA). (The Plug and Play configuration program will have written an I/O base address value into the I/O Base Address registers—Plug and Play ports 60h and 61h—following system boot up and auto-configuration.) The ISA Plug and Play I/O base address *must* be aligned to a 16-byte boundary in I/O space. This alignment requirement should be included in the Resource Data I/O Port Descriptor Base Alignment field that is programmed into the Flash device and read by the Plug and Play configuration utility. These conditions *must* be satisfied for proper operation.

The Am79C930 device fully supports the Plug and Play Auto-configuration scheme. The Plug and Play ADDRESS port, WRITE_DATA port and READ_DATA port are all supported, as well as 19 of the ISA Plug and Play Registers. For more detail, see the *ISA Plug and Play section*.

Memory Interface

The memory interface is provided to support direct connection of both a non-volatile memory (typically Flash memory) and an SRAM and an additional peripheral device. Separate chip enables for Flash, SRAM, and an extra peripheral device exist in the memory interface. The 32K range of address space visible at the system interface (either PCMCIA or ISA Plug and Play) maps to a total of 256K of memory through the use of a device select bit and bank switching bits in the Bank Switching Select register (SIR1). 128K of space is reserved for Flash memory and 128K of space is reserved for SRAM. The 32 bytes of space reserved for the extra peripheral device are only accessible by the embedded 80188 core.

The internal Transceiver Attachment Unit also resides on the memory interface bus and uses 8 bytes (or 32) bytes of I/O space as viewed by the system interface. These same registers occupy 32 bytes of the SRAM's memory space (i.e., instead of I/O space) as viewed by the embedded 80188 core. The MIR registers of the BIU occupy an additional 16 bytes of SRAM space as viewed by the embedded 80188 core. The MIR registers are not visible to the system interface.

The memory interface bus is shared between the system interface and the embedded 80188 processor. Memory interface bus sharing between the system interface and the 80188 processor core is based upon an equal priority delivered in a round robin fashion. Whenever the system interface is accessing a device on the memory interface bus, then the 80188 core is placed into ready wait. Whenever the 80188 core is accessing a device on the memory interface bus, then the system interface bus activity will be given a ready wait. When the current memory interface bus master has completed its cycle, then the other memory interface bus master will be given control of the memory interface bus.

The 80188 memory accesses are directed toward Flash, SRAM, the \overline{XCE} peripheral device, TAI registers (TIR/TCR), or BIU registers (MIR) according to the \overline{UCS} and \overline{LCS} signals of the 80188 core. Normally, whenever \overline{UCS} is active during an 80188 memory access, the access is directed toward the Flash memory; and whenever \overline{LCS} is active during an 80188 memory access, the access is directed toward the SRAM memory or the \overline{XCE} peripheral device or the TAI registers or BIU registers. Along with the \overline{UCS} and \overline{LCS} signals, 17 of the 80188 address lines are internally connected through the BIU to the memory interface bus, allowing 256K of memory to be addressed by the 80188. (128K of Flash and 128K of SRAM/ \overline{XCE} /TAI/BIU may be addressed by the 80188, for a total of 256K of memory.)

An alternate addressing mode will alias the upper 96 Kbytes of Flash memory into the upper 96 Kbytes of SRAM space, while preserving the location of the lower 32K of SRAM, the \overline{XCE} peripheral, and the TAI/BIU

registers. This mode allows for 32K of SRAM/ \overline{XCE} /TAI/BIU and 32K of Flash to reside in a single 64 Kbyte segment of 80188 memory space. This mode is selected through a bit in the MIR0 register.

The TAI connects to only a portion of the memory interface bus. Specifically, the lowest five address bits and the entire data bus of the memory interface connect to the TAI. A separate internal chip select signal for the TAI exists to avoid confusion among slave devices. This signal is not available on the Am79C930 memory interface bus, and therefore, memory interface cycles may be observed for which neither the Flash chip enable, nor the SRAM chip enable, nor the \overline{XCE} signal is asserted. Similar behavior is observed when the 80188 core is accessing registers which are located within the BIU.

Embedded 80188

The embedded 80188 core provides the basic means for implementing IEEE 802.11 (draft) MAC functionality. The elements of the Am79C930 device that are involved in MAC function include the 80188 core, the Flash memory, the SRAM memory, the timers within the 80188, the sleep timer in the BIU, the Transceiver Attachment Unit, and the associated busses and signaling that connect the 80188 core to the BIU and the Transceiver Attachment Unit.

The Am79C930 device directly incorporates some of the basic protocol requirements for operation of a IEEE 802.11 (draft) node. Other portions of the IEEE 802.11 (draft) MAC protocol need to be created with appropriate firmware written to execute on the 80188 core.

With proper 80188 coding, the Am79C930 device can be made to operate according to the IEEE 802.11 (draft).

Media Access Management — The IEEE 802.11 (draft) protocol defines a media access mechanism which permits all stations to access the channel with equality. Synchronous time-bounded service and asynchronous time-bounded access service are also defined in the IEEE 802.11 (draft) specification. Any node can attempt to contend for the channel by waiting for a pre-determined time (Inter Frame Spacing) after the last activity, and then waiting an additional random backoff time before determining whether to attempt to transmit on the media. If two or more nodes simultaneously contend for the channel, their signals will interact causing loss of data, defined as a collision. It is the responsibility of the MAC to attempt to avoid and recover from a collision in order to insure data integrity for the end-to-end transmission to the receiving station.

Medium Allocation

The IEEE 802.11 (draft) standard requires that each Carrier Sense Multiple Access/Collision Avoidance (CSMA/CA) MAC monitor the medium for traffic by watching for carrier activity. When carrier is detected,

the media is considered busy and the MAC should defer to the existing message. This function is implemented in hardware in the TAI Unit.

Additionally, each station is required to implement a Net Allocation Vector (NAV) in order to determine when the medium is expected to be busy. The NAV is updated as Request-to-Send (RTS), Send (CTS), and DATA frames arrive at the station. RTS, CTS, and DATA frames include a field that indicates the expected length of the RTS-CTS-DATA-ACK exchange. The MAC uses the value in this field to update the NAV and then defers from initiating transmissions until the NAV has counted down to zero. If any portion of the RTS-CTS-DATA-ACK exchange is missing, then a MAC timer will timeout and the NAV is reset to zero at that time. By refraining from transmission while the NAV is non-zero, the MAC is practicing collision avoidance.

NAV values may be maintained through use of one of the 80188 timers. If there is no backoff in progress when the NAV counter value times out, the firmware will initiate transmission of a frame.

Initialization — Am79C930 device initialization is performed by asserting the Am79C930 RESET input for more than 14 clocks. Following the release of the RESET signal, the Am79C930 device's embedded 80188 core will exit the reset state. The embedded 80188 will then proceed with instruction fetching and execution from memory location FFFF0h. The first fetch will occur within 13 CLKIN clocks (= 6 and 1/2 80188 CPU clock cycles) of the release of the 80188 reset. The 80188 address FFFF0h will map to a Flash memory location, since the UMCS register of the 80188 core will be set to FFF8h following reset. This UMCS value will ensure that the initial 80188 address fetch will cause an assertion of the UCS signal, which will cause the memory interface bus logic to select the Flash memory device. 80188 firmware must modify the value of the UMCS register after the first few execution cycles in order to make more than 1K of the Flash memory available to the 80188 core.

The 80188 firmware should make no access to MIR registers or to TAI registers (TIR and TCR) until the following steps have been completed. *Note that these steps MUST be performed in the order given:*

1. The 80188 firmware must perform a write to the 80188 internal LMCS register and set the wait states to 0 and set the READY control to "also use external RDY" (i.e., set R2,R1,R0 to 000b). No other value should be written to these bits. Note that the value that will eventually be written to the BIU MIR8 register will cause the Am79C930 internal SRDY signal to be asserted for the proper number of cycles and will cause the 80188 to experience the proper delay for the SRAM memory device in the Am79C930-based system.
2. The 80188 firmware must perform a write to the 80188 internal UMCS register and set the wait states to 0 and set the READY control to "also use external RDY" (i.e., set R2,R1,R0 to 000b). No other value should be written to these bits. Note that the value that will eventually be written to the BIU MIR9 register will cause the Am79C930 internal SRDY signal to be asserted for the proper number of cycles and will cause the 80188 to experience the proper delay for the Flash memory device in the Am79C930-based system.
3. The 80188 firmware must perform a write to the Am79C930 internal MIR8 register and set the Flash-WAIT bits to a value that is appropriate for the Flash memory timing, given the Am79C930 CLKIN pin frequency and the particular speed-grade of the Flash memory used in the design.
4. The 80188 firmware must perform a write to the Am79C930 internal MIR9 register and set the SRAMWAIT bits to a value that is appropriate for the SRAM memory timing, given the Am79C930 CLKIN pin frequency and the particular speed-grade of the SRAM memory used in the design.

SRAM Memory Management — The 80188 core accesses the SRAM memory by asserting its Lower Chip Select (80188 $\overline{\text{LCS}}$). (Actually, SRAM space is selected whenever the 80188 memory access does *not* activate the UCS signal. The internal Upper Chip Select (UCS) signal is routed into the Bus Interface Unit, since the 80188 core and the Bus Interface Unit must share the memory interface bus. When $\overline{\text{UCS}}$ is not activated for an 80188 transfer, the BIU unit assumes that SRAM accesses are desired. Therefore, during 80188 accesses for which UCS is not asserted, $\overline{\text{SCE}}$ will be asserted, except for a section of lower memory space that is redirected toward the TAI section of the Am79C930 device.) The $\overline{\text{SCE}}$ signal may be attached to the $\overline{\text{CE}}$ input of an SRAM memory device external to the Am79C930 device. Up to 128K of SRAM may be addressed by the 80188 core (with the exception that 64 bytes of SRAM space is mapped into internal Am79C930 registers of the BIU and TAI.)

An alternative mapping scheme allows some portion of the Flash memory to be mapped into a portion of $\overline{\text{LCS}}$ space. (Normally, Flash memory is mapped *only* to UCS space.) Therefore, depending upon the mapping scheme that is chosen, $\overline{\text{LCS}}$ may either access SRAM plus BIU plus TAI space, or $\overline{\text{LCS}}$ may access a portion of SRAM plus BIU plus TAI space plus a portion of Flash memory space. For mapping details, see the section on MAC Firmware Resources.

Address values are delivered from the 80188 core to the SRAM through the BIU and then to the Memory Address Bus (signals MA[16:0]). AD [7:0] 80188 address signals are latched inside of the BIU to allow system interface

accesses to use the memory interface bus during the T1 and T2 cycles of the 80188 access. The Memory Address Bus is internally shared between the 80188 core and the BIU. This bus also attaches to the Transceiver Attachment Unit as an input only.

Data values are delivered from the 80188 core to the SRAM through the BIU and then to the Memory Data Bus (signals MD[7:0]). This bus is shared by the BIU for access to the SRAM and also attaches to the Transceiver Attachment Unit.

Flash Memory Management

The 80188 core accesses the Flash memory by asserting its Upper Chip Select (80188 \overline{UCS}). This signal remains internal to the Am79C930 device. The internal \overline{UCS} signal is routed into the BIU, since the 80188 core and the BIU must share the memory interface bus. The BIU in turn produces the Memory Interface signal \overline{FCE} that may be attached to the \overline{CE} input of a Flash memory device external to the Am79C930 device.

An alternative mapping scheme allows some portion of the Flash memory to be mapped into a portion of \overline{LCS} space. (Normally, Flash memory is mapped only to \overline{UCS} space.) Therefore, depending upon the mapping scheme that is chosen, Flash memory may be visible only in \overline{UCS} space, or portions of Flash memory may be visible in both \overline{LCS} and \overline{UCS} spaces. For mapping details, see the section on *MAC Firmware Resources*.

Address values are delivered from the 80188 core to the Flash memory through the BIU and then to the Memory Address Bus (signals MA[16:0]). The Memory Address Bus is shared between the 80188 core and the BIU. The sharing uses a priority scheme where the requester always has higher priority than the current bus master. This ensures that in the worst case the system interface access will be delayed only by the length of a single 80188 access, and an 80188 access will be delayed at most by the length of a single system interface access. The requesting access is always held off by asserting the local ready signal. The memory interface bus also attaches to the TAI Unit. The TAI is a bus slave device; it cannot act as a bus master.

Data values are delivered from the 80188 core to the Flash memory through the BIU and then to the Memory Data Bus (signals MD[7:0]). Up to 128K of Flash memory may be addressed by the 80188 core. Note that for PCMCIA operation, the 1K–16 bytes of the upper 1K locations may be used for the PCMCIA CIS, since these locations are mapped to Attribute Memory space when

the PCMCIA mode of operation has been selected. Note that the uppermost 16 bytes of Flash space are used by the 80188 core to fetch initial instructions following a reset operation of the Am79C930 device. Therefore, these 16 bytes cannot be used for PCMCIA CIS. Note that both the 80188 core and the system interface (through Common Memory mapping) have access to the PCMCIA CIS storage area, even though these locations should be reserved for PCMCIA CIS use.

Transceiver Attachment Interface Unit Management

The 80188 core communicates with the TAI Unit through memory accesses that the 80188 core performs on the Memory Interface bus through the BIU. TIR registers are mapped to 32 byte locations of the SRAM space, thereby rendering those 32 bytes of SRAM as inaccessible to the 80188 core. Command and status information for the TAI is passed through the TIR registers. Network data is passed to/from the TAI FIFOs with DMA cycles. The TAI uses DMA channels 0 and 1 of the 80188 core. DMA channel 0 is used by the RX FIFO and DMA channel 1 is used by the TX FIFO. The 80188 core must activate its \overline{LCS} signal to access the TIR registers, just as in the case of SRAM accesses. As a result, the TAI register set overlaps a very small portion of the SRAM space. The TAI may send interrupts to the 80188 core through the INT0 interrupt.

Bus Interface Unit Interaction

The 80188 core communicates with the driver software through a shared area of SRAM. When either the driver software or the 80188 core modifies this area of SRAM, an interrupt is generated to notify the receiving subunit. Most command and status information for the adapter may be passed to the driver through the shared SRAM. However, a few physical registers do exist in the BIU to facilitate the exchange of some very high level commands, such as RESET, HALT, POWERDOWN and INTERRUPT. Each subunit (device driver and 80188 core) is allotted its own set of BIU registers. The device driver has access to eight System Interface Registers (SIR) that reside in the BIU. The 80188 core has access to 16 MAC Interface Registers (MIR) that reside in the BIU. Communication of high-level command and status information between the two subunits is indirectly accomplished, in that modification of bits in the SIR space will affect bits in the MIR space and vice versa, but the device driver has no direct access to the MIR space and the 80188 core has no direct access to the SIR space.

Transceiver Attachment Interface Unit

The TAI Unit includes the following subfunctions:

- TAI register set
- TX FIFO
- TX data serialization
- TX CRC32 generation
- TX CRC8 generation
- TX status reporting
- RX preamble and Start of Frame detection
- RX data deserialization
- RX FIFO
- RX CRC32 checking
- RX CRC8 checking
- RX status reporting
- Bit ordering
- RSSI A/D circuit
- Physical Header Accommodation
- Encryption/decryption support
- Data Scrambling
- DC Bias Control
- Baud Determination logic
- CCA circuit
- Antenna diversity logic

The TAI provides the necessary functionality to directly connect to a variety of possible transceiver interface styles. In the PCMCIA mode of operation, 24 pins are directly controllable through register access by the device driver and the 80188 core firmware. These 24 pins may be combined with the fixed function pins of the network interface to create a customer-specific network interface. In the ISA Plug and Play mode of operation, the number of programmable pins is reduced to 10, while the fixed function pins remain unchanged.

The TAI is logically located on the Am79C930 memory interface bus as a slave-only device. The TAI contains 64 registers that are used to configure operational parameters, to communicate commands, to pass data, and to pass status. Thirty-two of the registers are directly accessible to the 80188 core and to the system interface. These 32 registers are labeled TAI Interface Registers (TIR). An additional 32 TAI registers are indirectly accessible through an address and data port in the TIR register set. These 32 registers are labeled TAI Configuration Registers (TCR).

Data transfers from the RX FIFO are requested through the internal 80188 core input DRQ0. Data transfers to the TX FIFO are requested through the internal 80188 core input DRQ1. Interrupts from the TAI are requested through the internal 80188 core input INT0.

The TAI supplies an antenna select pin to allow for selection between two possible antennas. The Am79C930 device has provision for both automatic and manual

selection of antennas. If automatic antenna selection is not used, then the desired antenna selection is accomplished through the setting of appropriate bits in one of the TIR registers.

TX FIFO

The TAI contains individual FIFOs for RX and TX operations. The TX FIFO holds a maximum of 8 bytes. The TX FIFO indicates a “not full” state by signaling a request for data on the DRQ1 input of the 80188 embedded core. The DRQ1 output of the TAI subunit is active if the TX FIFO condition is met, regardless of the state of the TXS bit of TIR8. TX FIFO DMA activity is prevented by disabling the DMA1 controller in the 80188.

The TX FIFO holds a maximum of 8 bytes of data. Actual TX FIFO byte count can be read from TIR9. Preamble and Start of Frame Delimiter and any necessary PHY subunit header information must be assembled by the 80188 core firmware and then loaded into the TX FIFO for inclusion in the TX frame. The TAI subunit has no built in capabilities for preamble, SFD, or PHY header generation.

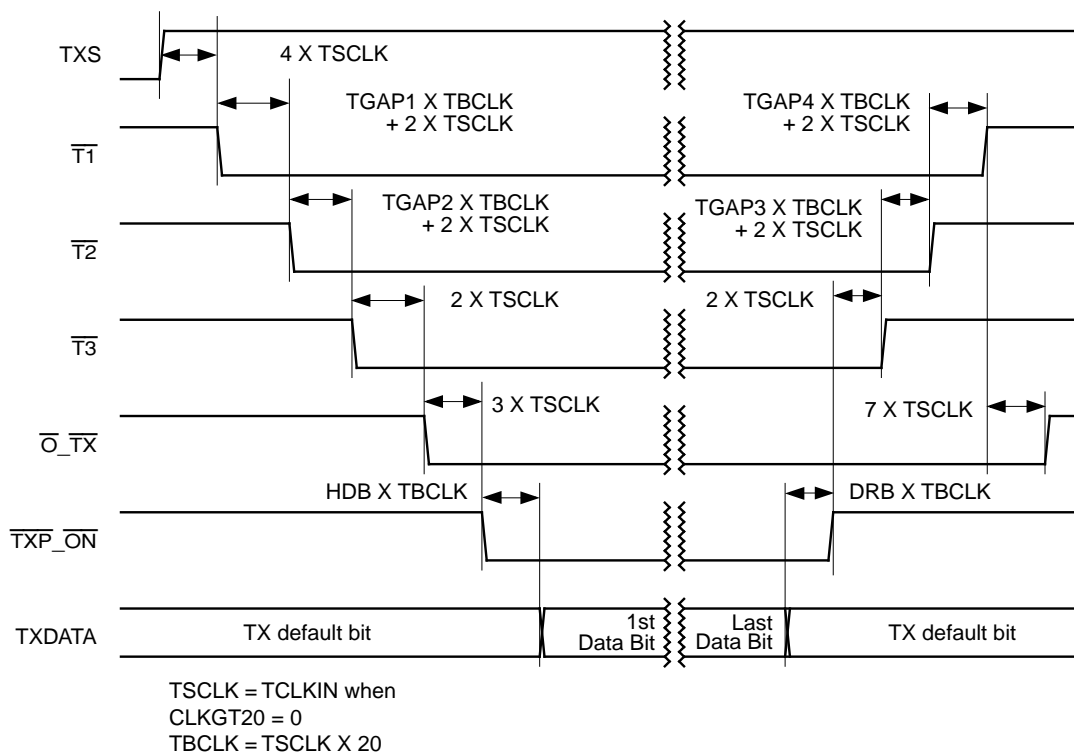
TX Power Ramp Control

The Am79C930 device includes state-controlled output signals that may be used to perform transceiver power sequencing. For transceivers that create their own transmit power sequencing, a single input signal (CTS) is provided to allow for smooth synchronization between the Am79C930 device and the transceiver.

Am79C930-based TX Power Ramp Control — The following is the description of the Am79C930 device’s state-controlled output signals. The subsequent section is a description of the CTS input signal and its intended use.

Once the TX start command has been issued to the TAI by the 80188 core firmware (TXS bit of TIR8), a sequence of transceiver enable signals will be generated in order to ramp up the power to the various sections of the transceiver (i.e., $\overline{\text{TXCMD}}$, $\overline{\text{TXPE}}$, $\overline{\text{TXMOD}}$). Once the final enable signal has been sent to the transceiver, the TAI will begin to remove data from the TX FIFO. As each byte of data is removed from the TX FIFO, the TAI subunit will serialize the byte and send the individual bits of the data out the TXDATA pin at the specified data transmission rate.

Timing for the transmit ramp up and ramp down sequence is generated from 5 internal signals whose timing relationships may be directly controlled by register programming (TCR5, TCR6). The following diagram illustrates the relationships among the five internal signals and the registers that control them.



20183B-7

Figure 1. Transmitter Power Ramp Control

The values HDR, DRB, TGAP1, TGAP2, TGAP3, and TGAP4 are programmable values that are stored in TCR register locations TCR0, TCR5, and TCR6. All other timings in the diagram are fixed with the values indicated. The CLKGT20 control bit is located in MIR9[7].

The timing of the five internal signals can be applied to the external pins \overline{TXCMD} , \overline{TXPE} , and \overline{TXMOD} in either of two ways, depending upon the value programmed into the RCEN bit of TIR11 as shown in the following table:

Pin Name	Timing Reference When RCEN=0	Timing Reference When RCEN=1
\overline{TXCMD}	$\overline{O_TX}$	$\overline{T1}$
\overline{TXPE}	$\overline{TXP_ON}$	$\overline{T2}$
\overline{TXMOD}	$\overline{T3}$	$\overline{T3}$

Note that the TXCMD, TXPE, and TXMOD bits of TIR11 may also affect the values of the \overline{TXCMD} , \overline{TXPE} , and \overline{TXMOD} pins. See the individual descriptions of these pins in the *Multi-Function Pin* section of this document for more detail.

The polarity of \overline{TXMOD} and \overline{TXPE} are programmable. A separate TXCMD signal (inverse polarity to \overline{TXCMD}) is available.

Transceiver-Based TX Power Ramp Control — The CTS signal may be used to synchronize operations between the Am79C930 device and transceivers that wish to perform their own transmit timing sequence. When the CTS signal is enabled by setting the CTSEN bit of TCR7 to a 1, then the CTS input acts as a gating signal with respect to the start of the Am79C930 transmit operations. An example of the use of the CTS signal would be when a transceiver is in control of the decision to transmit. The Am79C930 device must first indicate a desire to transmit by asserting one of the user-definable output pins to the transceiver and then by setting the TXS bit of TIR8. These actions place the Am79C930 device's transmit state machine in a "wait for CTS" state. When the transceiver concludes that the medium is free and a transmission may begin, then it asserts the CTS signal to the Am79C930 device and the internal transmit state machine will begin to send data to the transceiver. For this application, the TXCMD signal would indicate to the transceiver a desire to transmit, and the multifunction pin USER1/IRQ12/EXTCTS/INT188 would provide the return path to the Am79C930 device indicating the transceiver's decision to proceed with the transmission.

TX CRC Generation

A CRC may be automatically calculated for each frame that is transmitted. The CRC is automatically appended to the end of the frame when an appropriate TIR bit has been set. The CRC appended to the transmit frame depends upon the setting of the TCRC bits of TIR8. Either an 8-bit CRC or a 32-bit CRC may be appended. An option to append no CRC may also be selected. The CRC that is selected may be changed on a per-frame basis. When the CRC is appended to an outgoing frame, an interrupt to the 80188 may be generated, depending upon the setting of the CRCSU unmask bit of TIR6. The CRCS bit of TIR4 always indicates when the CRC has been appended to an outgoing frame, regardless of the state of the CRCSU bit.

The CRC32 polynomial is $X^{32}+X^{26}+X^{23}+X^{22}+X^{16}+X^{12}+X^{11}+X^{10}+X^8+X^7+X^5+X^4+X^2+X+1$; the initial condition of the CRC32 calculation is FFFF FFFFh; and the final remainder of the CRC32 operation is DEBB 20E3h.

The CRC8 polynomial is X^8+X^5+X+1 ; the initial condition of the CRC8 calculation is FFh; and the final expected remainder of the CRC8 operation is 66h.

TX Status

TIR9 provides bits that indicate the current state of the Am79C930 device with respect to the transmission of a frame. For example, the TIR9 bits indicate the number of bytes currently in the TX FIFO and whether or not the transmission is active.

Start of Frame Delimiter Detection

Automatic Start of Frame Delimiter (SFD) detection is built into the Am79C930 device's TAI subunit. Start of Frame Delimiter length may be defined as 0 bytes, 1 byte, 2 bytes or 3 bytes. The length of SFD is set with the SD bits of TCR0. The pattern of the SFD is programmable. The SFD registers TCR8, TCR9, and TCR10 are programmed by the user with the SFD pattern to be matched. Register status bits with associated interrupt capability exist for both Antenna Lock and Start of Frame Delimiter detected. The various register status and interrupt unmask bits are located in TIR4, TIR5, TIR7, TIR9, and TIR26. The FDET output pin signals the start of frame boundary to external logic and operates during both RX and TX. Start of Frame Detection is always calculated based upon network ordering of bits and is therefore independent of the setting of the WNS bit (Big vs Little Endian bit ordering control) of TCR3. The Start of Frame Delimiter search may be performed by external logic, and the result passed into the Am79C930 device through the USER6/IRQ5/EXTSDF/EXTA2DST pin when the ENXSDF bit of TCR28 has been set to 1. See the *Multi-Function Pin* section for more detail.

RX Data Parallelization

Once the RX Preamble and Start Of Frame Delimiter have been located, subsequent bits in the serial RX data stream are converted to parallel byte format and moved into the RX FIFO. As the RX FIFO fills with data, the TAI will request RX data byte removal by asserting the DRQ0 input of the embedded 80188 core. The RXFC bits of TIR17 contain the current byte count of the RX FIFO.

RX FIFO

TAI contains individual FIFOs for RX and TX operations. The RX FIFO indicates a non-empty state by signaling a request for data on the DRQ0 input of the 80188 embedded core. The DRQ0 output of the TAI subunit is active if the RX FIFO condition is met, regardless of the state of the RXS bit of TIR16. RX FIFO DMA activity is prevented by disabling the DMA0 controller in the 80188.

The RX FIFO holds a maximum of 15 bytes of data. The number of bytes of data residing in the RX FIFO is indicated in TIR17. TAI automatically removes the Preamble and Start of Frame Delimiter from the incoming frame. Any PHY header that has been passed from the transceiver to the Am79C930 device will be preserved in the FIFO, provided that the PHY header is located after the Preamble and SFD fields.

RX CRC Checking

CRCs are automatically checked on arriving frames. Registers in the TAI indicate where CRC8 and CRC32

values were found to be correct. These register values can be used to determine the end of a received frame. When good CRC values are found, these may be signaled to the 80188 core through interrupt bits in TIR5.

The CRC32 polynomial is $X^{32}+X^{26}+X^{23}+X^{22}+X^{16}+X^{12}+X^{11}+X^{10}+X^8+X^7+X^5+X^4+X^2+X+1$; the initial condition of the CRC32 calculation is FFFF FFFFh; and the final remainder of the CRC32 operation is DEBB 20E3h.

The CRC8 polynomial is X^8+X^5+X+1 ; the initial condition of the CRC8 calculation is FFh; and the final expected remainder of the CRC8 operation is 66h.

RX Status Reporting

TIR11 provides bits that indicate the current state of the Am79C930 device with respect to the reception of a frame. For example, the TIR11 bits indicate the number of bytes currently in the RX FIFO and whether or not a reception is active.

Bit Ordering

Both Big and Little Endian support is available for transmit and receive operations. The default mode is Little Endian. The operational mode is selected with the WNS bit of TCR3. Only FIFO data is affected by the WNS setting. No other register information is swapped.

RSSI A/D Unit

Several modes of operation are possible with the Am79C930 A/D subunit. The following two paragraphs describe the basic internal mode of operation. Following this description is a list of the additional modes and descriptions of each. For programming information, refer to the ADDA bit description under TIR26[2].

The TAI contains a configurable RSSI A/D unit that allows externally supplied analog values to be converted to 7-bit digital values. Two A/D analog input pins are provided (ADIN1, ADIN2). The active input may be selected with the SRCS (Source Select) bit in TIR26. The conversion time of the internal A/D converter is approximately 600 ns. The frequency of sample conversion is controlled with the Antenna Diversity Timer register (TCR4). A/D converter output values are available at the SAR[6:0] output pins for external use. A/D converter output values are available to firmware by reading from TIR27. The result of the A/D conversion is used by internal logic to perform Clear Channel Assessment (CCA) and Antenna Diversity tests. A reference input (ADREF) is supplied which allows the user to set the upper range limit on the A/D converter.

The RSSI A/D unit's output may be used by the CCA logic and by the Antenna Diversity logic, depending upon the setting of the URSSI bit of TCR28. If the URSSI bit is set to 1, then the A/D conversion process begins after a programmable delay following an antenna diversity antenna switching operation. (The switching

operation is periodic, with the period being set with the Antenna Diversity Timer register of TCR4.) The delay from antenna switch to the beginning of the A/D conversion operation is programmed in the RSSI Sample Start register (TCR24). The converted RSSI value is then compared against the RSSI Lower Limit value that is programmed into TIR28. The current RSSI limit comparison test result may be read from the RSALT bit (RSSI Above Limit) of TIR28. The result of this comparison test is fed to the CCA decision logic and to the Stop Diversity decision logic when the URSSI bit of TCR28 is set to 1.

There are three submodes to the basic internal A/D converter mode:

Internal_A mode disables the SAR pins (TCR25[5] = ENSAR = 0)

Internal_B mode allows the converted value to be driven onto the SAR pins. (TCR25[5] = ENSAR = 1)

Internal_C mode allows an external circuit to control the timing of the A/D sample and convert operation in order to synchronize the internal Am79C930 device's A/D operation with the operations of an external antenna selection scheme. This mode is selected with the UXA2DST bit of TCR25[7].

Normally, the A/D conversion starts when the Antenna Dwell Timer counts down to the value programmed in the Sample Start field of TCR24 (SS field). The antenna dwell timer repeats its cycle every ADT[5:0] time steps, forever. If a satisfactory antenna is found, then the antenna switching ceases, but RSSI testing continues to provide input to the CCA logic at the end of each "dwell."

However, when UXADTST is set to 1, then the A/D converter will sample and convert whenever a rising edge appears on the USER6/IRQ5/EXTSDF/EXTA2DST pin. The conversion process will occur over the time programmed in the TCR25 A2DT field. This function allows an external circuit to synchronize the function of the Am79C930 A/D converter to the external circuit's periodic requirements. A/D converted values will be available on the SAR output pins, provided that the ENSAR bit of TCR25 has been set to a 1.

In addition to the internal A/D modes, there are two external modes, one for A/D and one for D/A:

External A/D mode causes the ADIN1 and ADIN2 pins to become outputs, which are then used to control the power cycling and conversion of an external A/D device. The SAR pins are used as inputs in this mode to allow the externally converted value to be driven back into the Am79C930 device, so that it may be used in the CCA and Antenna Diversity logic circuits. In this mode, ADIN1 functions as the power control signal. ADIN1 becomes active at the beginning of the A/D cycle, with a period as specified in the Antenna Diversity Timer

register of TCR4. ADIN2 becomes active after ADIN1 by the amount of delay specified in the RSSI Sample Start time of TCR24. ADIN2 remains active for the time programmed in the A2DT register (TCR25). The converter output should be connected to the SAR pins, which act as inputs in this mode.

External D/A mode allows the user to connect an external D/A converter to the Am79C930 device. The SAR pins function as outputs and values written to the SAR register (TIR27) will be driven onto these pins for conversion by the external D/A device.

The following table indicates the programming required in order to effect each mode of the A/D section of the Am79C930 device:

ADDA TIR26[2]	ENEXT TCR25[6]	ENSAR TCR25[5]	UXA2DST TCR25[7]	A/D mode
0	0	0	0	internal_A
0	0	0	1	reserved
0	0	1	0	internal_B
0	0	1	1	internal_C
0	1	0	X	external
0	1	1	X	reserved
1	X	0	X	reserved
1	X	1	X	D/A mode

Physical Header Accommodation

The Am79C930 device can accommodate physical header information by delaying the start of CRC8 and CRC32 calculations on outgoing and incoming frames, until a specified number of bytes beyond the Start of Frame Detection has become asserted. The length of the physical header may be anywhere from 0 to 15 bytes as indicated by the value in the PFL bits of TCR3.

DC Bias Control

An optional DC bias control circuit exists within the Am79C930 device. This circuit may be disabled through software control. The circuit uses 16-bit block inversion and bit stuffing to insure a proper DC balance to the outgoing signal on transmit. Receive signals will automatically have the DC Bias Control removed before further operations inside of the Am79C930 device. Bit stuffing may begin with the first bit transmitted after SFD, or at the beginning of a programmable number of byte times following the SFD. Receive frames may be “de-stuffed” in a similar manner. DC Bias Control may be disabled for transmit through a control bit located in TCR1. DC Bias Control may be disabled for receive through a control bit located in TCR3. Bit stuffing start control is located in TCR2 [7].

Baud Determination Logic

The TAI contains Baud Determination logic that samples the incoming bit stream to determine the data rate. The result of the Baud Determination is used in making decisions regarding Clear Channel Assessment and in selecting an antenna. The Baud Determination logic functions as follows:

Baud Determination testing is performed on a periodic basis, where the period is determined by the Antenna Diversity time of TCR4. Baud Determination is intended to be alternately performed on up to two separate antennas. The antenna diversity decision logic is coupled to the Baud Determination logic in such a manner that each successive set of Baud Determination tests is performed on alternating antenna selections. Baud Determination continues for CCA when an antenna is chosen, but baud detect results will not affect antenna selection once an antenna has been locked. Baud detect tests continue with the periodicity of the dwell timer. Antenna diversity switching ceases when a satisfactory antenna has been found. See the section on Automatic Antenna Diversity logic for antenna selection criteria and testing. Antenna selection testing resumes following the assertion of either the RXRES bit (RX RESET) of TIR16 or the RXS bit (RX Start) of TIR16. This action causes the dwell timer to reset to the value found in TCR4 [5:0] and then to resume.

Because antenna switching can cause transient noise to appear at the RXD input of the Am79C930 device, the start of Baud Determination testing is delayed for a period of time immediately following the antenna switching process. In order to accommodate different transceiver/ antenna settling times, the amount of test start delay is programmable through the Baud Detect Start Timer of TCR16. Therefore, the duty cycle of the Baud Determination test period (i.e., the portion of the period during which Baud test measurements are performed) is equal to the Antenna Diversity time of TCR4 minus the value of the Baud Detect Start time of TCR16, minus an additional three CLKIN periods (6 CLKIN periods if CLKGT20=1). The three CLKIN periods are used for final calculations of Baud Determination, Clear Channel Assessment, and Antenna selection once a set of measurements has been taken and before a new cycle is allowed to begin.

The Baud Determination measurement process is conducted as follows:

Two counters track the separation between adjacent falling edges and adjacent rising edges of incoming receive data. One counter measures the separation between adjacent falling edges of incoming receive data, and the other counter measures the separation between adjacent rising edges of incoming receive data. Measurement resolution is equal to the CLKIN period with the CLKGT20 bit of MIR9 set to 0, and

resolution is equal to twice the CLKIN period when the CLKGT20 bit of MIR9 is set to 1. (For a 1 MB data rate with CLKIN = 20 MHz and CLKGT20 = 0, resolution is 50 ns.) After each pair of rising edges is detected, the value of the rising edge separation counter is compared against the Baud Detect upper limit register value (TCR17) and also against the Baud Detect lower limit register value (TCR18). If the rising edge counter value is between these limits, then a GOOD counter is incremented. If the rising edge counter value is outside of these limits, then a FAIL counter is incremented.

A similar comparison is made whenever the falling edge detection circuit locates a pair of falling edges. The GOOD counter and the FAIL counter are shared by both the rising edge and falling edge measurement circuits. Both rising edge measurements and falling edge measurements will contribute to the total GOOD and FAIL counts during any Baud Determination cycle period. Note that the falling and rising edge separation counters begin counting at 0 and count up to 30 decimal and then wrap back to 10 decimal before continuing. This means that all multiples of 20 counts are aliased to a final counter indication of 20. Neither of the rising or falling edge separation counters is accessible to the user.

At the end of any Baud Determination cycle, the value in the GOOD counter is compared against the Baud Detect Accept Count for Carrier Sense (TCR19). If the GOOD count is less than the value of TCR19, then the Baud Detect determination of Carrier Sense is unconditionally FALSE. If the GOOD count exceeds the value of TCR19, then the GOOD count is compared against the value of the Baud Detect Ratio register (TCR21) *multiplied by the FAIL count*. If the GOOD count exceeds this value, then the Baud Detect determination of Carrier Sense is TRUE. The Baud Detect determination of Carrier Sense may, in turn, be used in the final determination of Carrier Sense (Clear Channel Assessment), depending upon the setting of the UBDCS bit of TCR28.

At the end of any Baud Determination cycle, the value in the GOOD counter is compared against the Baud Detect Accept Count for Stop Diversity (TCR20). If the GOOD count is less than the value of TCR20, then the Baud Detect determination for Stop Diversity Switching is unconditionally FALSE. If the GOOD count exceeds the value of TCR20, then the GOOD count is compared against the value of the Baud Detect Ratio register (TCR21) *multiplied by the FAIL count*. If the GOOD

count exceeds this value, then the Baud Detect determination for Stop Diversity is TRUE. The Baud Detect determination for Stop Diversity may in turn, be used in the final determination of antenna selection, depending upon the setting of the UBDS bit of TCR28.

Clear Channel Assessment Logic

The Am79C930 device gathers CCA information from one of two possible sources. One source is the Am79C930 device's internal CCA logic, which is described in the following paragraphs. The other possible CCA source is externally computed CCA information, which is then passed into the Am79C930 device through the USER5/IRQ4/EXTCHBSY pin. Regardless of the source of CCA information, a path through the Am79C930 TAI section is provided allowing the embedded 80188 controller to either poll the status of the CCA result or to be interrupted by any change to the CCA status, or to be interrupted whenever the CCA status changes to the "Busy" state. Selection of CCA source is through the ENXCHBSY bit of TCR15.

The TAI contains CCA logic that relies on two inputs to determine whether or not a carrier is present on the medium. One, both, or none of the two inputs may be selected to determine whether or not a carrier is present. One input that may be used to determine carrier sense is the result of the Baud Determination of Carrier Sense as described in the Baud Determination logic section. The other input used by the CCA logic is whether or not the value of the converted RSSI input exceeds a programmed lower limit (RSSI Lower Limit of TIR28).

Note that Baud Determination of Carrier Sense measurements are made on a periodic basis where the period and duty cycle of the measurements depends upon the settings of the Antenna Diversity Timer (TCR4) and the Baud Detect Start timer (TCR16).

Either input or both inputs may be used to make the CCA decision. Each input to the CCA logic is enabled by a specific bit of TCR28. The UBDCS bit of TCR28 is used to select/deselect the Baud Determination of Carrier Sense for use in CCA decisions, and the URSSI bit of TCR28 is used to select/deselect RSSI information in CCA decisions. Note that URSSI bit of TCR28 is also used to select/deselect RSSI information for use in Stop Diversity decisions.

The possible CCA results are as follows.

UBDCS TCR28:1	URSSI TCR28:0	Baud Detect Carrier Sense Decision	RSSI >= RSSI Lower Limit	CCA Result (CHBSY Bit of TIR26)
0	0	don't care	don't care	CHBSY = TRUE
0	1	don't care	yes	CHBSY = TRUE
0	1	don't care	no	CHBSY = FALSE
1	0	TRUE	don't care	CHBSY = TRUE
1	0	FALSE	don't care	CHBSY = FALSE
1	1	TRUE	yes	CHBSY = TRUE
1	1	TRUE	no	CHBSY = FALSE
1	1	FALSE	yes	CHBSY = FALSE
1	1	FALSE	no	CHBSY = FALSE

The current CCA result is reported in the CHBSY bit of TIR26.

A rising edge of CHBSY will set the Busy Channel Found (BCF) bit of TIR5. This bit may serve as an interrupt to the 80188 core, or the interrupt due to this bit may be masked and the bit can be polled by the 80188 core.

The CCA result is also reported in the CHBSYC bit of TIR4. This bit reports a change in state of the carrier sense. This bit may serve as an interrupt to the 80188 core, or the interrupt due to this bit may be masked and the bit can be polled by the 80188 core.

The current RSSI limit comparison test result may be read from the RSALT bit (RSSI Above Limit) of TIR28.

The CCA result has no effect on the Transmit state machine operation. That is, if the CCA result is CHBSY = TRUE and the TXS bit (Transmit Start) of TIR8 has been set to a 1, then the transmit state machine will proceed with execution of its transmission sequence. Determination of exactly when to begin transmission is the responsibility of the firmware that sets the TXS bit of TIR8, based upon input derived from the CHBSY bit of TIR26 and other considerations (such as NAV value, backoff timer, etc.).

Automatic Antenna Diversity Logic

The TAI contains automatic antenna diversity logic that relies on carrier sense determination in order to select a satisfactory antenna for frame reception. The general function of the antenna diversity logic is as follows:

The automatic antenna diversity logic switches the ANTSLT and ANTSLT pins between two different antennas repeatedly at a programmable periodic rate. Measurements of signal strength and Baud Determination testing are performed on each antenna. Antenna Diversity Switching and test measurements continue until the combination of the test outcomes dictates a stop to diversity switching. At such a point, a satisfactory antenna has been found, antenna switching will cease and the selected antenna will be used for reception until the Receive RESET (RXRES) bit of TIR16 is set, or until the Receive Start (RXS) bit of TIR16 is set, or a hard reset,

or a soft reset. Baud detection tests continue during antenna lock time, using the same periodicity (i.e., the dwell timer), even though antenna switching has stopped. These baud tests provide input for the CCA logic.

An antenna is deemed “satisfactory” when the combination of inputs to the Stop Diversity decision logic is TRUE. The Stop Diversity decision is based upon the value of one or two input conditions, where the user may choose which conditions are examined. The following are the two inputs that may be used for Stop Diversity decisions:

One possible input to the Stop Diversity decision logic is the Baud Detect for Stop Diversity determination as described in the *Baud Determination* section and summarized here. The Baud Detect for Stop Diversity determination is made by making multiple measurements of the separation between adjacent (and same-direction) bit stream edge transitions (baud detect tests), then comparing the measured rate of edge transitions against programmed limits and tallying the number of passes and failures of these tests, checking to see that the total number of passed tests exceeds a given lower limit, and finally, checking that the ratio of passes to fails exceeds a given threshold ratio. If this final result is TRUE, then the Baud Detect for Stop Diversity is considered to be “TRUE.”

Note that Baud Determination of Stop Diversity measurements are made on a periodic basis where the period and duty cycle of the measurements depends upon the settings of the Antenna Diversity Timer (TCR4) and the Baud Detect Start timer (TCR16). The Dwell Timer never stops running (unless set to 0).

The second possible input to the Stop Diversity decision logic is the result of a comparison of the RSSI converted value against a pre-programmed lower limit. If the measured RSSI input value exceeds the programmed lower limit, then the result of this test is considered to be TRUE.

The two tests mentioned above may be separately selected/deselected to serve as inputs to the Stop

Diversity decision logic for determining if a satisfactory antenna has been found. These inputs to the Stop Diversity decision logic are enabled by specific bits of TCR28. The UBDS bit of TCR28 is used to select/deselect the Baud Determination of Stop Diversity for use in Stop Diversity decisions and the URSSI bit of TCR28 is used to select/deselect RSSI information in Stop Diversity decisions. Note that the URSSI bit of TCR28 is also used to select/deselect RSSI information for use in CCA decisions.

The possible Stop Diversity results are shown in the table below.

The current stop diversity result is reported in the ANTLOK bit of TIR26.

A rising edge of ANTLOK will set the ALOKI (Antenna Lock Interrupt = Diversity switching stopped) bit of TIR5. This bit may serve as an interrupt to the 80188 core, or the interrupt due to this bit may be masked and the bit can be polled by the 80188 core.

The antenna diversity switching is signaled with the ANTSW bit of TIR4. This bit reports a change in the antenna selection. This bit may serve as an interrupt to the 80188 core, or the interrupt due to this bit may be masked and the bit polled by the 80188 core.

The current antenna selection may be read from the ANTSLT bit of TIR26.

The current RSSI limit comparison test result may be read from the RSALT bit (RSSI Above Limit) of TIR28.

Automatic Antenna Diversity switching may be disabled through appropriate setting of the ANTSEN bit of TIR26. Manual setting of the antenna selection is then allowed through the ANTS bit of TIR26.

TXC As Input

For typical transceiver connections, the signal TXC is defined as an input to the transceiver. However, for some transceiver connections, the signal TXC is defined as a *transceiver output*. The Am79C930 device can accommodate both types of transceivers by allowing the TXC pin to be defined as either output or input.

In the case where the TXC pin is as output from a transceiver, the TXCIN bit of TCR30 must be set to a 1 in order to change the direction of the TXC signal. When this is done, a 16-bit serial-FIFO is added into the path of the TX data in order to accommodate a small amount of possible mismatch between the transceiver's TXC frequency and the Am79C930 device's internal TXC frequency. When this FIFO is inserted into the transmit data stream, an additional delay of 8-bit times is incurred between the assertion of the TXS bit of TIR8 and the assertion of the first transceiver transmit control signal in the transmit control sequence.

If the mismatch between the transceiver's TXC frequency and the Am79C930 device's TXC frequency is too large, then a serial-FIFO overflow or underflow condition may occur. When this situation arises, an error will be indicated by the ATFO or ATFU bits of TCR11.

IEEE 1149.1 Test Access Port Interface

An IEEE 1149.1 compatible boundary scan Test Access Port (TAP) is provided for board level continuity test and diagnostics. All digital input, output, and input/output pins are tested. ADREF, TRST, TCK, TMS, TDI, TDO, and PMX2 pins are not included in the boundary scan test.

UBDSD TCR28[2]	URSSI TCR28[0]	STPEN TCR28[3]	Baud Detect Stop Stop Diversity Decision	RSSI >= RSSI Lower Limit	Stop Diversity Result (ANTLOK Bit of TIR26)
X	X	0	don't care	don't care	ANTLOK = FALSE
0	0	1	don't care	don't care	ANTLOK = TRUE
0	1	1	don't care	yes	ANTLOK = TRUE
0	1	1	don't care	no	ANTLOK = FALSE
1	0	1	TRUE	don't care	ANTLOK = TRUE
1	0	1	FALSE	don't care	ANTLOK = FALSE
1	1	1	TRUE	yes	ANTLOK = TRUE
1	1	1	TRUE	no	ANTLOK = FALSE
1	1	1	FALSE	yes	ANTLOK = FALSE
1	1	1	FALSE	no	ANTLOK = FALSE

The following is a brief summary of the IEEE 1149.1 compatible test functions implemented in the Am79C930 device:

Boundary Scan Circuit

The boundary scan test circuit uses five pins: TRST, TCK, TMS, TDI, and TDO. These five pins are collectively labeled the TAP. The boundary scan test circuit includes a finite state machine (FSM), an instruction register, and a data register array. Internal pull-up resistors are provided for the TDI and TMS pins. The TCK pin must not be left unconnected.

TAP FSM

The TAP engine is a 16-state FSM, driven by the Test Clock (TCK) and the Test Mode Select (TMS) pins. This FSM is in its reset state at power up or after H_RESET. The TRST pin is supported in order to ensure that the FSM is in the TEST_LOGIC_RESET state before testing is begun.

Supported Instructions

In addition to the minimum IEEE 1149.1 requirements (BYPASS, EXTEST, and SAMPLE instructions), one additional instruction (IDCODE) is provided as additional support for board level testing. *All unused instruction decodes are reserved.*

Instruction Name	Instruction Code	Mode	Selected Data Register	Description
EXTEST	0000	Test	BSR	External Test
ID_CODE	0001	Normal	ID	REG ID Code Inspection
SAMPLE	0010	Normal	BSR	Sample Boundary
Reserved	0011–1110	Reserved	Reserved	Reserved
BYPASS	1111	Normal	Bypass	Bypass Scan

Instruction Register and Decoding Logic

After H_RESET or S_RESET, the IDCODE instruction is always loaded into the IEEE 1149.1 register. The decoding logic gives signals to control the data flow in the DATA registers according to the current instruction.

Boundary Scan Register (BSR)

Each BSR cell has two stages. A flip-flop and a latch are used for the SERIAL SHIFT STAGE and for the PARALLEL OUTPUT STAGE, respectively.

There are four possible operation modes in the BSR cell:

1	Capture
2	Shift
3	Update
4	System Function

Other Data Registers

- (1) BYPASS REGISTER (1 BIT)
- (2) DEVICE ID REGISTER (32 BITS)
- (3) INSCAN0

Device ID Register Contents:

Bits 31–28:	Version
Bits 27–12:	Part Number (0010 1000 0101 0000)
Bits 11–1:	Manufacturer ID. The 11 bit manufacturer ID code for AMD is 00000000001 in accordance with JEDEC publication 106-A.
Bit 0:	Always a logic 1

This is an internal scan path for AMD internal testing use.

Power Saving Modes

Power Down Function

The Am79C930 BIU includes five registers that are used to invoke a power-down function that will support the IEEE 802.11 (draft) specified power down by allowing variable lengths of power-down and power-up time. The registers include the Processor Interface Register (MIR0), which contains the Power Down command bit, a Power Down Length Count set of registers (MIR2,3,4), and a Power Up Clock Timer (MIR1) register. The power down sequence is executed by the firmware running on the embedded 80188, either independently, or in response to a request from the host. In the PCMCIA

mode, the host requests a power down by writing to the Power Down bit (bit 2) of the PCMCIA Card Configuration and Status Register. In the ISA Plug and Play mode, the host requests a power down by writing to the ISA Power Down bit, bit 7 of SIR3. In either case, the power down request will generate an interrupt to the 80188 embedded core. In response to the interrupt, the 80188 core should be programmed to perform a power down sequence, as follows:

To power down the Am79C930 device, the 80188 core should write a time value to the Power Down Length Count registers. This time value is the intended duration of the power down period. Then the 80188 core should write a time value to the Power Up Clock Timer registers. This time value is the time needed for the buffered CLKIN signal to return to stable operation from a stopped state. Then the 80188 core should write to appropriate TIR registers to power down the transceiver. The 80188 core should now signal an interrupt to the host that it is about to enter the power down mode. This communication is necessary, since some of the Am79C930 system resources will not be available during power down mode, and the driver should not attempt accesses to the unavailable resources, or else an unacceptably long waiting period will occur before the Am79C930 device finally wakes up and responds to the access. The host should respond to the 80188-generated interrupt, and the 80188 will respond by writing a 1 to the Power Down bit in the Processor Interface Register (MIR0). The Power Down command will cause the internally routed CLKIN signal to the 80188 and the TAI to stop running, thereby, bringing the 80188 itself into a power savings mode. At this point in the sequence, the driver software will no longer have access to the SRAM and Flash memory devices. Only the PCMCIA CCR registers and SIR0, SIR1, SIR2 and SIR3 will remain accessible to the host.

When the power down command is executed, the PWRDWN output will become active. This output can be used to power down additional devices which are part of the entire Am79C930-based subsystem, such as a radio transceiver. (Note that the CLKIN clock signal to internal Am79C930 circuits will be gated off inside of the Am79C930 device, even when the external oscillator continues to drive the Am79C930 CLKIN input.)

In the power down mode, slave accesses to the Am79C930 device will become limited to the PCMCIA Card Configuration Option Register, the PCMCIA Card Configuration and Status Register, and SIR0, SIR1, SIR2, and SIR3 if the Am79C930 device is in PCMCIA mode. All other registers will be inaccessible, including SRAM and Flash memory locations either through the memory window or through SIR4, SIR5, SIR6, or SIR7. (Note that a CIS READ operation will cause power down exit, but will proceed normally.)

If the Am79C930 device is operating in the ISA Plug and Play mode, then SIR0, SIR1, SIR2, and SIR3 registers will be the only locations that are still accessible when the Am79C930 device is in the power down mode. SIR4, SIR5, SIR6, and SIR7, Plug and Play registers, and SRAM and Flash memory locations will not be accessible in the power down mode when ISA Plug and Play mode has been selected. This means that Plug and Play state changes will not be possible in the power down mode.

When the power down command is executed, the clock to most of the circuits of the device is suspended while power is maintained, such that all state information is preserved. Outputs that were driving active high or active low signals at the time of execution of the power down command will continue to hold in the state that they were in at the time of execution of the power down command. Outputs that were held in a high impedance state will remain in a high impedance state. Note that some outputs may still change state, as some sections of the device are not affected by power down (e.g., the system interface signals that are used to access the PCMCIA configuration registers and SIR0, SIR1, SIR2, and SIR3). Transitions on device inputs which lead to circuits that are affected by the power down will not be seen by the circuit, since the circuit is powered down. When the power down mode is exited, the internally suspended clock will resume and logical operations will continue from the point of suspension with no loss of state information.

When the Power Down Length Counter reaches the value of the Power Up Clock Timer, then the PWRDWN output will be deasserted. When the Power Down Length Counter reaches 0, then the signal on the CLKIN input to the Am79C930 will once again be sent to all parts of the device. The time between the deassertion of PWRDWN and the reapplication of the CLKIN to internal circuits allows the clock to stabilize before it is distributed to the 80188 core and the TAI.

A discrete power *up* timer, which would indicate the time duration that the Am79C930 device should remain awake, is not included in the Am79C930 device, but a firmware implementation of such a function is possible by using the Free count of MIR5, MIR6, and MIR7 and/or 80188 controller timers.

Writing a 1 to the Power Down bit of the PCMCIA Card Configuration and Status Register will cause a request for a power down to be generated to the 80188 core via an interrupt bit in MIR0. The decision to power down will be made by the 80188 controller, and the actual power down command will be executed by the 80188 controller by shutting off the transceiver and any other resources and then writing to the power down command bit (PDC) of MIR0.

Writing a 1 to the Power Down bit of the ISA Power Down bit of SIR3 will cause a request for a power down to be generated to the 80188 core via an interrupt bit in MIRQ. The decision to power down will be made by the 80188 controller, and the actual power down command will be executed by the 80188 controller by shutting off the transceiver and any other resources and then writing to the power down command bit (PDC) of MIRQ.

Writing a 0 to the Power Down bit of the PCMCIA Card Configuration and Status Register will cause the Power Down mode to be exited early by forcing the PDLC value to 0. Because of this transition to 0, the PUCT value will most likely not be encountered, and no power up ramp time will occur (i.e., the PWRDWN signal will be deasserted at the same time that the CLKIN is reapplied to the internal circuitry.).

Writing a 0 to the ISA Power Down bit of SIR3 will cause the Power Down mode to be exited early by simulating the effect of the Power Down Length Counter expiring.

Writing a 1 to the Exit Power Down bit of SIR0 will cause the Power Down mode to be exited early by forcing the PDLC value to 0. Because of this transition to 0, the PUCT value will most likely not be encountered, and no power up ramp time will occur (i.e., the PWRDWN signal will be deasserted at the same time that the CLKIN is reapplied to the internal circuitry.).

Performing a CIS READ operation while the Am79C930 device is in the power down mode will cause an early exit of the power down mode in exactly the same manner as if the PCMCIA Card Configuration and Status Register Power Down bit had been reset by writing a 0 to it.

Applicability to IEEE 802.11 Power Down Modes

The power down functionality described above can be applied to the IEEE 802.11 (draft) power down modes by setting appropriate time values in the Power Down Length Count register. This allows the Am79C930 device to power up at the IEEE 802.11 (draft) specified timing intervals in order to listen to the network for TIM and DTIM messages. After listening for a specific amount of time, the Am79C930 device can interrupt the driver software with the intent of requesting the driver to re-initiate the power down sequence. The free-running counter can be used to calculate the proper Power Down Length Count register values for each power down cycle.

Software Access

The Am79C930 device is directly driven by two pieces of software: (1) the device driver, which runs on the host machine's CPU, performs transfers of data between the

upper layers of the application and the Am79C930 device; and (2) the Am79C930 MAC firmware, which runs on the embedded 80188 CPU, performs IEEE 802.11 (draft) MAC protocol functions and sends status information to the device driver. The device driver communicates with the Am79C930 device through the system interface, usually by reading and writing to the SRAM, with occasional accesses to Am79C930 device registers. The Am79C930 device appears to the device driver as a series of I/O mapped registers, memory-mapped SRAM, and Flash memory. The MAC firmware uses most of the Am79C930 device registers, the SRAM, and the Flash memory to perform the IEEE 802.11 (draft) MAC functions. The Am79C930 device driver also uses the SRAM to pass command and status information to and from the Am79C930 device.

Am79C930 System Interface Resources

Driver interaction with the Am79C930 device takes place through the system interface.

The purpose of the Am79C930 device driver is to move data frames in and out of the Am79C930-based wireless communications system. The device driver will move outgoing data frames into shared memory space and then pass a command to the Am79C930 device indicating that the outgoing data is present and ready for transmission. The device driver will respond to interrupts from the Am79C930 device indicating that incoming data has been placed into shared memory by the Am79C930 device and is present and ready for processing by the device driver. The Am79C930 device also uses the interrupt to indicate other changes in Am79C930 device status. Commands other than "transmit" may be passed to the Am79C930 device by the driver.

In order to accommodate these basic functions of the driver, the Am79C930 device includes a number of command and status registers as well as direct system interface access to up to 128K of shared memory space (SRAM). The device driver also has access to the 128K of Flash memory space that is used to store the firmware for the embedded 80188 core.

The following sections describe the resources available to the device driver through the system interface. Later sections will describe the resources available to the MAC firmware through the 80188 embedded core.

PCMCIA Mode Resources — The first table indicates the range of I/O and memory addresses to which the Am79C930 device will respond while operating in the PCMCIA mode:

Am79C930 Device PCMCIA Mode Resource Requirements

Common Memory Range	Common Memory Size	I/O Range	I/O Size	Attribute Memory Range	Attribute Memory Size
0000h – 7FFFh	32 Kbytes OR 0 bytes	0000h – 0027h OR 0000h – 000Fh	40 OR 16 bytes	0000h – 0803h	2 K+4 bytes

The I/O range is adjusted through bit 2 (ELOW = Expand I/O Window) of SIR1 = Bank Switching Select register).

Note that since the Am79C930 device's memory mapped resources are all accessible through the Local Memory Address Register and I/O Data Ports (SIR2,3,4,5,6,7), it is possible to assign the Am79C930 device no memory space. (This is accomplished by setting the MemSpace field of the TPCE_FS byte of the Configuration Table Entry Tuple to 00b. This will inform the PCMCIA configuration utility that the Am79C930-based design does not require any Common Memory space.) By assigning *no* memory space to the Am79C930 device, the Am79C930 device will become an I/O only device. Such an arrangement may be convenient for systems in which there is not enough total available memory space to allow the Am79C930 device to use a full 32K block of memory.

Note that when this option is chosen, the total amount of bus bandwidth required to perform all of the necessary accesses to the Am79C930-based design will be increased somewhat, because of the indirect nature of the I/O method of access to Am79C930-based resources.

Note that the Am79C930 device always decodes the lowest 6 bits of address when an I/O access is

performed with the Am79C930 device's $\overline{CE1}$ signal active. This means that there is aliasing of addresses in I/O space. This decode function is unaffected by the setting of the SIR1[2:0] register bits.

PCMCIA Common Memory Resources — While the common memory space of the Am79C930 device only accommodates access to 32 Kbytes of memory, the Am79C930 device uses device select and bank select bits in SIR1 in order to access a total of 256K of memory space. Note that PCMCIA accesses to Common memory locations 7C00h–7FFFh (1K total space) will *sometimes* correspond to the same physical locations as PCMCIA accesses to Attribute memory locations 0000h–07FFFh (2K total space), i.e., the correspondence will occur only when the device and bank select bits of SIR1 are pointing at the upper page of the 128K Flash memory address space. (Note that for Attribute memory accesses, only the even-valued addresses are defined to exist. Therefore, 2K total Attribute memory addresses have been mapped to 1K of physical space in the Flash memory.) The following table indicates the mapping of the 256 Kbytes of physical memory space into the 32 Kbytes of Common memory:

Am79C930 Device PCMCIA Mode Common Memory Map

PCMCIA Address in Common Memory	SIR1[5:3]	Size of Space	Physical Memory
0000h – 7FFFh	000	32 Kbytes	SRAM Memory 0 0000h – 0 7FFFh
0000h – 7FFFh	001	32 Kbytes	SRAM Memory 0 8000h – 0 FFFFh
0000h – 7FFFh	010	32 Kbytes	SRAM Memory 1 0000h – 1 7FFFh
0000h – 7FFFh	011	32 Kbytes	SRAM Memory 1 8000h – 1 FFFFh
0000h – 7FFFh	100	32 Kbytes	Flash Memory 0 0000h – 0 7FFFh
0000h – 7FFFh	101	32 Kbytes	Flash Memory 0 8000h – 0 FFFFh
0000h – 7FFFh	110	32 Kbytes	Flash Memory 1 0000h – 1 7FFFh
0000h – 7FFFh	111	32 Kbytes	Flash Memory 1 8000h – 1 FFFFh
	TOTAL:	256 Kbytes	

Some of the Am79C930 device's PCMCIA Common Memory locations have predefined uses and, therefore, are not freely available to the device driver. The

following table indicates restricted space within PCMCIA Common Memory map of the Am79C930 device:

Am79C930 Device PCMCIA Mode Common Memory Restricted Space

PCMCIA Address in Common Memory	SIR1[5:3]	Size of Restricted Space	Physical Memory and Description of Reserved Use
0000h – 03FFh	000	1 Kbytes	SRAM Memory 0 0000h – 0 03FFh This space is reserved for the interrupt vector table of the embedded 80188 core.
0400h – 041Fh	000	32 bytes	SRAM Memory 0 0400h – 0 041Fh This SRAM space is inaccessible to the 80188 embedded core, since the 80188 core maps the 32 TIR registers of the TAI into this portion of 80188 memory space.
0420h – 043Fh	000	32 bytes	SRAM Memory 0 0420h – 0 042Fh This SRAM space is inaccessible to the 80188 embedded core, since the 80188 core maps the MIR registers of the BIU (PIR, PDLC and PUCT) and XCE space into this portion of 80188 memory space.
0440h – 047Fh	000	64 bytes	SRAM Memory 0 0440h – 0 047Fh This SRAM space is reserved for future use and may be decoded for non-SRAM purposes in the future.
7C00h – 7FEFh	111	1K–16 bytes	Flash Memory 1 FC00h – 1 FFEFh These bytes of the Flash memory also map into PCMCIA Attribute Memory space 0000h – 03FFh, which is used for storing the CIS for the device. Therefore, this space cannot be used for non-CIS purposes.
7FF0h – 7FFFh	111	16 bytes	Flash Memory 1 FFF0h – 1 FFFFh These 16 bytes of Flash memory space are reserved because they are the location of the embedded 80188 core's instruction pointer following a Am79C930 device reset operation. These 16 bytes must contain the first 80188 instructions.

The SRAM is intended to serve as a shared memory resource between the driver operating through the system interface and the 80188 core operating through the Am79C930 memory interface bus. Even though SRAM memory locations 0 0400h through 0 043Fh are accessible from the system interface, these locations cannot be used for driver-firmware shared memory functions, since they are inaccessible from the 80188 core.

PCMCIA Attribute Memory Resources — The PCMCIA standard requires that each PCMCIA device contain a Card Information Structure (CIS). The CIS contains information that is used to provide possible configuration options to the system.

The PCMCIA standard requires that the first tuple of the CIS should be located at Attribute memory byte 0h. 1K of Flash memory space is mapped into the lowest 2K of PCMCIA attribute memory space to accommodate this requirement. Since odd addressed bytes of Attribute memory are undefined, these addresses are not mapped to the Flash memory. The 1K of Flash memory space that is mapped to Attribute memory space is also

visible as common memory. The upper 32 bytes of the 2K of attribute memory space must not be used for PCMCIA CIS information, since these bytes map to the upper 16 bytes of the Flash memory, which will be used by the 80188 core of the Am79C930 as the initial instruction locations after reset.

Note that the Configuration Tuple must contain the value 800h for the TPCC_RADR field, since the Card Configuration Registers within the Am79C930 device are located at this fixed offset.

The PCMCIA Card Configuration registers that are supported are the Configuration Option Register and the Card Configuration and Status Register. These two registers are physically located in the Bus Interface Unit and logically exist only in PCMCIA Attribute Memory space. They are located at Attribute Memory locations 0800h and 0802h, respectively. The location of these registers is fixed. Therefore, the information programmed into the CIS *must* give the value 2K (=0800h) as the Card Configuration Registers Base Address in the TPCC_RADR field of the Configuration Tuple.

Am79C930 Device PCMCIA Mode Attribute Memory Map

PCMCIA Address in Attribute Memory	SIR1[5:3]	Size of Space	Physical Memory
0000h – 07FFh (even values only)	XXX*	2 Kbytes	Flash Memory 1 FC00h – 1 FFFFh (only 1 K of Flash memory is allocated, since odd addressed PCMCIA attribute memory locations are undefined)
0800h	XXX*	1 byte	Configuration Option Register in BIU
0801h	XXX*	1 byte	Device responds with undefined data
0802h	XXX*	1 byte	Card Configuration and Status Register in BIU
0803h	XXX*	1 byte	Device responds with undefined data
0804h – 7FFFh	XXX*	30K–2 bytes	Device may respond to these addresses. See note below.

*XXX = Don't care

Note: Device will respond to any address in which A11 is equal to 1 and $\overline{\text{REG}}$, $\overline{\text{OE}}$, and $\overline{\text{CE1}}$ are asserted.

The only writable PCMCIA Attribute memory locations are the two Card Configuration Registers at Attribute Memory locations 800h and 802h. These two registers do *not* correspond to Flash memory locations. These two registers are physically located inside of the BIU section of the Am79C930 device. Attribute memory locations 0000h–07FFh are mapped directly to Flash memory and are, therefore, read-only locations. Note that the 2K space of attribute memory 0000h–07FFh are mapped to 1K of Flash memory space. Since PCMCIA

defines that only even addressed bytes of Attribute memory are defined to exist, only the even addressed 1K of the 2K attribute space is actually physically present.

Some of the Am79C930 device's PCMCIA Attribute Memory locations have predefined uses and, therefore, are not freely available to the device driver. The following table indicates restricted space within PCMCIA Attribute Memory map of the Am79C930 device.

Am79C930 Device PCMCIA Mode Attribute Memory Restricted Space

PCMCIA Address in Attribute Memory	SIR1[5:3]	Size of Restricted Space	Physical Memory and Description of Reserved Use
7FE0h – 7FFFh	111	32 bytes of Attribute memory, 16 bytes of actual Flash memory space	Flash Memory 1 FFF0h – 1 FFFFh These 16 bytes of Flash memory space are reserved because they are the location of the embedded 80188 core's instruction pointer following a Am79C930 device reset operation. These 16 bytes must contain the first 80188 instructions.

PCMCIA I/O Resources — The Am79C930 device occupies either 16 or 40 bytes of I/O space, depending upon the setting of the ELOW bit (bit 2 of the BSS register (SIR1)). The I/O space of the Am79C930 contains the General Configuration Register, the Bank Switching Select Register, and the set of 32 TIR registers. Additionally, all Am79C930 resources are accessible through I/O accesses, i.e., all *memory* structures are accessible through the Local Memory Address and I/O Data Ports (SIR2,3,4,5,6,7).

The Local Memory Address port plus SIR1[5:3] function together as a pointer to the memory resources of the Am79C930 device. SIR1[5] determines the device

selected (SRAM or Flash), and SIR1[4:3] and LMA[14:0] supply the address to the selected device whenever the I/O Data Port is read or written. Whenever any of the I/O Data Ports is accessed, then the Local Memory Address Port value is automatically incremented by a value of "1."

Note that the Am79C930 device always decodes the lowest 6 bits of address when an I/O access is performed with the Am79C930 device's $\overline{CE1}$ signal active. This means that there is aliasing of addresses in I/O space. This decode function is unaffected by the setting of the SIR1[2:0] register bits.

The following table indicates the mapping of all I/O resources that are accessible through the Am79C930 PCMCIA system interface. Note that some resources

are physically located within the BIU, while others are located in the TAI and still others exist as external Flash and SRAM:

Am79C930 Device PCMCIA Mode I/O MAP

Resource Name	Resource Mnemonic	PCMCIA I/O Address	SIR1[2:0]	Resource Size	Physical Location of Resource
SIR0: General Configuration Register	SIR0: GCR	00h	XXX*	1 byte	BIU
SIR1: Bank Switching Select Register	SIR1: BSS	01h	XXX	1 byte	BIU
SIR2: Local Memory Address [7:0]	SIR2: LMAL	02h	XXX	1 byte	BIU
SIR3: Local Memory Address [14:8]	SIR3: LMAU	03h	XXX	1 byte	BIU
SIR4: I/O Data Port[7:0]	SIR4: DPLL	04h	XXX	1 byte	Indirect access to SRAM or Flash memory
SIR5: I/O Data Port[15:8]	SIR5: DPLM	05h	XXX	1 byte	Indirect access to SRAM or Flash memory
SIR6: I/O Data Port [23:16]	SIR6: DPUM	06h	XXX	1 byte	Indirect access to SRAM or Flash memory
SIR7: I/O Data Port [31:24]	SIR7: DPUU	07h	XXX	1 byte	Indirect access to SRAM or Flash memory
TIR 0–7	–	08h – 0Fh	000	1 byte each location	TAI
TIR 8–15	–	08h – 0Fh	001	1 byte each location	TAI
TIR 16–23	–	08h – 0Fh	010	1 byte each location	TAI
TIR 24–31	–	08h – 0Fh	011	1 byte each location	TAI
UNDEFINED	–	10h – 3Fh	0XX	NA	UNDEFINED
TIR 0–31	–	08h – 27h	1X	1 byte each location	TAI
UNDEFINED	–	28h – 3Fh	1XX	NA	UNDEFINED

*X = Don't Care

ISA Plug and Play Mode Resources

The Am79C930 device fully supports the ISA Plug and Play specification, revision 1.0a, including the Plug and Play ADDRESS Auto-configuration port, WRITE_DATA Auto-configuration port, READ_DATA Auto-configuration port, and 19 of the Plug and Play

configuration registers, as well as providing a mechanism for access to Flash memory for reading the Am79C930 device's Plug and Play Resource Data.

The following table indicates the range of I/O and memory addresses to which the Am79C930 device will respond when operating in the ISA Plug and Play mode.

Am79C930 Device ISA Plug And Play Mode Memory And I/O Resource Requirements

Memory Range	Memory Size	I/O Range	I/O Size
MBA*+0000h – MBA*+7FFFh	32 Kbytes OR 0 bytes	IOBA**+0000h – IOBA**+000Fh and I/O 0279h and I/O 0A79h and I/O 0203h – I/O 03FFh (one byte only)	16 bytes

*MBA = ISA Plug and Play Memory Base Address

**IOBA = ISA Plug and Play I/O Base Address

Note that since the Am79C930 device's memory mapped resources are all accessible through the Local Memory Address Register and I/O Data Ports (SIR2,3,4,5,6,7), it is possible to program the ISA Plug and Play Memory Base Address, and Memory upper limit Address or range length for descriptor 0, such that the Am79C930 device is assigned no memory space. (This is accomplished by assigning all 0s for both the Memory Base Address and the Memory range length value. The ISA Plug and Play utility can be instructed to make this selection through appropriate Resource Data programming.) By assigning *no* memory space to the Am79C930 device, the Am79C930 device will become an I/O only device. Such an arrangement may be convenient for systems in which there is not enough total available memory space to allow the Am79C930 device to use a full 32K block of memory. Note that when this option is chosen, the total amount of bus bandwidth required to perform all of the necessary accesses to the Am79C930-based system will be increased somewhat, because of the indirect nature of the I/O method of access to Am79C930-based resources.

The Am79C930 device requires the use of a single IRQ channel. Any of the following channels within an ISA Plug and Play system may be utilized by the Am79C930 device:

IRQ 4, 5, 9, 10, 11 or 12.

ISA Plug and Play Memory Resources — While the system memory space of the Am79C930 device only accommodates access to 32 Kbytes of memory, the Am79C930 device uses device select and bank select bits in SIR1 in order to access a total of 256K of memory space. Note that ISA accesses to memory locations 7C00h–7FFFh (1K total space) will *sometimes* correspond to the same physical locations as ISA accesses to Plug and Play resource data locations 0000h–03FFh, i.e., the correspondence will occur only when the device and bank select bits of SIR1 are pointing at the upper page of the 128K Flash memory address space. The following table indicates the mapping of the 256 Kbytes of physical memory space into the 32 Kbytes of memory:

Am79C930 Device ISA Plug And Play Mode Memory Map

ISA Address in Memory	SIR1[5:3]	Size of Space	Physical Memory
MBA+0000h – MBA+7FFFh	000	32 Kbytes	SRAM Memory 0 0000h – 0 7FFFh
MBA+0000h – MBA+7FFFh	001	32 Kbytes	SRAM Memory 0 8000h – 0 FFFFh
MBA+0000h – MBA+7FFFh	010	32 Kbytes	SRAM Memory 1 0000h – 1 7FFFh
MBA+0000h – MBA+7FFFh	011	32 Kbytes	SRAM Memory 1 8000h – 1 FFFFh
MBA+0000h – MBA+7FFFh	100	32 Kbytes	Flash Memory 0 0000h – 0 7FFFh
MBA+0000h – MBA+7FFFh	101	32 Kbytes	Flash Memory 0 8000h – 0 FFFFh
MBA+0000h – MBA+7FFFh	110	32 Kbytes	Flash Memory 1 0000h – 1 7FFFh
MBA+0000h – MBA+7FFFh	111	32 Kbytes	Flash Memory 1 8000h – 1 FFFFh
	TOTAL:	256 Kbytes	

*MBA = ISA Plug and Play Memory Base Address

When accessing Am79C930 memory resources through ISA memory cycle accesses, the upper 9 bits of the ISA memory address will be used to check for a match of the address range assigned to the Am79C930 device by the Plug and Play configuration program (i.e.,

the Memory Base Address = MBA, and Memory range length). The Plug and Play configuration program will have written a memory base address value into the Memory Base Address registers (Plug and Play ports 40h and 41h). The ISA Plug and Play memory base

address needs to be aligned to a 32K boundary in memory space. This alignment requirement should be included in the Resource Data that is programmed into the Flash device and read by the Plug and Play configuration utility. These conditions *must* be satisfied, since the Am79C930 device's Bus Interface Unit will only use the upper 9 bits of the ISA memory address to determine when an address match has been achieved.

Some of the Am79C930 device's ISA Memory locations have predefined uses and, therefore, are not freely available to the device driver. The following table indicates restricted space within ISA Memory map of the Am79C930 device:

Am79C930 Device ISA Plug And Play Mode Memory Restricted Space

ISA Address in Memory	SIR1[5:3]	Size of Restricted Space	Physical Memory And Description Of Reserved Use
MBA+0000h – MBA+03FFh	000	1 Kbytes	SRAM Memory 0 0000h–0 03FFh This space is reserved for the interrupt vector table of the embedded 80188 core.
MBA+0400h – MBA+041Fh	000	32 bytes	SRAM Memory 0 0400h–0 041Fh This SRAM space is inaccessible to the 80188 embedded core, since the 80188 core maps the 32 TIR registers of the TAI into this portion of 80188 memory space.
MBA+0420h – MBA+043Fh	000	32 bytes	SRAM Memory 0 0420h–0 042Fh This SRAM space is inaccessible to the 80188 embedded core, since the 80188 core maps the MIR registers of the BIU (PIR, PDLC and PUCT) and XCE space into this portion of 80188 memory space.
MBA+0440h – MBA+047Fh	000	64 bytes	SRAM Memory 0 0440h–0 047Fh This SRAM space is reserved for future use and may be decoded for non-SRAM purposes in the future.
MBA+7C00h – MBA+7FEFh	111	1K–16 bytes	Flash Memory 1 FC00h–1 FFEFh These bytes of the Flash memory also map into the ISA Plug and Play Resource Data space. Therefore, this space can not be used for non-Resource Data purposes.
MBA+7FF0h – MBA+7FFFh	111	16 bytes	Flash Memory 1 FFF0h–1 FFFFh These 16 bytes of Flash memory space are reserved because they are the location of the embedded 80188 core's instruction pointer following a Am79C930 device reset operation. These 16 bytes must contain the first 80188 instructions.

*MBA = ISA Plug and Play Memory Base Address

The SRAM is intended to serve as a shared memory resource between the driver operating through the system interface and the 80188 core operating through the Am79C930 memory interface bus. Even though SRAM memory locations 0 0400h through 0 043Fh are accessible from the system interface, these locations cannot be used for driver-firmware shared memory functions, since they are inaccessible from the 80188 core.

ISA Plug and Play I/O Resources — The Am79C930 device occupies 16 bytes of I/O space. The 40-byte I/O option is not available in the ISA Plug and Play mode of operation. The ELOW bit (bit 2 of the BSS register (SIR1)) will be forced to 0 when the Am79C930 device has been placed into ISA Plug and Play mode. The I/O space of the Am79C930 device contains the General Configuration Register, the Bank Switching Select Register, and the set of 32 TIR registers. Additionally, all Am79C930 resources are accessible through I/O accesses, i.e., all *memory* structures are accessible through the Local Memory Address and I/O Data Ports (SIR2,3,4,5,6,7).

The Local Memory Address port plus SIR1[5:3] function together as a pointer to the memory resources of the Am79C930 device. SIR1[5] determines the device selected (SRAM or Flash) and SIR1[4:3], and LMA[14:0] supply the address to the selected device whenever the I/O Data Port is read or written. Whenever any of the I/O Data Ports is accessed, then the Local Memory Address Port value is automatically incremented by a value of 1.

The next table indicates the mapping of all I/O resources that are accessible through the Am79C930 ISA system interface.

Note that some resources are physically located within the BIU, while others are located in the TAI, and still others exist as external Flash and SRAM. Also note that additional registers for ISA Plug and Play exist in the BIU and are indirectly accessed through the Plug and Play ADDRESS, WRITE_DATA, and READ_DATA ports. All resources are 1 byte in width.

When accessing Am79C930 I/O resources through ISA I/O cycle accesses, the upper 8 bits of the ISA system address will be ignored. Only the lower 16 bits of address will be used to check for a match of the address range assigned to the Am79C930 device by the Plug and Play configuration program (i.e., the I/O Base Address = IOBA). (The Plug and Play configuration program will have written an I/O base address value into the I/O Base Address registers (Plug and Play ports 60h and 61h) following system boot up and auto-configuration.) The ISA Plug and Play I/O base address *must* be aligned to a 16-byte boundary in I/O space. This alignment requirement should be included in the Resource Data I/O Port Descriptor Base Alignment field that is programmed into the Flash device and read by the Plug and Play configuration utility. These conditions *must* be satisfied for proper operation.

Am79C930 Device ISA Plug And Play Mode I/O MAP

Resource Name	Mnemonic	ISA I/O address	SIR1 Bits [2:0]	Resource Size	Physical Location of Resource
SIR0: General Configuration Register	SIR0: GCR	IOBA*+0000h	XXX**	1 byte	BIU
SIR1: Bank Switching Select Register	SIR1: BSS	IOBA+0001h	XXX	1 byte	BIU
SIR2: Local Memory Address [7:0]	SIR2: LMAL	IOBA+0002h	XXX	1 byte	BIU
SIR3: Local Memory Address [14:8]	SIR3: LMAU	IOBA+0003h	XXX	1 byte	BIU
SIR4: I/O Data Port [7:0]	SIR4: DPLL	IOBA+0004h	XXX	1 byte	Indirect access to SRAM or Flash memory
SIR5: I/O Data Port [15:8]	SIR5: DPLM	IOBA+0005h	XXX	1 byte	Indirect access to SRAM or Flash memory
SIR6: I/O Data Port [23:16]	SIR6: DPUM	IOBA+0006h	XXX	1 byte	indirect access to SRAM or Flash memory
SIR7: I/O Data Port [31:24]	SIR7: DPUU	IOBA+0007h	XXX	1 byte	Indirect access to SRAM or Flash memory
TIR 0–7	–	IOBA+0008h – IOBA+000Fh	000	1 byte each location	TAI
TIR 8–15	–	IOBA+0008h – IOBA+000Fh	001	1 byte each location	TAI
TIR 16–23	–	IOBA+0008h – IOBA+000Fh	010	1 byte each location	TAI
TIR 24–31	–	IOBA+0008h – IOBA+000Fh	011	1 byte each location	TAI
Device does not respond to these accesses	–	IOBA+0010h – IOBA+0027h	0XX	NA	na
Impossible programming of SIR1 bits (SIR1[2] = 0 always in ISA Plug and Play mode)	na	na	1XX	NA	na
Plug and Play ADDRESS Auto-Configuration Port	PPA	0279h (fixed) (write only)	XXX	1 byte	BIU
Plug and Play WRITE_DATA Auto-Configuration Port	PPWD	0A79h (fixed) (write only)	XXX	1 byte	BIU
Plug and Play READ_DATA Auto-Configuration Port	PPRD	0203h – 03FFh	XXX (relocatable) (READ ONLY)	1 byte	Indirect access to ISA Plug and Play register set

*IOBA = ISA Plug and Play I/O Base Address

**X = Don't Care

ISA Plug and Play Register Set — The Am79C930 device fully supports the ISA Plug and Play specification, revision 1.0a.

The Am79C930 device supports the Plug and Play Auto-configuration scheme. The Plug and Play

ADDRESS Auto-configuration Port, WRITE_DATA Auto-configuration Port, and READ_DATA Auto-configuration Port are all supported and are mapped into ISA I/O space as follows:

Am79C930 Device ISA Plug And Play Mode Supported Auto-Configuration Ports

Port Name	ISA (IEEE P996) I/O Address	Access
ADDRESS	0279h	Write only
WRITE_DATA	0A79h	Write only
READ_DATA	0203h – 03FFh (relocatable)	Read only

The location of the READ_DATA Auto-configuration port is only fixed within the range 0203h–03FFh. The exact location is determined by a write to the appropriate Plug and Play Auto-configuration port (Set READ_DATA Auto-configuration port).

The WRITE_DATA port and the READ_DATA port are not active until the Initiation Key has been sent to the Am79C930 device through the ADDRESS port. This behavior conforms to the requirements of the Plug and Play specification.

The Am79C930 device implements the four Plug and Play configuration states: “Wait for Key,” “Sleep,” Isolation,” and “Config.”

All Plug and Play ports are 8 bits in width.

To fully support the Plug and Play mechanism, the following additional register locations are defined within the Am79C930 device. Except for the Resource Data register, these registers are physically located within the BIU and are accessed indirectly, through setting the Plug and Play Port Address in the Plug and Play ADDRESS port (location I/O 0279h) and then by accessing either the WRITE_DATA port or the READ_DATA port. The 80188 embedded core does not have access to the registers in the following table.

Am79C930 Device ISA Plug And Play Mode Plug And Play Register Set

ISA Plug and Play Register Name	Plug and Play Port ADDRESS	Physical Location
Set READ_DATA port	00h	BIU
Serial Isolation	01h	BIU
Configuration Control	02h	BIU
Wake [CSN]	03h	BIU
Resource Data	04h	Flash Memory 1 FC00h–1 FFF0h Total of 1K–16 bytes. The uppermost 16 bytes of Flash memory space are reserved because they are the location of the embedded 80188 core's instruction pointer following an Am79C930 device reset operation.
Status	05h	BIU
Card Select Number (CSN)	06h	BIU
Logical Device Number	07h	BIU
Unused	08h–2Fh	NA
Activate	30h	BIU
I/O Range Check	31h	BIU
Unused	32h–3Fh	NA
Memory Base Address bits [23:16] descriptor	0 40h	BIU
Memory Base Address bits [15:08] descriptor	0 41h	BIU
Memory Control	42h	BIU
Memory range length bits [23:16] for descriptor	0 43h	BIU
Memory range length bits [25:08] for descriptor	0 44h	BIU
Unused	45h–5Fh	NA
I/O Base Address bits [15:08] descriptor	0 60h	BIU
I/O Base Address bits [07:00] descriptor	0 61h	BIU
Memory Control	62h–6Fh	BIU
Interrupt request level select 0	70h	BIU
Interrupt request type select	0 71h	BIU
Unused	72h–73h	NA
DMA Channel Select 0	74h	BIU
Unused	75h–FFh	NA

The Am79C930 device maps the Resource Data register accesses into 1K–16 of the upper 1 Kbytes of the Flash memory space so that Resource Data may be read from the Flash memory. Byte 0 of the Am79C930 device's Resource Data is mapped to location 1 FC00h of the Flash memory. A maximum of 1K–16 bytes of Resource Data is allowed by the Am79C930 design.

Note that the upper 16 bytes of the Flash memory are reserved for use by the firmware and the embedded 80188 core for 80188 core initialization. The upper 16 bytes of the Flash memory may not be used to store ISA Plug and Play Resource Data.

MAC Firmware Resources

The Am79C930 device contains an embedded 80188 core that can be used to perform the majority of the tasks necessary to implement the MAC portion of the IEEE 802.11 (draft) standard. The following section describes the resources that are available to the 80188 core and, hence, to firmware written for the embedded 80188.

MAC (80188 core) Memory Resources — The Am79C930 device contains several resources that are accessible through the 80188 core. These resources include: up to 128K–128 bytes of SRAM, up to 128 Kbytes of Flash memory, 16 MIR registers, 32 TIR registers, and 16 bytes of peripheral device space attached to the \overline{XCE} pin. All of the resources that are available to the 80188 core are mapped into 80188 memory space. The LMCS and UMCS registers of the 80188 core must be properly programmed to generate \overline{UCS} and \overline{LCS} signals in order to take full advantage of all of the resources provided by the Am79C930 device and associated SRAM, Flash and XCE devices.

(In reality, only \overline{UCS} is used internally. When an access is performed without the presence of an active \overline{UCS}

signal, then \overline{LCS} is assumed, and the access is externally directed toward the SRAM with the \overline{SCE} signal, or internally to the TAI register set, or to the external \overline{XCE} device).

Note that the BIU contains at least two separate register spaces. The System Interface Registers (SIR) (space is visible to the system interface, but is not visible to the embedded 80188. The MAC Interface Registers (MIR) space is visible to the embedded 80188, but is not visible to the system interface. Communication between the device driver and the 80188 core occurs indirectly, as the bits of the MIRQ register will affect bits in the General Configuration Register (SIRQ) and vice versa. Note that a total of 16 bytes of space is reserved for the MIR registers, while currently only 10 MIR registers are defined. The remaining 6 MIR locations are reserved. Also note that all 32 TIR registers are visible to both the 80188 core and the system interface.

Am79C930 80188 memory resources may be mapped using either of two schemes. One scheme makes 256K separate memory locations usable as 128K of Flash memory space, 128K–128 bytes of SRAM, 64 bytes of BIU, TAI, and \overline{XCE} resources and 64 bytes of reserved space. The other mapping scheme will alias the Flash memory into a portion of the SRAM space. The following text and tables describe each of the mapping schemes.

The first mapping scheme (scheme "A") places SRAM, the 32 TIR registers, the 16 MIR registers, and the 16 \overline{XCE} locations into the lower 128K of memory space. The Flash memory is mapped into the upper 128K of memory space. This scheme requires that the LMCS register of the 80188 core be set to 1FF8h. The UMCS register of the 80188 core must be set to E038h. Also required is that bit 6 of the MIRQ register (the mapping select bit) is set to 0.

80188 Core Memory Map Using Scheme “A”, LMCS=1FF8h, UMCS=E038h, MIR0[6]=0

80188 Address in Memory	Active 80188 Chip Select	Active Am79C930 Chip Select	Size of Space	Physical Location of Memory
0 0000h–0 03FFh	$\overline{\text{LCS}}$	$\overline{\text{SCE}}$	1 Kbytes	SRAM Memory 0 0000h–0 03FFh
0 0400h–0 041Fh	$\overline{\text{LCS}}$	none	32 bytes	TIR 0–31
0 0420h–0 042Fh	$\overline{\text{LCS}}$	none	16 bytes	MIR 0–15
0 0430h–0 043Fh	$\overline{\text{LCS}}$	$\overline{\text{XCE}}$	16 bytes	$\overline{\text{XCE}}$ locations 0–15
0 0440h–0 047Fh	$\overline{\text{LCS}}$	none	64 bytes	Reserved for future use—access to these areas is currently undefined
0 0480h–1 FFFFh	$\overline{\text{LCS}}$	$\overline{\text{SCE}}$	128K–1K–128 bytes	SRAM Memory 0 0480h–1 FFFFh
2 0000h–D FFFFh	none	none	768 Kbytes	Undefined
E 0000h–F FFFFh	$\overline{\text{UCS}}$	$\overline{\text{FCE}}$	128 Kbytes	Flash Memory 0 0000h–1 FFFFh

The second mapping scheme (scheme “B”) places 32K of the SRAM, the 32 TIR registers, the 16 MIR registers, and the 16 XCE locations into the lowest 32K of memory space, and then maps the upper 96K of Flash memory to memory locations 32K through 128K. All 128K of the Flash memory is also available at the uppermost 128K memory locations of the 80188 core’s address space. This scheme allows the LMCS register of the 80188 core be set to 07F8h or 0FF8h or 1FF8h. The UMCS register of the 80188 core must be set to E038h. Also

required is that bit 6 of the MIR0 register (the mapping select bit) is set to 1. Note that with mapping scheme “B”, a maximum of 32K–128 bytes of SRAM space is available for use. The advantage of mapping scheme “B” is that when all 80188 firmware can fit into 32K of Flash memory space and the SRAM memory requirement for the application is less than or equal to 32K, then all 80188 operations occur within a single 64K memory segment.

80188 Core Memory Map Using Scheme “B”, LMCS=1FF8h, UMCS=E038h, MIR0[6]=1

80188 Address in Memory	Active 80188 Chip Select	Active Am79C930 Chip Select	Size of Space	Physical Location of Memory
0 0000h–0 03FFh	$\overline{\text{LCS}}$	$\overline{\text{SCE}}$	1 Kbytes	SRAM Memory 0 0000h–0 03FFh
0 0400h–0 041Fh	$\overline{\text{LCS}}$	none	32 bytes	TIR 0–31
0 0420h–0 042Fh	$\overline{\text{LCS}}$	none	16 bytes	MIR 0–15
0 0430h–0 043Fh	$\overline{\text{LCS}}$	$\overline{\text{XCE}}$	16 bytes	$\overline{\text{XCE}}$ locations 0–15
0 0440h–0 047Fh	$\overline{\text{LCS}}$	none	64 bytes	Reserved for future use—access to these areas is currently undefined
0 0480h–0 7FFFh	$\overline{\text{LCS}}$	$\overline{\text{SCE}}$	32K–1K–128 bytes	SRAM Memory 0 0480h–1 FFFFh
0 8000h–1 FFFFh	don’t care	$\overline{\text{FCE}}$	96 Kbytes	Flash Memory 0 8000h–1 FFFFh
2 0000h–D FFFFh	none	none	768 Kbytes	Undefined
E 0000h–F FFFFh	$\overline{\text{UCS}}$	$\overline{\text{FCE}}$	96 Kbytes	Flash Memory 0 0000h–1 FFFFh

MAC (80188 core) Memory Resources Restrictions — Some of the Am79C930 device 80188 core's memory locations have predefined uses and,

therefore, are not freely available to the firmware. The following table indicates restricted space within the 80188 core memory map of the Am79C930 device:

Restricted Space In The 80188 Core Memory Map Using Scheme RAS or RBS, LMCS=1FF8h, UMCS=E038h, MIR0[7]=0 or 1

80188 Address in Memory	Active 80188 Chip Select	Size of Space	Physical Location of Memory
0 0440h–0 047Fh	$\overline{\text{LCS}}$	64 bytes	Reserved for future use – DO NOT access these locations
F FC00h–F FFEFh	$\overline{\text{UCS}}$ upon the operating mode of	1K–16 bytes	Flash Memory 1 FC00h–1 FFEFh These locations are reserved for use as PCMCIA CIS or for use as ISA Plug and Play Resource Data, depending the device. These locations must not be used by the 80188 firmware.
F FFF0h–F FFFFh	$\overline{\text{UCS}}$	16 bytes	Flash Memory 1 FFF0h–1 FFFFh These locations must be used to store the first instructions for the 80188 firmware, since the 80188 core's instruction pointer will point to location F FFF0h after a Am79C930 reset. (Note that 80188 location F FFF0h will appear as 1 FFF0h on the memory interface bus, since only 17 address bits are available at the memory interface bus.)
	total:	1 Kbytes	

MAC (80188 core) Interrupt Channel Allocation — The TAI and BIU sections of the Am79C930 device both generate interrupts to the 80188 core. TAI generated interrupts will always appear on the INT0 input of the 80188 core. BIU generated interrupts will always appear on the INT1 input of the 80188 core. Firmware should appropriately recognize the source of each interrupt.

Interrupt Channel Allocation in the 80188 Core

80188 Interrupt Channel	Interrupt Source
INT0	TAI
INT1	BIU

The interrupt mode used by the 80188 core should be Master Mode Fully Nested, since no subunit of the Am79C930 device would respond to 80188 Interrupt Acknowledge cycles if they occurred. Note that when using the Master Mode Fully Nested interrupt mode of the 80188 core, no Interrupt Acknowledge cycles are generated; instead, the interrupt vector for each interrupt is generated internally. Internally generated interrupt vectors reside in the lower portion of 80188 memory space.

TAI sourced interrupts may occur due to various conditions that are signaled by TAI internal state machines. The TIR4 and TIR5 registers contain most of the bits that signal the various state-machine generated interrupts. The TCR11 location contains a few more interrupt sources. One of the TCR11 interrupt sources is through an external pin, USER1/IRQ12. This allows the user to connect an external interrupt source to the Am79C930

device to allow an interrupt to be generated to the Am79C930 device's internal 80188 core.

The BIU sourced interrupts are created by software manipulation, i.e., a bit in the driver software's I/O space is written to, and this in turn generates an interrupt to the 80188 microcontroller within the Am79C930 device.

In summary, the embedded 80188 controller can be interrupted from any of several sources: driver software, internally generated interrupt sources, and from an external source through the USER1/IRQ12 pin.

MAC (80188 core) DMA Channel Allocation — The TAI section of the Am79C930 device generates DMA requests to the 80188 core whenever either the transmit FIFO (TX FIFO) or the receive FIFO (RX FIFO) of the TAI needs servicing. DRQ0 becomes asserted whenever the RX FIFO is NOT empty, regardless of the state of the RXS bit of TIR16. DRQ1 becomes asserted whenever the TX FIFO is *not* full, regardless of the state of the TXS bit of TIR8. Appropriate programming of the DMA resources of the 80188 embedded controller is required in order to insure proper response to these requests. For example, when no TX operation is desired, then the DMA controller for DRQ1 should be disabled.

Note that the use of the 80188 controller's DMA resources is *not* required for any given Am79C930-based implementation, since both the RX FIFO and the TX FIFO are directly accessible as registers. That is, it is possible to use 80188 MOV instructions to load TX data into the TX FIFO. The TX FIFO may be loaded by writing

to TIR10. It is also possible to use 80188 MOV instructions to unload RX data from the RX FIFO. The RX FIFO may be unloaded by reading from TIR18.

DMA Channel Allocation In The 80188 Core

80188 DMA Channel	DMA Request Source
DRQ0	TAI RX FIFO NOT EMPTY
DRQ1	TAI TX FIFO NOT FULL

Loopback Operation

The Am79C930 device contains a loopback mode that is invoked by writing a 1 to the LOOPB bit of TCR3[7].

When LOOPB is set to a 1, then the Am79C930 device will perform an internal loopback of all transmissions. The data path transmitted will move out of the TX FIFO and be serialized.

Use of shared resources can be controlled by the order of writing to the TXS and RXS bits of TIR8 and TIR16, respectively. The bit (of TXS and RXS) that is set last will determine the owner of the SFD detection logic shared resource.

LED Support

Two pins are provided with the necessary drive capability to directly drive a standard indicator LED. The output value for these pins is directly programmable through TIR register bits that are accessible to both the 80188 embedded core through the memory interface and to the driver software through the system interface. These two pins are also programmable as inputs so that alternative functionality may be defined for these pins.

RESET Methods

There are multiple reset conditions that can be applied to the Am79C930 device. Each of the reset conditions and its effect on the device are indicated in the following sections.

RESET Pin

There is a single RESET input to the Am79C930 device. When the RESET pin is asserted for the specified minimum time and then the RESET pin is deasserted, generally speaking, all major state machines in the Am79C930 device and all registers in the Am79C930 device are reset to their default values, with the exceptions noted below.

The following registers and state machines are RESET to their default values by assertion of the RESET pin:

(Note that some register locations' default values are UNDEFINED):

All SIR registers, *except* SIR2[7:0] and SIR3[6:0], which are unaffected.

All MIR registers.

All TIR registers.

All TCR registers.

All TAI state machines.

All PCMCIA registers.

All ISA PnP registers.

The ISA PnP state machine is returned to its idle state.

The 80188 controller is held in RESET as long as the RESET pin is held asserted.

The sleep state machine is returned to its idle state (i.e., awake).

The memory bus arbitration state machine is returned to its idle state.

The BIU will be reset to an inactive state, such that all tri-stateable outputs will be put into a high-impedance state. The internal slave state machine will revert to the idle state; any slave operation that was in progress at the time of the RESET operation will be abruptly discontinued. The BIU will recognize a new slave access from the host beginning four CLKIN clocks of the deassertion of the RESET pin.

The embedded 80188 controller will be reset by the assertion of the RESET pin, provided that the minimum pulse width requirement for the RESET signal is met.

Any TX or RX operation that was in progress at the TAI at the time of the RESET assertion will be discontinued abruptly. All RX and TX FIFO data will remain in the FIFOs. RX and TX FIFOs can only be cleared by assertion of the RXFR and TXFR bits of TIR16 and TIR8. TAI Unit will not resume TX and RX operations until the 80188 core instructs it to do so.

SWRESET (SIR0[7])

The SWRESET bit of SIR0[7] can be used to reset the system interface section of the Am79C930 device. When the SWRESET bit is asserted, then the BIU section of the Am79C930 device will be reset, including the arbitration state machine that translates 80188 cycles into memory bus cycles.

The following registers and state machines are RESET to their default values by assertion of the SWRESET bit of SIR0[7]:

(Note that some register locations' default values are UNDEFINED):

All SIR registers, *except* SIR0[7] and all of SIR2[7:0] and SIR3[6:0] which are unaffected.

All MIR registers.

The sleep state machine is returned to its idle state (i.e., awake).

The memory bus arbitration state machine is returned to its idle state.

The following registers and state machines which are UNAFFECTED by assertion of the SWRESET bit of SIR0[7]:

SIR0[7] and all of SIR2[7:0] and SIR3[6:0] are unaffected by SWRESET.

TIR registers are unaffected by SWRESET.

TCR registers are unaffected by SWRESET.

TAI state machines are unaffected by SWRESET.

The 80188 controller is unaffected by SWRESET.

PCMCIA registers are unaffected by SWRESET.

ISA PnP registers are unaffected by SWRESET.

The ISA PnP state machine is unaffected by SWRESET.

It is generally recommended that the SWRESET bit of SIR0[7] should NOT be SET to a 1 unless the CORESET bit of SIR0[6] has first been set to a 1. This recommendation is to insure that the memory bus arbitration state machine is not reset while the 80188 embedded controller is executing an access. The proper sequence for using the SWRESET bit should be:

1. SET the CORESET bit SIR0[6] to a 1.
2. SET the SWRESET bit SIR0[7] to a 1.
3. RESET the SWRESET bit SIR0[7] to a 0.
4. RESET the CORESET bit SIR0[6] to a 0.

An option to this procedure is to first insure that the 80188 controller is in the HALT state before the SWRESET bit is asserted. However, note that the FLASHWAIT and SRAMWAIT values are reset by SWRESET; therefore, if 80188 operations are resumed after the SWRESET has been performed, the performance of the 80188 may be affected.

The user may decide not to follow these recommendations, but in such a case, it should be recognized that the 80188 may suffer from unpredictable behavior as a result.

CORESET (SIR0[6])

The CORESET bit of SIR0[6] can be used to reset the embedded controller and TAI sections of the Am79C930 device, along with a few locations in the MIR register space. When the CORESET bit is asserted, then the 80188 section of the Am79C930 device will be placed into reset, with behavior identical to that of a

standalone 80188 controller having its RESET pin asserted. TAI section of the Am79C930 device will also become reset with all registers returning to their default states, as will a few bits in the MIR register set.

The following is a complete list of registers and state machines that will become reset to default values with the assertion of the CORESET bit of SIR0[6]:

(Note that some register locations' default values are UNDEFINED):

All TIR registers.

All TCR registers.

MIR8[1:0] are reset to 11b.

MIR9[5:4] are reset to 11b.

All TAI state machines are reset by the assertion of CORESET.

The 80188 controller is held in RESET as long as the CORESET bit is held at a 1 level.

The following registers and state machines are UNAFFECTED by assertion of the CORESET bit of SIR0[6]:

The ISA PnP state machine is unaffected by CORESET.

The sleep state machine is unaffected by CORESET.

The memory bus arbitration state machine is unaffected by CORESET.

PCMCIA COR SRESET

The PCMCIA Configuration Option Register contains a reset bit in location [7] which is labeled SRESET. When SRESET is asserted, the entire Am79C930 device will become reset as though the RESET pin had been asserted, except that the asynchronous logic which is used to perform PCMCIA register accesses is *not* reset.

The following is a complete list of registers and state machines that will become reset to default values with the assertion of the COR SRESET bit of PCMCIA COR[7]:

(Note that some register locations' default values are UNDEFINED):

All PCMCIA registers, except COR[7].

All MIR registers.

All SIR registers, except SIR0[7], SIR2[7:0], and SIR3[6:0].

The memory bus arbitration state machine is returned to its idle state.

The sleep state machine is returned to its idle state (i.e., awake).

The following registers and state machines are UNAFFECTED by assertion of the PCMCIA COR SRESET bit of COR[7]:

All TIR registers are unaffected by COR SRESET.

All TCR registers are unaffected by COR SRESET.

All TAI state machines are unaffected by COR SRESET.

The 80188 controller is unaffected by COR SRESET.

It is generally recommended that the SRESET bit of COR[7] should *not* be SET to a 1 unless the CORESET bit of SIR0[6] has first been set to a 1. This recommendation is to insure that the memory bus arbitration state machine is not reset while the 80188 embedded controller is executing an access. The proper sequence for using the COR SRESET bit should be:

1. SET the CORESET bit SIR0[6] to a 1.
2. SET the COR SRESET bit PCMCIA COR[7] to a 1.
3. RESET the COR SRESET bit PCMCIA COR[7] to a 0.
4. RESET the CORESET bit SIR0[6] to a 0.

An option to this procedure is to first insure that the 80188 controller is in the HALT state before the COR SRESET bit is asserted. Note however, that the FLASHWAIT and SRAMWAIT values are reset by COR SRESET; therefore, if 80188 operations are resumed after the COR SRESET has been performed, the performance of the 80188 may be affected.

The user may decide not to follow these recommendations, but in such a case, it should be recognized that the 80188 may suffer from unpredictable behavior as a result.

ISA PnP RESET

The ISA PnP Configuration Control Register may be used to reset the Am79C930 device. Writing the value "111b" to bits two through zero of this register (i.e., bits [2:0]) will cause an internal RESET pulse to occur within the Am79C930 device). The RESET pulse will last for 14 CLKIN periods.

This RESET will have the same effect as asserting the RESET pin of the Am79C930 device, except that, as stated above, the ISA PnP RESET is limited to a duration of 14 CLKIN periods.

SRES (TIR0[5])

The SRES bit of TIR0[5] can be used to reset the TAI section of the Am79C930 device. When the SRES bit is asserted, then the TAI section of the Am79C930 will be reset.

The following registers and state machines are RESET to their default values by assertion of the SRES bit of TIR0[5]:

(Note that some register locations' default values are UNDEFINED)

All TIR registers, except TIR0[7:0] which is unaffected.

All TCR registers are reset to default values by SRES.

All TAI state machines are reset to idle states by SRES.

The following registers and state machines are UNAFFECTED by assertion of the SRES bit of TIR[5]:

The sleep state machine is unaffected by SRES.

The memory bus arbitration state machine is unaffected by SRES.

All SIR registers are unaffected by SRES.

All MIR registers are unaffected by SRES.

The 80188 controller is unaffected by SRES.

PCMCIA registers are unaffected by SRES.

ISA PnP registers are unaffected by SRES.

The ISA PnP state machine is unaffected by SRES.

REGISTER DESCRIPTIONS

The Am79C930 device has five distinct areas of register storage: System Interface Register (SIR), MAC Interface Register (MIR), Transceiver Attachment Interface Unit Register (TIR), Transceiver Attachment Interface Unit Configuration Register (TCR), and the PCMCIA (or ISA Plug and Play) register sets.

The SIR space contains eight registers which are used by the host driver to control Am79C930 device operations and to collect status, namely, the General Configuration Register and the Bank Switching Select Register. The Local Memory Address and Local Memory Data registers may be used instead of system-memory-mapped transfers to SRAM and Flash locations in order to eliminate the need for system memory space allocation. These registers are only accessible at the system interface; they are inaccessible from the 80188 core.

The MIR space contains 16 registers which are used by the firmware to control allow communication between the firmware (MAC layer) and the device driver. This register set also contains the power down registers. These registers are only accessible through the 80188 core; they are inaccessible from the system interface.

The TIR space contains 32 registers which are used by the 80188 core to control the Am79C930 device's TAI unit, to collect TAI status, and to transfer data to and from the TAI. These registers are accessible from both the system interface and the 80188 core.

The TCR space contains 32 registers which are used by the 80188 core to define the functionality of the Am79C930 device's TAI unit. These registers are indirectly accessible from both the system interface and the 80188 core through an address and data port that are part of the TIR set of registers.

The PCMCIA register set consists of two Card Configuration Registers (CCR) and the Configuration Information Space (CIS). Full support of the PCMCIA standard (version 2.1) is facilitated through these registers. The CCR space is only accessible through the system interface. The CIS space is accessible from both the system interface and from the 80188 core, although the 80188 core should never need to access the CIS.

The ISA Plug and Play register set consists of three basic registers which allow an indirect access to an additional 19 Plug and Play configuration registers plus a double indirect access to 1K–16 bytes of Plug and Play Resource Data space. The Plug and Play register space is only accessible through the system interface, except that the Resource Data space is also mapped into a portion of the 80188 core memory space.

Note that all register locations are defined to be 8 bits in width.

Some register bits indicate the value “pin” for their default reset value. Such register bits have a pin as an optional data source and such pins are by default defined as inputs; hence, the register bit value of “pin” indicates that the default register bit value depends upon the value of a pin and is therefore system dependent.

Some register bits indicate the value “–” for their default reset value. Such register bits have an undefined default value, even though repeated read accesses may yield a consistent result for some bit locations thus marked. AMD reserves the right to modify the behavior of these bits at any time in the future (such as in a revision of this device) and, therefore, all values read from these locations should be regarded as unknown until such time as a use has been assigned to them. Note also that all such bits have a write value that must be used when write accesses to other bit locations in the register occur. This write value is usually 0. Users must strictly obey prescribed write values to avoid future software incompatibility problems.

System Interface Registers (SIR space)

The SIR space contains eight registers which are used by the host driver to control Am79C930 device operations and to collect status, namely, the General Configuration Register and the Bank Switching Select Register. The Local Memory Address and Local Memory Data registers may be used instead of system-memory-mapped transfers to SRAM locations in order to eliminate the need for system memory space allocation. These registers are only accessible at the system interface; they are inaccessible from the 80188 core.

SIR0: General Configuration Register (GCR)

This register is used to control general functions related to the Am79C930, particularly interrupts to and from the 80188 core and power down functions.

Bit	Name	Reset Value	Description						
7	SWRESET	0	Software Reset. When SWRESET is set to a 1, the BIU will be RESET, with the exception of the SWRESET bit and the software reset bit in the PCMCIA Card Configuration Register. The 80188 embedded controller will not be reset. TAI will not be reset. SWRESET is unaffected by the RESET bit of the PCMCIA Configuration Option Register.						
6	CORESET	0	Core Reset. When CORESET is set to a 1, the 80188 embedded controller and the TAI are held in RESET. In addition, the FLASHWAIT and SRAMWAIT fields of MIR8 and MIR9 are set to their default states of "11b". The reset to the 80188 core and the TAI remains active as long as CORESET has the value 1. During the reset time, the Am79C930 memory interface bus is directly accessible through the system interface.						
5	DISPWDN	0	Disable Power Down Mode. When DISPWDN is set to a 1, the Am79C930 device will be prevented from entering the power down mode. If the Am79C930 device is already in the power down mode when DISPWDN notes a transition from 0 to 1, then the power down mode will be exited within three CLKIN periods.						
4	ECWAIT	0	Embedded Controller WAIT Mode. When ECWAIT is set to 1, the RDY input to the 80188 core will be held deasserted forcing the 80188 core into a WAIT state. At the same time, the system interface side of the BIU will be placed into direct access mode, such that system interface access cycles will have direct access to the Am79C930 memory interface. When ECWAIT is reset to a 0, the RDY line to the 80188 core will be reasserted, the 80188 core will resume operation and system interface direct access mode will cease. ECWAIT also functions to determine the source of interrupts to the system (through the system interface interrupt pin(s)) as follows: <table border="1" data-bbox="722 1308 1295 1491"> <thead> <tr> <th>ECWAIT (SIR0[4])</th> <th>Source of Interrupts Sent To System</th> </tr> </thead> <tbody> <tr> <td>0</td> <td>MIR0[2] (note that this bit is set by 80188 firmware)</td> </tr> <tr> <td>1</td> <td>TAI interrupt</td> </tr> </tbody> </table>	ECWAIT (SIR0[4])	Source of Interrupts Sent To System	0	MIR0[2] (note that this bit is set by 80188 firmware)	1	TAI interrupt
ECWAIT (SIR0[4])	Source of Interrupts Sent To System								
0	MIR0[2] (note that this bit is set by 80188 firmware)								
1	TAI interrupt								
3	ECINT	0	Embedded Controller Interrupt. ECINT indicates that an interrupt for the system has been generated by either the 80188 core or the TAI. Only one interrupt source is operable at one time. The operable interrupt source is determined by the setting of the 80188 WAIT mode bit (SIR0[4]). This bit will stay set until the driver software clears the interrupt by writing a 1 to this bit.						

2	INT2EC	0	Interrupt to Embedded Controller. When INT2EC is set to a 1, an interrupt is sent to the 80188 core. INT2EC will stay set at 1 until the 80188 core clears this bit by writing a 1 to bit 3 of the MIR0 register. Writing a 0 to INT2EC will have no effect on the value of INT2EC.
1	ENECINT	0	Enable Embedded Controller Interrupts. When set to 1, enables 80188 core-generated interrupts to be passed to the BIU, where they will appear as interrupts on the ECINT bit of SIR0 and also on the system interface interrupt pin. When set to 0, no 80188 core-generated interrupts will be passed to the BIU.
0	DAM	0	Direct Access Mode. DAM is a read-only bit that indicates that the 80188 embedded controller has set the SIDA bit of MIR0 (bit 7), thereby giving the system interface direct accessibility to the memory interface of the Am79C930 device. The 80188 embedded controller should only give such access to the system interface when the 80188 follows such action with a HALT instruction, otherwise 80188 accesses to the memory interface may interfere with the direct access given to the system interface. This mode can be released if the system interface interrupts the 80188. An 80188 interrupt will cause the 80188 to exit the HALT state and will allow the 80188 to reset the SIDA bit to 0. The value of the DAM bit is the same as the value of the SIDA bit of MIR0 (bit 7).

SIR1: Bank Switching Select Register (BSS)

This register contains Bank Select bits for various Am79C930 resources and other control bits.

Bit	Name	Reset Value	Description
7	ECATR	0	Embedded Controller ALE Test Read. Contains latched ALE value from the 80188 core. Writing a 0 will clear this bit. Whenever the 80188 core ALE signal becomes active (1), then this bit will become 1 and will stay 1 until either it is written as a 0 or a reset occurs.
6	Reserved	–	Read only as a 0.
5	FS	0	Flash Select. When FS is set to 1, common memory accesses across the host bus will be made to the Flash memory, not SRAM. When FS is reset to 0, the host accesses are directed to the SRAM.
4:3	MBS	00	Memory Bank Select. These two bits act as Am79C930 memory interface bus address bits MA[16:15] during system interface accesses to Flash and SRAM.
2	EIOW	0	Expand I/O Window. When EIOW is reset to 0, the TAI can only be accessed through system interface addresses I/O offsets 0008h through 000Fh and the TAI Bank Select bits must be used to access the full set of TIR registers. When EIOW is set to 1, the TAI address space is mapped to system interface addresses I/O offsets 0008h through 0027h. EIOW is always 0 when the Am79C930 device has been set to the ISA Plug and Play mode of operation. EIOW is not writeable when the Am79C930 device has been set to the ISA Plug and Play mode of operation.
1:0	TBS	00	TAI Bank Select. When the EIOW bit is set to 0, then the TBS bits will act as Am79C930 memory interface bus address bits MA[4:3] during system interface accesses to the TIR registers.

SIR2: Local Memory Address Register [7:0] (LMA)

This register is the beginning address on the local bus for system interface I/O transfers that are made to the I/O Data Port. This register automatically increments by

“1” following each read or write operation of any section of the I/O Data Port. (MA[16:15] will be given the values of BSS[4:3] – memory bank select bits.)

Bit	Name	Reset Value	Description
7:0	LMA[7:0]	–	These 8 bits act as Am79C930 memory interface bus address bits MA[7:0] during system interface accesses to Flash and SRAM whenever any section of the I/O Data port is read or written. The LMA[14:0] value is automatically incremented by R1S after any section of the I/O Data Port is read or written.

Note that these bits are unaffected by any RESET operation.

SIR3: Local Memory Address Register [14:8] (LMA)

This register is the beginning address on the local bus for system interface I/O transfers that are made to the I/O Data Port. This register automatically increments by

“1” following each read or write operation of any of the I/O Data Ports in which the LMA [7:0] register produces a carry out from bit LMA[7].

Bit	Name	Reset Value	Description
7	ISAPWRDWN	0	Requests the 80188 to enter power down mode if the device is operating in the ISA Plug and Play mode. If already in power down mode, this bit will indicate 1. If written with a 0 while in power down mode, power down mode is exited. When written with a 1, value read will remain 0 until the device actually enters the power down mode. When written with a 1, the PWRDWN bit generates an interrupt to the 80188, requesting that the 80188 core place the Am79C930 device into the power down state. The interrupt is signaled in MIRQ, bit 5. The PWRDWN bit of SIR3 is identical in function to the PCMCIA Card Configuration and Status Register's Power Down bit, but this bit is only functional when the ISA Plug and Play mode has been selected. This bit is reserved and should be written as 0 when the PCMCIA mode of operation has been selected. Reads of this bit produce undefined data when in PCMCIA mode.
6:0	LMA[14:8]	–	These seven bits act as Am79C930 memory interface bus address bits MA[14:8] during system interface accesses to Flash and SRAM whenever any section of the I/O Data port is read or written. The LMA[14:0] value is automatically incremented by “1” after any of the I/O Data Ports is read or written. (Note that MA[16:15] will be given the values of SIR1[4:3] – memory bank select bits.)

Note that these bits are unaffected by any RESET operation.

SIR4: I/O Data Port A (IODPA)

This register directly accesses the Am79C930 memory interface data bus at the memory interface bus address specified by the current value of the LMA registers and the SIR1[5:3] bits. Each read or write operation of any of the I/O Data Ports causes an increment of “1” to the LSB

of the LMA. All four I/O Data Ports will use the same LMA and SIR1[5:3] values. That is, each I/O Data Port is equivalent to the others, except for their location in system I/O space. Different I/O Data Ports do not imply a built in offset of LMA values.

Bit	Name	Reset Value	Description
7:0	IODPA[7:0]	–	These eight bits act as Am79C930 memory interface bus data bits MD[7:0] during system interface accesses to Flash and SRAM whenever any section of the I/O Data port is read or written.

SIR5: I/O Data Port B (IODPB)

This register is a system interface I/O address alias of I/O Data Port A.

Bit	Name	Reset Value	Description
7:0	IODPB[7:0]	–	Aliased to I/O Data Port A.

SIR6: I/O Data Port C (IODPC)

This register is a system interface I/O address alias of I/O Data Port A.

Bit	Name	Reset Value	Description
7:0	IODPC[7:0]	–	Aliased to I/O Data Port A.

SIR7: I/O Data Port D (IODPD)

This register is a system interface I/O address alias of I/O Data Port A.

Bit	Name	Reset Value	Description
7:0	IODPD[7:0]	–	Aliased to I/O Data Port A.

MAC Interface Registers (MIR Space)

The MAC Interface Unit Register (MIR) space contains 16 registers which are used by the firmware to allow communication between the firmware (MAC layer) and the device driver. This register set also contains the

power down registers. These registers are only accessible through the 80188 core; they are inaccessible from the system interface.

MIR0: Processor Interface Register (PIR)

This register is used to communicate to and from the driver at the system interface.

Bit	Name	Reset Value	Description
7	SIDA	0	System Interface Direct Access. When SIDA is set to 1, then the system interface side of the BIU is in direct memory access mode, such that system interface access cycles will have direct access to the Am79C930 memory interface. This mode should only be invoked if the 80188 will be placed into HALT mode by an appropriate instruction within the 80188 firmware during the time that SIDA is set to 1. When SIDA is reset to 0, then system interface accesses to the Am79C930 memory interface will be translated by the internal BIU arbitration state machine.
6	ECMRMS	0	Embedded Controller Memory Resource Mapping Scheme. When ECMRMS is set to 1, the top 96K of Flash memory is mapped to 80188 memory locations 8000h to 1FFFFh. All of Flash memory is still available at the “normal” locations E0000h to FFFFFh. When ECMRMS is reset to 0, Flash memory is mapped only to locations E0000h to FFFFFh.
5	SPDREQ	0	System Power Down Request. SPDREQ will indicate a 1 when the device driver writes a 1 to the PCMCIA Power Down Request bit in the PCMCIA Card Configuration and Status Register or when the device driver writes a 1 to the SIR3 ISAPWRDWN bit. When SPDREQ is a 1, an interrupt to the 80188 will be generated. SPDREQ will become cleared when the 80188 core writes a 1 to SPDREQ.

4	PDC	0	Power Down Command. When PDC is set to 1, the power down cycle of the BIU power down state machine will begin. PDC will automatically clear itself after completion of the power down operation.
3	SYSINT	0	System Interrupt. SYSINT Indicates a 1 after the system issues an interrupt command to the 80188 core by writing to the INT2EC bit of the GCR register (SIR0). SYSINT will become cleared to a 0 when the 80188 core writes a 1 to SYSINT.
2	INT2SYS	0	Interrupt To System. When INT2SYS is set to a 1, an interrupt is generated to the system, provided that the ECWAIT bit (SIR0[4]0) is set to 0. INT2SYS will stay set at 1 until the system clears it by writing a 1 to ECINT (bit 3 of SIR0). Writing a 0 to INT2SYS will have no effect.
1	SYSINTM	0	System Interrupt Mask. When SYSINTM is set to a 1, system-generated interrupts (through the SYSINT bit of MIRO) are allowed to be passed to the 80188. When SYSINTM is reset to 0, no system-generated interrupts will be passed to the 80188.
0	PWDNDN	0	Power Down Done. When Power Down mode is completed, then PWDNDN will automatically become set to 1 and an interrupt to the 80188 core will be generated. The 80188 core may clear the PWDNDN bit by first writing a 1 to PWDNDN and then writing a 0 to PWDNDN. Note that PWDNDN will read as a 0, after writing a 1 to PWDNDN, but a 0 must still be written to PWDNDN in order to complete the reset operation. If a 0 is not written to PWDNDN, then the PWDNDN will be permanently held in reset.

MIR1: Power Up Clock Time [3:0] (PUCT)

This register is used to determine the length of time that will be used to allow the CLKIN buffer circuit to power up and stabilize before the end of the power down cycle.

The length of the power up phase will be the value of the PUCT times 0.5 msec.

Bit	Name	Reset Value	Description
7:4	PUCT[3:0]	0000b	Length of the power up stabilization time for the CLKIN buffer circuitry. The resolution of the power up clock timer is in increments of 16x (Period of PMX). The nominal PMX1/2 crystal value is 32.768 kHz, resulting in a resolution of $16 \times 31.25 \mu\text{s} = 500 \mu\text{s}$.
3:0	Reserved	–	Reserved. Must be written as a 0. Reads of this bit produce undefined data.

MIR2: Power Down Length Count [7:0] (PDLC)

This register is used to determine the length of power down cycles. Before execution of the power down sequence, the 80188 core must load the PDLC counter.

Upon execution of the power down sequence, the PDLC value will be counted down to zero and the power down cycle will end.

Bit	Name	Reset Value	Description
0	PDLC[7:0]	00h	Lower 8 bits of the length of the power down cycle counter. The resolution of the power down length counter is in increments of PMX1/2 periods. The nominal PMX1/2 crystal Value is 32.768 kHz, resulting in a resolution of 31.25 μs .

MIR3: Power Down Length Count [15:8] (PDLC)

This register is used to determine the length of power down cycles. Before execution of the power down sequence, the 80188 core must load the PDLC counter.

Upon execution of the power down sequence, the PDLC value will be counted down to zero and the power down cycle will end.

Bit	Name	Reset Value	Description
0	PDLC[15:8]	00h	Middle 8 bits of the length of the power down counter. The resolution of the power down length counter is in increments of PMX1/2 periods. The nominal PMX1/2 crystal value is 32.768 kHz, resulting in a resolution of 31.25 μ s.

MIR4: Power Down Length Count [22:16] (PDLC)

This register is used to determine the length of power down cycles. Before execution of the power down sequence, the 80188 core must load the PDLC counter.

Upon execution of the power down sequence, the PDLC value will be counted down to zero and the power down cycle will end.

Bit	Name	Reset Value	Description
7	PERMAREST	0	When set to a 1, this bit prevents the normal termination of the power down sequence, such that the PDLC and PUCT counts are ignored, and the power down mode is only exited when the PCMCIA PWRDWN bit is written with a 0, or when the SIRQ DISPWDN bit is written with a 1.
6:0	PDLC[22:16]	00h	Upper 7 bits of the length of the power down counter. The resolution of the power down length counter is in increments of PMX1/2 periods. The nominal PMX1/2 crystal value is 32.768 kHz, resulting in a resolution of 31.25 μ s.

MIR5: Free Count [7:0] (FCNT)

This register is a read-only register. **Do not write to this register or unexpected consequences will result.**

that uses the PMX1/2 clock as its basis. The free running count is reset only when the reset pin is asserted. Timer resolution is 31.25 μ s when PMX1/2 has a frequency of 32.768 kHz.

This register gives the value of the lowest byte of the free running count. The free running count is a 24-bit counter

Bit	Name	Reset Value	Description
7:0	FCNT[7:0]	00h	Least significant byte of the free running count.

MIR6: Free Count [15:8] (FCNT)

This register gives the value of the lowest byte of the free running count. The free running count is a 24-bit counter that uses the 32 kHz clock as its basis. The free running

count is reset only when the reset pin is asserted. Timer resolution is 31.25 μ s when PMX1/2 has a frequency of 32.768 kHz.

Bit	Name	Reset Value	Description
7:0	FCNT[15:8]	00h	Middle byte of the free running count.

MIR7: Free Count [23:16] (FCNT)

This register gives the value of the lowest byte of the free running count. The free running count is a 24-bit counter that uses the 32 kHz clock as its basis. The free running

count is reset only when the reset pin is asserted. Timer resolution is 31.25 μ s when PMX1/2 has a frequency of 32.768 kHz.

Bit	Name	Reset Value	Description
7:0	FCNT[23:16]	00h	Most significant byte of the free running count.

MIR8: Flash Wait States

This register gives the Flash Wait states.

Bit	Name	Reset Value	Description
7:4	Reserved	–	Reserved. Must be written as a 0. Reads of this bit produce undefined data.
3	HOSTALLOW	1	When this bit equals 1, then the host can access memory; if 0, then the host access is blocked completely
2	Reserved	–	Reserved. Must be written as a 0. Reads of this bit produce undefined data.
1:0	FLASHWAIT[1:0]	11b	These bits must be set equal to or greater than the number of wait states that are generated internally in the 80188 core as defined by the programming of the R1 and R0 bits of the 80188 UMCS register. Wait states programmed into FLASHWAIT will cause wait states to be inserted into 80188 access to Flash and system accesses to Flash. Each wait state added to a Flash access is equivalent to two CLKIN periods. These bits are interpreted as follows:

FLASHWAIT[1:0]	Number Of Wait States Used By Arbitration Logic For Flash Accesses
11	3
10	2
01	1
00	0

MIR9: TCR Mask STSCHG Data

This register contains TCR Mask, STSCHG Data, and SRAM Wait States.

Bit	Name	Reset Value	Description
7	CLKGT20	1	<p>CLKIN input is greater than 20 MHz. This bit must be set to a 1 by the 80188 code whenever the Am79C930 device is operating in a system that uses a source for the CLKIN input that is greater than 20 MHz in frequency. This information is needed in order to insure that the TAI section of the Am79C930 device is not pushed beyond design limits. Specifically, when CLKGT20 is set to 1, then the CLKIN signal is divided by 2 before being fed to the TAI section. CLKGT20 is also used to calibrate the time delay generated by the HOSTLONGWAIT counter. Specifically, if CLKGT20 = 1, then the number of CLKIN cycles that are counted for a system access WAIT period is 192 CLKIN periods; if CLKGT20 = 0, then the number of CLKIN cycles that are counted for a system access WAIT period is 96 CLKIN periods. This time adjustment is needed in order to avoid creating a PCMCIA WAIT signal that exceeds the 12.1 μs limit indicated in the PCMCIA specification.</p> <p>If the source for the CLKIN input is a 20 MHz or slower clock signal, then this bit should remain reset at 0.</p> <p>The CLKGT20 bit has an effect on the network data rate. See the table in the Data Rate bit section in TCR30[2:0].</p>

6	Reserved	–	Reserved. Must be written as a 0. Reads of this bit produce undefined data.
5:4	SRAMWAIT[1:0]	11b	These bits must be set equal to or greater than the number of wait states that are generated internally in the 80188 core as defined by the programming of the R1 and R0 bits of the 80188 LMCS register. Wait states programmed into SRAMWAIT will cause wait states to be inserted into 80188 access to SRAM and system accesses to SRAM. Each wait state added to an SRAM access is equivalent to two CLKIN periods. These bits are interpreted as follows.

SRAMWAIT[1:0]	Number Of Wait States Used By Arbitration Logic For SRAM
11	3
10	2
01	1
00	0

3	HOSTLONGWAIT	0	<p>When HOSTLONGWAIT is set to a 1, 96, or 192 CLKIN periods (depending upon the setting of the CLKGT20 bit of MIR9) of READY DELAY are added to all system access cycles that are directed to Flash, SRAM and TAI registers. (Note that accesses to PCMCIA registers, SIR registers and ISA PnP register are unaffected.) This delay is nominally 4.8 μs when CLKIN = 20 MHz and CLKGT20 is set to 0, and nominally 4.8 μs when CLKIN = 40 MHz and CLKGT20 is set to 1.</p>
---	--------------	---	--

When HOSTLONGWAIT is set to a 0, all host (system) access cycles will be delayed according to their position in the arbitration queue, where the only other master competing is the 80188 core and the requesting device has priority over the current master (i.e., worst case READY delay with HOSTLONGWAIT set to 0 is equal to 1 access performed by other master plus the number of wait states for the device being accessed.)

System write accesses will be posted and, therefore, may not immediately experience the “longwait” delay. However, the posted access must internally wait for the “longwait” before becoming completed and this will cause a subsequent system access to experience the full 4.8 μs wait time plus an additional 4.8 μs wait time for a total of 9.6 μs. Note, however, that the average wait time per host cycle in this case will still be 4.8 μs.

2	INITDN	0	Initialization Done. When set to a 0, this bit enables the pull up and pull down devices that are attached to the various multi-function pins. When set to a 1, the pull up and pull down devices are disabled, reducing standby current consumption to the minimum possible level.
---	--------	---	---

1	TCR Mask	0	TCR Mask. When set to a 1, writes to TCR13, TCR14, and TCR15 are ignored. This bit is provided as a security measure against accidental reprogramming of network interface pin function by poorly directed system accesses which could cause output-to-output connections to become established.
---	----------	---	--

0	STSCHGD	0	STSCHG Data. If the STSCHGFN bit of TCR15 has been set to a 1, and the WAKEUP bit of the PCMCIA CCSR is set to a 1, then this bit may be written with a 1 and writing a 0 to this bit has no effect. If the STSCHGFN bit of TCR15 has been set to a 1, then STSCHGD is reset to a 0 automatically whenever the WAKEUP bit of the
---	---------	---	--

PCMCIA CCSR is RESET to a 0. If the STSCHGFN bit of TCR15 has been set to a 0, then the value that is written to this bit will be inverted and driven to the $\overline{\text{STSTCHG}}$ pin of the Am79C930 device. The value that is read from this bit always represents the inverse of the current value of the $\overline{\text{STSTCHG}}$ pin of the Am79C930 device. THIS FUNCTION IS ONLY AVAILABLE IN PCMCIA MODE.

The complete control of the function of the $\overline{\text{STSCHG}}$ /BALE pin is described in the *Multi-Function Pin* section.

MIR10: Reserved

This register is reserved.

Bit	Name	Reset Value	Description
7:0	Reserved	–	Reserved. Must be written as a 0. Reads of this bit produce undefined data.

MIR11: Reserved

This register is reserved.

Bit	Name	Reset Value	Description
7:0	Reserved	–	Reserved. Must be written as a 0. Reads of this bit produce undefined data.

MIR12: Reserved

This register is reserved.

Bit	Name	Reset Value	Description
7:0	Reserved	–	Reserved. Must be written as a 0. Reads of this bit produce undefined data.

MIR13: Reserved

This register is reserved.

Bit	Name	Reset Value	Description
7:0	Reserved	–	Reserved. Must be written as a 0. Reads of this bit produce undefined data.

MIR14: Reserved

This register is reserved.

Bit	Name	Reset Value	Description
7:0	Reserved	–	Reserved. Must be written as a 0. Reads of this bit produce undefined data.

MIR15: Reserved

This register is reserved.

Bit	Name	Reset Value	Description
7:0	Reserved	–	Reserved. Must be written as a 0. Reads of this bit produce undefined data.

Transceiver Attachment Interface Registers (TIR Space)

The Transceiver Attachment Interface (TAI) Unit contains a total of 64 registers. Thirty-two of the registers are directly accessible from the 80188 embedded core and from the system interface through the BIU. The other 32 registers are indirectly accessed by first writing an INDEX value into the TCR Index Register (TIR24) and then executing a read or write operation to the TCR Data Port (TIR25). Since the indirectly accessible registers are used mostly for TAI configuration purposes, this set of registers is labeled TAI Configuration Registers (TCR). The following section describes the directly accessible registers of the TAI, or TIR.

The set of 64 TAI registers is intended primarily for use by the 80188 firmware. However, access through the system interface bus to the TAI register set is provided to allow for direct access by driver code for diagnostic and other purposes.

The exact location of the TIR register set as viewed from the system interface will depend upon the choice of mapping scheme as indicated by the Expand I/O Window bit (bit 2 of the BSS register (SIR1)). The following tables give the address for each of the directly accessible TIRs for each of the system interface modes for each of the two mapping schemes, as well as the address for each register as it appears in the memory map of the 80188 embedded core.

TIR mapping with SIR1 bit 2 (EIOW) set to "0" = normal TIR window mode. Note that EIOW = 0 is the only setting of EIOW that is allowed while operating in ISA PnP mode. TIR uses eight I/O addresses:

TIR Register Number	TIR Register Name	SIR1[1:0] (TAI Bank Select)	PCMCIA I/O Address	ISA Plug and Play I/O Address	80188 Core Address in Memory
0	Network Control	00	0008h	IOBA+0008h	mem 400h
1	Network Status	00	0009h	IOBA+0009h	mem 401h
2	Serial Device	00	000Ah	IOBA+000Ah	mem 402h
3	Fast Serial Port Control	00	000Bh	IOBA+000Bh	mem 403h
4	Interrupt Register 1	00	000Ch	IOBA+000Ch	mem 404h
5	Interrupt Register 2	00	000Dh	IOBA+000Dh	mem 405h
6	Interrupt Mask 1	00	000Eh	IOBA+000Eh	mem 406h
7	Interrupt Mask 2	00	000Fh	IOBA+000Fh	mem 407h
8	Transmit Control	01	0008h	IOBA+0008h	mem 408h
9	Transmit Status	01	0009h	IOBA+0009h	mem 409h
10	TX FIFO Data	01	000Ah	IOBA+000Ah	mem 40Ah
11	Transmit Sequence Control	01	000Bh	IOBA+000Bh	mem 40Bh
12	Byte Counter LSB	01	000Ch	IOBA+000Ch	mem 40Ch
13	Byte Counter MSB	01	000Dh	IOBA+000Dh	mem 40Dh
14	Byte Counter Limit LSB	01	000Eh	IOBA+000Eh	mem 40Eh
15	Byte Counter Limit MSB	01	000Fh	IOBA+000Fh	mem 40Fh
16	Receiver Control	10	0008h	IOBA+0008h	mem 410h
17	Receiver Status	10	0009h	IOBA+0009h	mem 411h
18	RX FIFO Data	10	000Ah	IOBA+000Ah	mem 412h
19	Antenna Slot	10	000Bh	IOBA+000Bh	mem 413h
20	CRC32 Correct Count LSB	10	000Ch	IOBA+000Ch	mem 414h
21	CRC32 Correct Count MSB	10	000Dh	IOBA+000Dh	mem 415h
22	CRC8 Correct Count LSB	10	000Eh	IOBA+000Eh	mem 416h
23	CRC8 Correct Count MSB	10	000Fh	IOBA+000Fh	mem 417h
24	Configuration Index	11	0008h	IOBA+0008h	mem 418h
25	Configuration Data Port	11	0009h	IOBA+0009h	mem 419h
26	Antenna Diversity & A/D	11	000Ah	IOBA+000Ah	mem 41Ah
27	SAR	11	000Bh	IOBA+000Bh	mem 41Bh
28	RSSI Lower Limit	11	000Ch	IOBA+000Ch	mem 41Ch
29	USER Pin Data	11	000Dh	IOBA+000Dh	mem 41Dh
30	Dummy Register	11	000Eh	IOBA+000Eh	mem 41Eh
31	TEST Register	11	000Fh	IOBA+000Fh	mem 41Fh

TIR mapping with SIR1 bit 2 (EIOW) set to "1" = Expanded TIR window mode. Note that the setting

EIOW = 1 is only allowed while operating in PCMCIA mode. TIR uses 32 I/O addresses:

TIR Register Number	TIR Register Name	SIR1[1:0] (TAI Bank Select)	PCMCIA I/O Address	80188 Core Address in Memory
0	Network Control	XX*	0008h	mem 400h
1	Network Status	XX	0009h	mem 401h
2	Serial Device	XX	000Ah	mem 402h
3	Fast Serial Port Control	XX	000Bh	mem 403h
4	Interrupt Register 1	XX	000Ch	mem 404h
5	Interrupt Register 2	XX	000Dh	mem 405h
6	Interrupt Mask 1	XX	000Eh	mem 406h
7	Interrupt Mask 2	XX	000Fh	mem 407h
8	Transmit Control	XX	0010h	mem 408h
9	Transmit Status	XX	0011h	mem 409h
10	TX FIFO Data	XX	0012h	mem 40Ah
11	Transmit Sequence Control	XX	0013h	mem 40Bh
12	Byte Counter LSB	XX	0014h	mem 40Ch
13	Byte Counter MSB	XX	0015h	mem 40Dh
14	Byte Counter Limit LSB	XX	0016h	mem 40Eh
15	Byte Counter Limit MSB	XX	0017h	mem 40Fh
16	Receiver Control	XX	0018h	mem 410h
17	Receiver Status	XX	0019h	mem 411h
18	RX FIFO Data	XX	001Ah	mem 412h
19	Antenna Slot	XX	001Bh	mem 413h
20	CRC32 Correct Count LSB	XX	001Ch	mem 414h
21	CRC32 Correct Count MSB	XX	001Dh	mem 415h
22	CRC8 Correct Count LSB	XX	001Eh	mem 416h
23	CRC8 Correct Count MSB	XX	001Fh	mem 417h
24	Configuration Index	XX	0020h	mem 418h
25	Configuration Data Port	XX	0021h	mem 419h
26	Antenna Diversity & A/D	XX	0022h	mem 41Ah
27	SAR	XX	0023h	mem 41Bh
28	RSSI Lower Limit	XX	0024h	mem 41Ch
29	USER Pin Data	XX	0025h	mem 41Dh
30	Dummy Register	XX	0026h	mem 41Eh
31	TEST Register	XX	0027h	mem 41Fh

*XX = Don't care.

TIR0: Network Control

General control for the transceiver device attached to the transceiver interface pins.

Bit	Name	Reset Value	Description
7	LNK	pin	Link LED. The inverse of the LNK bit value is driven onto the $\overline{\text{LNK}}$ pin when the $\overline{\text{LNK}}$ pin has been enabled for output. The value read from LNK will always represent the inversion of the current value of the $\overline{\text{LNK}}$ pin. The control of the function of the $\overline{\text{LNK}}$ pin is described in the <i>Multi-Function Pin</i> section.
6	ACT	pin	Activity LED. The inverse of the ACT bit value is driven onto the $\overline{\text{ACT}}$ pin when the $\overline{\text{ACT}}$ pin has been enabled for output. The value read from ACT will always represent the inversion of the current value of the $\overline{\text{ACT}}$ pin. The control of the function of the $\overline{\text{ACT}}$ pin is described in the <i>Multi-Function Pin</i> section.
5	SRES	0	TAI reset. Active high. Asserting this bit will reset the TAI portion of the Am79C930 device, except for this register (i.e., TIR0).
4	SSTRB	0	Software Strobe. This bit is intended for software development use. The value written to this bit will be sent to the test output when the device is programmed for test mode.
3	Reserved	–	Reserved. Must be written as a 0. Reads of these bits produce undefined data.
2	RXP	0	RX Power control. The inverse of the RXP bit value is driven onto the $\overline{\text{RXPE}}$ pin when the $\overline{\text{RXPE}}$ pin has been enabled for output. The value read from RXP will always represent the inverted logical sense of the current value of the $\overline{\text{RXPE}}$ pin. The control of the function of the $\overline{\text{RXPE}}$ pin is described in the <i>Multi-Function Pin</i> section.
1	LFPE	0	Low Frequency Power control. The inverse of the LFPE bit value is driven onto the $\overline{\text{LFPE}}$ pin when the $\overline{\text{LFPE}}$ pin has been enabled for output. The value read from LFPE will always represent the inverted logical sense of the current value of the $\overline{\text{LFPE}}$ pin. The control of the function of the $\overline{\text{LFPE}}$ pin is described in the <i>Multi-Function Pin</i> section.
0	HFPE	0	High Frequency Power control. The inverse of the HFPE bit value is driven onto the $\overline{\text{HFPE}}$ pin when the $\overline{\text{HFPE}}$ pin has been enabled for output. The value read from HFPE will always represent the inverted logical sense of the current value of the $\overline{\text{HFPE}}$ pin. The control of the function of the $\overline{\text{HFPE}}$ pin is described in the <i>Multi-Function Pin</i> section.

TIR1: Network Status

The TAI Network status register is a general network status register.

Bit	Name	Reset Value	Description
7	TSTO	0	Test Output. This bit is the result of the test multiplexer.
6–3	Reserved	–	Reserved. Must be written as a 0. Reads of these bits produce undefined data.
2	IRQ	0	Interrupt Request. This bit represents the current value of the IRQ output pin. When IRQ has the value 1, then an interrupt request is active.

1	RXDRQ	0	Receive FIFO DMA Request. This bit represents the current value of the RXDRQ signal to the DRQ0 input of the 80188 embedded core.
0	TXDRQ	1	Transmit FIFO DMA Request. This bit represents the current value of the TXDRQ signal to the DRQ1 input of the 80188 embedded core.

TIR2: Serial Device

TAI Serial Device register. This register is used to control the serial device interface.

Bit	Name	Reset Value	Description
7	Reserved	–	Reserved. Must be written as a 0. Reads of this bit produce undefined data.
6–4	SDS[3:1]	000b	Serial Device Select. Each of these bits controls one of the Serial Device Select outputs of the Am79C930. Bit values are inverted as they appear at the pins. As an example, writing a 1 to the SDS[3] bit will cause the SDSEL3 output to be driven to a 0. The value read from SDS[x] will always represent the current value of the SDSEL[x] pin without inversion. The control of the function of the SDSEL[x] pins are found in the <i>Multi-Function Pin</i> section.
3	SDCP	0	Serial Device Clock Auto pulse generation. When set to a 1, this bit causes the SDCLK pin to become active for the duration of the WR# signal at the 80188 interface of the TAI whenever the internal Am79C930 TAI chip select has been activated and the memory bus address present is 00010b, with higher order bits of MA as DON'T CARE (i.e., a WRITE to TIR2 is occurring). The value of the SDCLK pin during this strobe period depends upon the setting of the SDC bit. The SDC bit gives the “inactive” state of the SDCLK pin. If SDCP is set to 1, then the SDCLK pin is complemented from its inactive state while either the 80188 WR# signal is active with the TAI chip select also active. When SDCP is set to 0, then the SDC bit has direct control of the SDCLK pin. The value of the SDC bit must not be changed when the SDCP bit is set to a 1. To change the value of SDC, first set SDCP to a 0. The complete control of the function of the SDCLK pin is described in the <i>Multi-Function Pin</i> section.
2	SDC	0	Serial Device Clock. The SDC bit value is driven onto the SDCLK pin when the SDCLK pin has been enabled for output. The value of the SDC bit must not be changed when the SDCP bit is set to a 1. To change the value of SDC, first set SDCP to a 0. The value read from SDC will always represent the current value of the SDCLK pin. The control of the function of the SDCLK pin is described in the <i>Multi-Function Pin</i> section.
1	SDDT	0	Serial Device Data Tristate. When SDDT is set to 1, the SDDATA pin of the Am79C930 device is tri-stated. When SDDT is set to 0, the SDDATA pin is driven with the value of the SDD bit. The complete control of the function of the SDDATA pin is described in the <i>Multi-Function Pin</i> section.
0	SDD	0	Serial Device Data. The SDD bit value is driven onto the SDDATA pin when the SDDATA pin has been enabled for output.

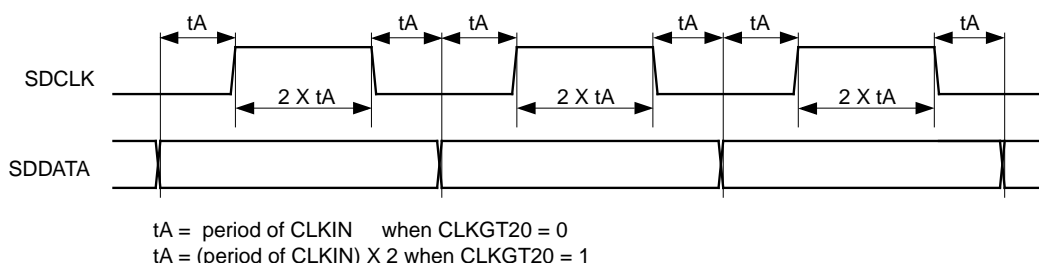
The value read from SDD will always represent the current value of the SDDATA pin. The complete control of the function of the SDDATA pin is described in the *Multi-Function Pin* section.

When the fast serial port (TIR3) is used, then the value written to SDD will be exclusive OR'd (XOR) with the data from the FSD bits of TIR3 before the FSD bits are sent to the SDDATA pin.

TIR3: Fast Serial Port Control

This register provides a relatively quick write access to the Serial Port signals of the device (i.e., SDCLK and SDDATA). The $\overline{\text{SDSEL3-1}}$ signals must be previously set with an access to the Serial Port control register (TIR2). The SDDT bit of TIR2 must be set to 0 or the fast write will fail. A write to the TIR3 register will initiate the fast serial transfer. A read from this register will not

cause any activity at the serial port pins. The clock for the serial port write operation will be created from the CLKIN signal when the CLKGT20 bit of MIR9 is set to 0 and from the CLKIN signal divided by two when the CLKGT20 bit of MIR9 is set to 1. Timing for the fast read operation is as follows:



20138B-8

Figure 3. Serial Port Fast Read Timing

Bit	Name	Reset Value	Description
7:5	BCNT[2:0]	–	Byte Count. From 1 to 5 bits of the FSD[4:0] data may be sent during one fast access to the serial port. The value of BCNT[2:0] determines exactly how many bits will be sent for any access. The value BCNT[2:0] = 1 represents a value of one bit to be sent.
4:0	FSD[4:0]	–	Fast Serial Data[4:0] This is the data that is sent out during the Fast Serial port access. Bit 0 is sent first. FSD bit values are exclusive OR'd (XOR) with the value written to the SDD bit of TIR2[0] before being sent to the SDDATA pin.

TIR4: Interrupt Register 1

The TAI Interrupt Register 1 provides interrupt status information. Any interrupt bit may be cleared by writing a 1 to the bit location. Writing a 0 to a bit location has no effect on the bit value. When the unmask bit for any

interrupt is set to 0, then the bit in the Interrupt register may still become set, but no interrupt to the 80188 embedded controller will occur.

Bit	Name	Reset Value	Description
7	CHBSYC	0	CHBSY Change of state. Indicates that there is a change of state in the CCA indication.
6	ANTSW	0	Antenna Switch. This bit will become set at the end of each time slot as programmed in the Antenna Diversity Timer Register (TCR4) to indicate that the channel tests for this antenna selection have been completed. This bit is reset to 0 when the RXRES bit of TIR16 is set to 1, or if a 1 is written to ANTSW.

5	MOREINT	1	MORE Interrupts. MOREINT will become set whenever there are interrupt bits set in Interrupt Register 3 (TCR11). Note that MOREINT bit does not reflect the state of interrupt status bits from Interrupt Register 2 (TIR5). There is an unmask bit for MOREINT, and there are also individual unmask bits for the interrupts in Interrupt Register 3 (TCR11).
4	TXCNT	0	TX Count reached. TXCNT becomes set to a 1 when the TX Byte count limit of TIR14 and TIR15 has been reached as indicated by the TIR12 and TIR13 counter. Note that reaching the byte count limit will not cause TX operations to automatically cease. TX data transmission ceases only when the TX FIFO has become empty.
3	TXDONE	0	TXDONE. Indicates that the CRC has been sent for the current TX frame. If the option for NO TX CRC has been selected, then TXDONE will be set to a 1 when the last data bit for the frame has been sent.
2	CRCS	0	CRC Start. CRCS will be set to a 1 by the Am79C930 device when the first bit of the CRC is being transmitted. If the NO TX CRC option has been set, then CRCS will not become set.
1	SDSNT	0	Start of Frame Delimiter Sent during a TX operation.
0	TXFBN	1	TX FIFO Byte Needed. Indicates that the TX FIFO is not full.

TIR5: Interrupt Register

The TAI Interrupt Register 2 provides interrupt status information. Any interrupt bit may be cleared by writing a 1 to the bit location. Writing a 0 to a bit location has no effect on the bit value. When the unmask bit for any

interrupt is set to 0, then the bit in the Interrupt register may still become set, but no interrupt to the 80188 embedded controller will occur.

Bit	Name	Reset Value	Description
7	RXCNT	0	RX Count reached. RXCNT becomes set to a 1 when the RX Byte count limit of TIR14 and TIR15 has been reached as indicated by the TIR12 and TIR13 counter. Note that reaching the byte count limit will not cause RX operations to automatically cease. RX data reception ceases only when the RX FIFO is reset by the 80188 controller.
6	CRC8G	0	CRC8 Good. The CRC8 machine has detected a good CRC and has latched the byte count that was active at the time that the CRC was good.
5	CRC32G	0	CRC32 Good. The CRC32 machine has detected a good CRC and has latched the byte count that was active at the time that the CRC was good.
4	RXFOR	0	RX FIFO Overrun. The RX FIFO encountered an overrun condition.
3	RXFBA	0	RX FIFO Byte Available. The RX FIFO has at least one byte of data available for removal. The status register for the RX FIFO indicates the exact number of bytes in the RX FIFO.
2	SDF	1	Start Delimiter Found. The SDF has been found, indicating that the receive state machine will now begin placing received bytes into the RX FIFO.
1	BCF	0	Busy Channel Found. BCF is set to 1 by the Am79C930 device when a busy channel has been found by the CCA logic. That is, whenever CHBSY=1, which implies that the channel is busy.
0	ALOKI	0	Antenna Lock Interrupt. ALOKI becomes set when the antenna selection logic has chosen an antenna based upon the programmed antenna selection criteria.

(Generated from the internal signal stop_d, which indicates that antenna diversity operation has selected an antenna.) Assertion of ALOKI indicates the cessation of antenna diversity activity so that the incoming network signal can be tracked and decoded by the DPLL. ALOKI will be set to a 1 by the Am79C930 device when the conditions for stopping the antenna diversity switching as set up in the Baud Detect Circuit Control Registers, TCR17, TCR18, TCR20, TCR21, TCR22, and TCR23, and the RSSI Limit Register TIR28, and the CCA, and Antenna Diversity Control Register TCR28, have been met.

TIR6: Interrupt Unmask Register 1

Interrupt Unmask Register 1. Each bit in this register will unmask the corresponding interrupt of Interrupt Register 1 (TIR4) when the unmask bit is set to 1. When the

unmask bit for any interrupt is set to 0, then the bit in the Interrupt register may still become set, but no interrupt to the 80188 embedded controller will occur.

Bit	Name	Reset Value	Description
7	CHBSYCU	0	CHBSY Change Interrupt Unmask.
6	ANTSWU	0	Antenna Switch Interrupt Unmask.
5	MOREINTU	0	MOREINT Interrupt Unmask.
4	TXCNTUN	0	TX Byte Count Interrupt Unmask.
3	TXDONE	0	TXDONE Interrupt Unmask.
2	CRCSU	0	CRC Start Interrupt Unmask.
1	SDSNTU	0	Start of Frame Delimiter Sent Interrupt Unmask.
0	TXFBNU	0	TX FIFO Byte Needed Interrupt Unmask.

TIR7: Interrupt Unmask Register 2

Interrupt Unmask Register 2.

Each bit in this register will unmask the corresponding interrupt of Interrupt Register 2 (TIR5) when the unmask

bit is set to 1. When the unmask bit for any interrupt is set to 0, then the bit in the Interrupt register may still become set, but no interrupt to the 80188 embedded controller will occur.

Bit	Name	Reset Value	Description
7	RXCNTU	0	RX Byte Count Interrupt Unmask.
6	CRC8GU	0	CRC8 Good Interrupt Unmask.
5	CRC32GU	0	CRC32 Good Interrupt Unmask.
4	RXFORU	0	RX FIFO Overrun Interrupt Unmask.
3	RXFBAU	0	RX FIFO Byte Available Interrupt Unmask.
2	SDFU	0	Start Delimiter Found Interrupt Unmask.
1	BCFU	0	Busy Channel Found Interrupt Unmask.
0	ALOKIU	0	Antenna Lock Interrupt Found Interrupt Unmask.

TIR8: Transmit Control

This register is the Transmitter Control register.

Bit	Name	Reset Value	Description										
7	TXRES	0	Transmit Reset. When this bit is set to 1, the internal Transmit Reset signal is asserted. When this bit is set to 0, the internal Transmit Reset signal is deasserted. The transmit FIFO is NOT reset by TXRES.										
6	TXFR	0	Transmit FIFO Reset. When this bit is set to 1, the internal Transmit FIFO Reset signal is asserted. When this bit is set to 0, the internal Transmit FIFO Reset signal is deasserted.										
5	DMA_SEL	0	DMA Select. When this bit is set to 1, the TXFIFO Not_Full signal is routed to both of the 80188 DMA channels. When this bit is set to 0, the TXFIFO Not_Full signal is routed to only DMA channel 1 of the 80188.										
4	EN_TX_CRC	0	Enable CRC-based Transmission. When this bit is set to 1, the initiation of a transmission will commence when the logical AND of the TXS bit (TIR8, bit 0) and the CRC32_GOOD output of the CRC32 block becomes TRUE. Typically, the EN_TX_CRC bit and the TXS bit are set together during a reception, such that if the reception concludes with a correct CRC32 indication, then the transmit state machine will automatically be started. When this bit is set to 0, initiation of transmission will commence solely on the basis of the setting of the TXS bit (TIR8, bit 0).										
3	RATE_SW	–	Rate Switch. When this bit is set to 1, the rate of data transmission will automatically change immediately following the transmission of the last bit of the PFL th byte that follows the last bit of the Start of Frame Delimiter, where PFL is defined in TCR3, bits [3:0]. Since the PFL field of TCR3 is typically used to demark the PHY HEADER from the MAC data (and hence, it is used to determine the starting point for MAC CRC32 calculation), the rate switch will typically occur on the PHY/MAC boundary. The rate of transmission will change from DR to DR XOR 0x1, where DR is the Data Rate field as defined in TCR30, bits [2:0]. When this bit is set to 0, no rate switch will occur. RX operations are unaffected by this bit. For rate switching on the RX side, an external decode to RX clock and TX data is typically performed.										
2–1	TCRC[1:0]	00b	Transmit CRC type. These two bits are used to determine the nature of the CRC field that is appended to the current frame. These bits must be stable throughout any given transmission. The following interpretations have been assigned to these bits: <table border="1" data-bbox="722 1465 1295 1648"> <thead> <tr> <th>TCRC[1:0]</th> <th>Transmitted CRC</th> </tr> </thead> <tbody> <tr> <td>00</td> <td>No CRC is appended</td> </tr> <tr> <td>01</td> <td>CRC8 is appended</td> </tr> <tr> <td>10</td> <td>CRC32 is appended</td> </tr> <tr> <td>11</td> <td>No CRC is appended</td> </tr> </tbody> </table>	TCRC[1:0]	Transmitted CRC	00	No CRC is appended	01	CRC8 is appended	10	CRC32 is appended	11	No CRC is appended
TCRC[1:0]	Transmitted CRC												
00	No CRC is appended												
01	CRC8 is appended												
10	CRC32 is appended												
11	No CRC is appended												
0	TXS	0	Transmit Start. When this bit is set to 1, then the transmit state machine begins operation. The transmit state machine is edge-sensitive; that is, this bit must be reset to 0 and set again to 1 before a subsequent transmission will begin. The transmit busy bit will be set in the transmit status register (TIR9) to indicate the state of transmit. Resetting this bit to 0 during transmission will not cause the current transmission to be aborted. Transmission abort is performed with the TXRES bit.										

TIR9: Transmit Status

Transmit Status register. Indicates the current status of the Transmit portion of the TAI. Writes to these bits have no effect.

Bit	Name	Reset Value	Description
7	TXCRC	0	Transmit CRC. TXCRC becomes set when the CRC is being appended to the end of the transmit frame. TXCRC is reset when the transmission of the last bit of the CRC is completed.
6	TXSDD	0	Transmit Start Delimiter. TXSDD becomes set after the Start of Frame Delimiter has been sent. This signal is deasserted when the RESET pin is asserted or the CORESET bit is set to 1 (SIR0), when the TXRES bit is set to 1 (TIR8), or when RXRES bit is set to 1 (TIR16), or when the RXS bit is set to 1 (TIR16), or the SRES bit is set to 1 (TIR0). If a CRC is appended to the frame, then TXSDD will be reset after the last bit of the CRC is appended to the frame.
5	Reserved	–	Reserved. Must be written as a 0. Reads of this bit produce undefined data.
4–1	TXFC[3:0]	8h	Transmit FIFO Count. TXFC indicates the current count of the number of <i>spaces</i> available in the TX FIFO. The TX FIFO holds 8 bytes. A TXFC value of “8h” indicates an empty TX FIFO, i.e., 8 spaces are available. A TXFC value of “0h” indicates a full TX FIFO, i.e., 0 spaces are available.
0	TXBSY	0	TX Busy. This bit is set to 1 by the Am79C930 device when the transmit operation begins and remains set until the transmission has completed. Specifically, the TXBSY bit will be active whenever the internal $\overline{O_TX}$ signal is active as indicated in the TX timing diagram found in the Am79C930-based <i>TX Power Ramp Control</i> section. When the TXC pin is configured as an input, then the TXBSY signal will remain active until both the byte-wide TX FIFO and the 16-bit serial FIFO have emptied. A write to this bit has no effect.

TIR10: TX FIFO Data Register

This register is the TX FIFO Data Register. This register allows direct access to the TX FIFO in the TAI. When written, the TX FIFO write pointer is automatically

incremented. When read, the TX FIFO read pointer is automatically incremented.

Bit	Name	Reset Value	Description
7:0	TXF[7:0]	–	Transmit FIFO data port. When written, data is placed into the system side of the transmit FIFO. When read, data is removed from the network side of the transmit FIFO. Reads of this register should be for diagnostic purposes only and will not be necessary during normal operation. TX FIFO write and read pointers are automatically incremented when writes and reads occur, respectively.

TIR11: Transmit Sequence Control

This register is the Transmit Sequence Control. The bits in this register determine the function of the transmit sequence signals.

Bit	Name	Reset Value	Description
7	RXCD	pin	<p>RXC/IRQ10 pin Data. The value that is written to this bit will be driven out to the RXC pin when the RXCEN bit of TCR15 has been set to a 1 and the RXCFN bit of TCR28 has been set to a 0.</p> <p>The value that is read from RXCD represents the current value of the RXC/IRQ10 pin. The control of the function of the RXC/IRQ10 pin is described in the Multi-Function Pin section.</p>
6	USER6D	pin	<p>USER6/IRQ5 pin Data. The value that is written to USER6D may be driven out to the USER6/IRQ5 pin, depending upon the values of the USER6EN bit (TCR15[3]), the USER6FN bit (TCR7[6]), the ISA PnP registers 70h and 71h, and the operating mode of the Am79C930 device.</p> <p>The value read from USER6D will always represent the current value of the USER6/IRQ5 pin. The control of the function of the USER6/IRQ5 pin is described in the <i>Multi-Function Pin</i> section.</p>
5	USER5D	pin	<p>USER5/IRQ4 pin Data. The value that is written to USER5D may be driven out to the USER5/IRQ4 pin, depending upon the values of the USER5EN bit (TCR15[2]), the USER5FN bit (TCR7[5]), the ISA PnP registers 70h and 71h, and the operating mode of the Am79C930 device.</p> <p>The value read from USER5D will always represent the current value of the USER5/IRQ4 pin. The control of the function of the USER5/IRQ4 pin is described in the <i>Multi-Function Pin</i> section.</p>
4	LLOCKE	pin	<p>LLOCKE pin data value. The value that is written to LLOCKE may be driven out to the LLOCKE/SA15 pin, depending upon the values of the LLOCKEN bit (TCR14[6]), and the operating mode of the Am79C930 device (i.e., PCMCIA or ISA).</p> <p>The value read from LLOCKE will always represent the current value of the LLOCKE/SA15 pin. The control of the function of the LLOCKE/SA15 pin is described in the <i>Multi-Function Pin</i> section.</p>
3	RCEN	0	<p>Register Control Enable. Used to control the functional timing of the $\overline{\text{TXCMD}}$, $\overline{\text{TXMOD}}$ and $\overline{\text{TXPE}}$ pin values as defined in the <i>Multi-Function Pin</i> section. See the <i>Multi-Function Pin</i> section description for each of these pins for more details.</p>
2	TXMOD	0	<p>$\overline{\text{TXMOD}}$ pin control. Used to control the functional timing of the $\overline{\text{TXCMD}}$, pin value as defined in the Multi-Function Pin section. See the <i>Multi-Function Pin</i> section description for more details.</p>
1	TXPE	0	<p>$\overline{\text{TXPE}}$ pin control. The TXPE bit affects the value of the $\overline{\text{TXPE}}$ pin as described in the <i>Multi-Function Pin</i> section.</p>
0	TXCMD	0	<p>TXCMD and $\overline{\text{TXCMD}}$ pin control. The TXCMD bit affects the value of the the TXCMD and $\overline{\text{TXCMD}}$ pins as described in the <i>Multi-Function Pin</i> section.</p>

TIR12: Byte Count Register LSB

This register is the Byte count register LSB. This register contains the lower 8 bits of the 12-bit byte count for receive and transmit messages. This is a working register; access by software is not needed for normal operation.

Bit	Name	Reset Value	Description
7:0	BC[7:0]	00h	Byte Count. Lower eight bits of current byte count for both transmit and receive operations. During transmit operations, the byte count reflects the number of bytes that have been transmitted following the transmission of the Start of Frame Delimiter. CRC is not included in this count for TX. During receive operations, the byte count reflects the number of bytes that have been written into the RX FIFO. This total excludes Preamble and Start Of Frame Delimiter bytes, but includes any PHY field and CRC bytes. Write accesses to this register from the software will cause unexpected results.

TIR13: Byte Count Register MSB

This register is the Byte count register MSB. This register contains the upper 4 bits of the 12-bit byte count for receive and transmit messages. This is a working register; access by software is not needed for normal operation.

Bit	Name	Reset Value	Description
7-4	Reserved	–	Reserved. Must be written as a 0. Reads of this bit produce undefined data.
3-0	BC[11:8]	0h	Byte Count. Upper 4 bits of current byte count for both transmit and receive operations. During transmit operations, the byte count reflects the number of bytes that have been transmitted following the transmission of the Start of Frame Delimiter. CRC is not included in this count for TX. During receive operations, the byte count reflects the number of bytes that have been written into the RX FIFO. This total excludes Preamble and Start Of Frame Delimiter bytes, but includes any PHY field and CRC bytes. Write accesses to this register from the software will cause unexpected results.

TIR14: Byte Count Limit LSB

This register is the Byte Count Limit LSB register.

Bit	Name	Reset Value	Description
7-0	BCLT[7:0]	00h	Byte Count Limit. Lower eight bits of byte count limit for both transmit and receive operations, depending upon which operation is currently occurring. During transmit operations, when the byte count limit is reached, an interrupt to the 80188 controller will be generated if the TXBCNT interrupt has been unmasked. During TX, the byte counter counts all bytes beginning with the first byte after the SFD field has been detected and does not count the CRC bytes appended to the TX frame. During RX, when the byte count limit is reached, an interrupt to the 80188 controller will be generated if the RXBCNT interrupt has been unmasked. During RX, the byte counter counts all bytes that follow the Start of Frame Delimiter. Byte count limit has no effect on state machine or FIFO operations.

TIR15: Byte Count Limit MSB

This register is the Byte Count Limit MSB register.

Bit	Name	Reset Value	Description
7–4	Reserved	–	Reserved. Must be written as a 0. Reads of this bit produce undefined data.
3–0	BCLT[11:8]	0h	Byte Count Limit. Upper 4 bits of byte count limit for both transmit and receive operations, depending upon which operation is currently occurring. During transmit operations, when the byte count limit is reached, an interrupt to the 80188 controller will be generated if the TXBCNT interrupt has been unmasked. During TX, the byte counter counts all bytes beginning with the first byte after the SFD field has been detected and does not count the CRC bytes appended to the TX frame. During RX, when the byte count limit is reached, an interrupt to the 80188 controller will be generated if the RXBCNT interrupt has been unmasked. During RX, the byte counter counts all bytes that follow the Start of Frame delimiter. Byte count limit has no effect on state machine or FIFO operations.

TIR16: Receiver Control

This register is the Receiver Control register. This register allows basic control of the receive function.

Bit	Name	Reset Value	Description
7	RXRES	0	Receive Reset. When this bit is set to 1, the internal Receive Reset signal is asserted. When this bit is set to 0, the internal Receive Reset signal is deasserted. The Receive FIFO is not reset by RXRES.
6	RXFR	0	Receive FIFO Reset. When this bit is set to 1, the internal Receive FIFO Reset signal is asserted. When this bit is set to 0, the internal Receive FIFO Reset signal is deasserted.
5–1	Reserved	–	Reserved. Must be written as a 0. Reads of this bit produce undefined data.
0	RXS	0	Receive Start. When this bit is set to 1, then the receive state machine begins operation. DRQ indications based upon RX FIFO status are independent of the value of this bit. The receive state machine is edge-sensitive, that is, this bit must be reset to 0 and set again to 1 before a subsequent reception will begin. The receive busy bit will be set in the Receive Status register (TIR17) to indicate the state of reception. Resetting this bit to 0 during a reception will not cause the current reception to be aborted. Receive abort is performed with the RXRES bit.

TIR17: Receive Status Register

This register is the RX Status register. Indicates the current status of the Receive portion of the TAI.

Bit	Name	Reset Value	Description
7	CRC32	0	CRC32 Good. The CRC32 machine has detected a good CRC and has latched the byte count that was active at the time that the CRC was good.
6	CRC8	0	CRC8 Good. The CRC8 machine has detected a good CRC and has latched the byte count that was active at the time that the CRC was good.

5	RXFOR	0	Receive FIFO Overrun. This bit is set whenever the RX FIFO experiences an overrun. This bit is cleared by resetting the RX FIFO.
4–1	RXFC[3:0]	0	Receive FIFO Count. These bits indicate the current count of the number of bytes contained in the RX FIFO. The RX FIFO holds 15 bytes. An RXFC value of “0h” indicates an empty RX FIFO. An RXFC value of “Fh” indicates a full RX FIFO.
0	RXBSY	0	RX Busy. This bit is set to 1 by the Am79C930 device when the RXS bit of TIR16 is set to a one, and remains set until the RXRES bit of TIR16 is set to a one, or until any other global reset is activated (e.g., RESET pin of Am79C930 asserted or the CORESET bit of SIR0 is set).

TIR18: RX FIFO Data Register

This register is the RX FIFO Data register. This register allows direct access to the RX FIFO in the TAI. When read, the RX FIFO read pointer is automatically incremented. When written, the RX FIFO write pointer is automatically incremented.

Bit	Name	Reset Value	Description
7:0	RXF[7:0]	–	Receive FIFO data port. When read, data is removed from the system side of the receive FIFO. When written, data is placed into the network side of the receive FIFO. Writes to this register should be for diagnostic purposes only and will not be necessary during normal operation. RX FIFO write and read pointers are automatically incremented when writes and reads occur, respectively.

TIR19: Reserved

This register is reserved.

Bit	Name	Reset Value	Description
7–0	Reserved	–	Reserved. Must be written as a 0. Reads of these bits produce undefined data.

TIR20: CRC32 Correct Byte Count LSB

This register is the CRC32 Correct Byte Count LSB register.

Bit	Name	Reset Value	Description
7–0	C32C[7:0]	–	CRC32 Correct Count. The value in this register indicates the lower 8 bits of the 12-bit byte position when the CRC32 value was last correct. CRC32 value 001h corresponds to the first byte of the received message following the Start of Frame Delimiter. If the value in this register (and TIR21) does not match the length value indicated in the frame header (plus overhead for PHY and MAC headers and CRC) for frames that employ 32-bit CRC values, then the frame should be rejected by the MAC firmware. Note that all bytes beginning with the first byte following the Start of Frame Delimiter and including the CRC bytes are included in the CRC32 Correct Count value, but the bytes that are included in the CRC32 calculation are dependent upon the setting of the PFL bits of TCR3.

TIR21: CRC32 Correct Byte Count MSB

This register is the CRC32 Correct Byte Count MSB register.

Bit	Name	Reset Value	Description
7–4	Reserved	–	Reserved. Must be written as a 0. Reads of this bit produce undefined data.
3–0	C32C[11:8]	–	CRC32 Correct Count. The value in this register indicates the upper 4 bits of the 12-bit byte position when the CRC32 value was last correct. CRC32 value 001h corresponds to the first byte of the received message following the Start of Frame Delimiter. If the value in this register (and TIR20) does not match the length value indicated in the frame header (plus overhead for PHY and MAC headers and CRC) for frames that employ 32-bit CRC values, then the frame should be rejected by the MAC firmware. Note that all bytes beginning with the first byte following the Start of Frame Delimiter and including the CRC bytes are included in the CRC32 Correct Count value, but the bytes that are included in the CRC32 calculation are dependent upon the setting of the PFL bits of TCR3.

TIR22: CRC8 Correct Byte Count LSB

This register is the CRC8 Correct Byte Count LSB register.

Bit	Name	Reset Value	Description
7–0	C32C[7:0]	–	CRC8 Correct Count. The value in this register indicates the lower 8 bits of the 12-bit byte position when the CRC8 value was last correct. CRC8 value 001h corresponds to the first byte of the received message following the Start of Frame Delimiter. If the value in this register (and TIR22) does not match the length value indicated in the frame header (plus overhead for PHY and MAC headers and CRC) for frames that employ 8-bit CRC values, then the frame should be rejected by the MAC firmware. Note that all bytes beginning with the first byte following the Start of Frame Delimiter and including the CRC bytes are included in the CRC8 Correct Count value, but the bytes that are included in the CRC8 calculation are dependent upon the setting of the PFL bits of TCR3.

TIR23: CRC8 Correct Byte Count MSB

This register is the CRC8 Correct Byte Count MSB register.

Bit	Name	Reset Value	Description
7–4	Reserved	–	Reserved. Must be written as a 0. Reads of this bit produce undefined data.
3–0	C8C[11:8]	–	CRC8 Correct Count. The value in this register indicates the upper 4 of the 12-bit byte position when the CRC8 value was last correct. CRC8 value 001h corresponds to the first byte of the received message following the Start of Frame Delimiter. If the value in this register (and TIR22) does not match the length value indicated in the frame header (plus overhead for PHY and MAC headers and CRC) for frames that employ 8-bit CRC values, then the frame should be rejected by the MAC firmware. Note that all bytes beginning with the first byte following the Start of Frame Delimiter and including the CRC bytes are included in the CRC8 Correct Count value, but the bytes that are included in the CRC8 calculation are dependent upon the setting of the PFL bits of TCR3.

TIR24: TCR Index Register

This register is the TCR Index register. This register is used as an address into indirect TAI register space. The value in the TCR Index Register is used as an address

that points at one of 64 registers that are accessed through the TCR Data Port.

Bit	Name	Reset Value	Description
7:6	Reserved	–	Reserved. Must be written as a 0. Reads of this bit produce undefined data.
5:0	TCRI[5:0]	00h	TCR Index value. The value in the TCR Index Register is used as an address that points at one of 64 registers that are accessed through the TCR Data Port.

TIR25: Configuration Data Port

This register is the Configuration Data Port register. This register is used as the data port allowing access to 64 indirectly accessed registers. The register that is

accessed through the Configuration Data Port is determined by the current setting of the Configuration Index Register.

Bit	Name	Reset Value	Description
7–0	CD[7:0]	–	Configuration Register Data. This register is used as the data port allowing access to 64 indirectly accessed registers. The register that is accessed through the Configuration Data Port is determined by the current setting of the Configuration Index Register.

TIR26: Antenna Diversity and A/D Control

This register is the Antenna Diversity and A/D Control register.

Bit	Name	Reset Value	Description
7	CHBSY	0	Channel Busy. The Am79C930 device will set this bit to a 1 when the clear channel assessment logic determines that a carrier is present. The Am79C930 device will set this bit to a 0 when the clear channel assessment logic determines that a carrier is not present. Writes by firmware will have no effect on this bit.
6	ANTLOK	0	Antenna Selection Locked. The Am79C930 device will set ANTLOK to a 1 when it has determined that criteria for antenna selection have been passed. The Am79C930 device will set ANTLOK to a 0 when the RXS bit of TIR16 is set 1.
5	ANTSLT	0	Antenna Selection. This bit gives the current value of the ANTSLT pin, whether determined by register bit programming or internal antenna selection logic. This bit is read only.
4	ANTS	0	Antenna Switch. If ANTSEN is set to 1, then the software may directly control the value of the ANTSLT and $\overline{\text{ANTS}}\text{LT}$ pins with this bit. If ANTSEN is set to 0, then writes to this bit will have no effect on the value of the ANTSLT and $\overline{\text{ANTS}}\text{LT}$ pins. <i>Note: Antenna diversity is disabled with the ANTSEN bit (bit 3 of TIR26).</i>
3	ANTSEN	0	Antenna Switch Enable. ANTSEN and ANTSLT $\overline{\text{LFN}}$ (TCR30[7]) are combined with the PCMCIA pin setting to determine the functionality of the ANTSLT and $\overline{\text{ANTS}}\text{LT}$ pins. The complete control of the function of the ANTSLT and $\overline{\text{ANTS}}\text{LT}$ pins are described in the <i>Multi-Function Pin</i> section.

2 ADDA 0 A/D D/A mode. ADDA is used with ENEXT (TCR25[6]), ENSAR (TCR25[5]), and UXA2DST (TCR25[7]) to determine the mode of operation of the A/D portion of the Am79C930 device according to the following table:

ADDA TIR26[2]	ENEXT TCR25[6]	ENSAR TCR25[5]	UXA2DST TCR25[7]	A/D mode
0	0	0	0	internal_A
0	0	0	1	reserved
0	0	1	0	internal_B
0	0	1	1	internal_C
0	1	0	X	external
0	1	1	X	reserved
1	X	0	X	reserved
1	X	1	X	D/A mode

For a complete description of the operation of each of the above modes, see the RSSI A/D subsection of the TAI section.

1 SRCS 0 A/D Source Select. When SRCS is set to 0, then ADIN1 is the input to the A/D converter for internal A/D modes. When SRCS is set to 1, then ADIN2 is the input to the A/D converter for internal A/D modes. SRCS has no effect when external or D/A mode has been selected.

0 STRTC 0 Start Conversion. Whenever a 1 is written to STRTC (i.e., even if the bit value is already 1), the A/D begins the conversion process on the current comparator input, unless a conversion cycle is currently under way. STRTC is *intended for use* only at times when the A/D conversion process is not controlled by the antenna diversity logic. That is, whenever RXS=0, writing a 1 to STRTC will; however, initiate a conversion cycle regardless of the state of the RXS bit of TIR16.

TIR27: Serial Approximation Register

This register is the SAR register. Contains the A/D converter's Serial Approximation Register value. A read from this register will give the current value of the SAR in the A/D circuit.

Bit	Name	Reset Value	Description
7	CACT	0	Conversion Active. When an A/D conversion is being performed, the Am79C930 device will set this bit to a 1. When the conversion operation has completed, the Am79C930 device will reset this bit to a 0.
6-0	SAR[6:0]	pin	Serial Approximation Register. Contains the A/D converter's Serial Approximation Register value. A read from this register will give the current value of the SAR in the A/D circuit. When CACT is a 1, then this value is not stable. A write to this register will cause the written value to be driven onto the SAR[6:0] pins if the ADDA bit of TIR26 is set to 1. If the ADDA bit of TIR26 is set to 0, then a write to SAR[6:0] bits of TIR27 will have no effect on the internal A/D conversion process or on the SAR[6:0] output pins.

TIR28: RSSI Lower Limit

This register is the RSSI Lower Limit register. The value in this register is compared against converted RSSI input values. When the converted RSSI value is equal to

or exceeds the value in this register, then an indication will be sent to the clear channel assessment logic.

Bit	Name	Reset Value	Description
7	RSALT	0	RSSI Equal or Above Limit. When the converted RSSI input value equals or exceeds the value in the RSSI lower limit register, then the Am79C930 device will set this bit to a 1. When the converted RSSI input value is less than the value in the RSSI lower limit register, then the Am79C930 device will set this bit to a 0.
6–0	RLLT[6:0]	00h	RSSI Lower Limit. The value in this register is compared against converted RSSI input values. When the converted RSSI value equals or exceeds the value in this register, then an indication will be sent to the clear channel assessment logic.

TIR29: USER Pin Data

This register is the USER Pin Data register. This register allows access to the USER[4:0] pins.

Bit	Name	Reset Value	Description
7	USER7DL	pin	USER7 pin Data. The value that is written to this bit will be inverted and then driven out to the USER7 pin of the Am79C930 device when the system interface mode is PCMCIA and the USER7EN bit of TCR14 is set to ONE. In all other cases, the value of USER7DL will have no effect on the value of the USER7 pin. The value that is read from this bit represents the inverted value of the USER7 pin of the Am79C930 device at any time in any mode. The complete control of the function of the USER7/IRQ11 pin is described in the <i>Multi-Function Pin</i> section.
6	Reserved	–	Reserved. Must be written as a 0. Reads of this bit produce undefined data.
5	Reserved	–	Reserved. Must be written as a 0. Reads of this bit produce undefined data.
4–0	USERDT[4:0]	pin	USER Pin Data[4:0]. The value that is written to any bit of this register will be driven out to the corresponding USER pin of the Am79C930 device when the corresponding USEREN bit of TCR14 has been set to a 1 and the PCMCIA pin is set to 1. The value that is read from any bit of this register represents the current value of the corresponding USER pin of the Am79C930 device regardless of USEREN bit or PCMCIA pin settings. The complete control of the function of each of the USER pins is described in the <i>Multi-Function Pin</i> section.

TIR30: Test Dummy Register

This register is the TEST dummy register.

Bit	Name	Reset Value	Description
7–0	Reserved	–	Reserved. Must be written as a 0. Reads of this bit produce undefined data.

TIR31: TEST

The TAI TEST register is a reserved location.

Bit	Name	Reset Value	Description
7	Reserved	0	These bit must be set to 0. Do not write to this register.
6–0	TC[6:0]	00h	Test Command. The bits in this register are decoded to generate a test mode for the TAI.

TAI Configuration Register Space (TCR)

The Transceiver Attachment Interface (TAI) Unit contains a total of 64 registers. Thirty-two of the registers are directly accessible from the 80188 embedded core and from the system interface through the BIU. The other 32 registers are indirectly accessed by first writing an INDEX value into the Configuration Register Index

(TIR24) and then executing a read or write operation to the Configuration Data Port (TIR25). Since the indirectly accessible registers are used mostly for TAI configuration purposes, this set of registers is labeled TAI Configuration Registers (TCR). The following section describes the indirectly accessible Configuration Registers of the TAI, or TCR.

TCR0: Network Configuration

This register is the Network Configuration register.

CONFIGURATION REGISTER INDEX: 00h

Bit	Name	Reset Value	Description
7–5	DRB[2:0]	0h	Dribbling Bits. The value of DRB sets the amount of time that dribbling bits will be generated following the end of CRC during frame transmission. Power will be removed from the transmitter following the end of the dribbling bit period. With respect to external transmit timing signals, the value of DRB will determine the amount of time that passes from the sending of the last valid TX CRC bit until the deassertion of the $\overline{\text{TXP_ON}}$ signal. Dribbling bit resolution is equal to 40 times the CLKIN period when the CLKGT20 bit of MIR9 is set to 0 and is equal to 80 times the CLKIN period when the CLKGT20 bit of MIR9 is set to 1. For a 1 Mbs data rate with CLKIN = 20 MHz and CLKGT20 = 0, the resolution is 2 μ .
4–2	HDB[2:0]	0h	Header Bits. The value of HDB sets the amount of time that header bits will be generated before the first bit of preamble is sent to the transmitter during frame transmission. The count begins at the time that power is applied to the transmitter. With respect to external transmit timing signals, the value of HDB will determine the amount of time that passes from the assertion of the $\overline{\text{TXP_ON}}$ and signal to the delivery of the first valid TX data bit to the TXDATA pin. Header bit resolution is equal to 40 times the CLKIN period when the CLKGT20 bit of MIR9 is set to 0 and is equal to 80 times the CLKIN period when the CLKGT20 bit of MIR9 is set to 1. For a 1 Mbs data rate with CLKIN = 20MHz and CLKGT20 = 0, the resolution is 2 μ .
1–0	SD[1:0]	0h	Start Delimiter. The value in this register determines the number of bytes of preamble that will be verified before the start of frame detect indication is asserted during frame reception and transmission. The following interpretations have been assigned to these bits.

SD[1:0]	Start of Frame Detect Operation	Programmed Register
00	Start of Frame Detect Off	None
01	Search for 8 bit Start of Frame Delimiter	TCR10
10	Search for 16 bit Start of Frame Delimiter	TCR9, TCR10
11	Search for 24 bit Start of Frame Delimiter	TCR8, TCR9 TCR10

TCR1: Transmit Configuration

This register is the Transmit Configuration register.

CONFIGURATION REGISTER INDEX: 01h

Bit	Name	Reset Value	Description
7	TXENDCB	0	Transmit Enable DC Bias Control. When TXENDCB is set to a 1, then the DC Bias Control algorithm is enabled. When TXENDCB is reset to a 0, then the DC Bias Control algorithm is disabled.
6–5	Reserved	0	Reserved. These bits may be written with any value. The value written to these bits will be returned when read. The value of these bits will not affect device function.
4	TXDI	0	Transmit Data Invert. When set to a 1, the outgoing transmit serial data stream is inverted. When set to a 0, the outgoing transmit serial data stream is not inverted.
3–2	TXDLC	0	Transmit Data Pin Control. These bits are used to control the state of the TXDL pin when no transmit activity is present. The following interpretations have been assigned to these bits:

TXDLC[1:0]	$\overline{\text{TXDATA}}$ Pin Default state
00	last bit transmitted
01	high impedance
10	low
11	high

1–0	TXDC	01b	Transmit Data Pin Control. These bits are used to control the state of the TXDL pin when no transmit activity is present. The following interpretations have been assigned to these bits:
-----	------	-----	---

TXDC[1:0]	TXDATA pin default state
00	last bit transmitted
01	low
10	low
11	high

TCR2: Clock Recovery

This register is the Clock Recovery Configuration register.

Bit	Name	Reset Value	Description
CONFIGURATION REGISTER INDEX:			02h
7	WNS2	0	Bit Stuffing Start. When WNS2 is set to a 1, then the bit stuffing operation on RX and TX frames will begin after the PHY header field has passed. When WNS2 is set to a 0, then the bit stuffing function on RX and TX frames will begin operation immediately following Start of Frame Delimiter detection. Note that bit stuffing may be disabled with control bits in TCR1 (TX) and TCR3 (RX).
6	CLKRS	0	Clock Recovery Select. This bit selects between the two clock recovery circuits.
5	ECLK	0	External Receive Clock Select. When this bit is set to 1, then the device will expect a receive clock on the RXCIN pin. When this bit is set to a 0, then the internal clock recovery circuit selected by the CLKRS bit will be used to internally generate a recovered receive clock from the incoming receive data stream.
4:0	CLKP[4:0]	0	Clock Phase. These bits are used to select the phase of the recovered RX clock relative to the RX data edges. Valid values are 0 through 19 decimal, where each bit of resolution represents a shift in the phase of the sample point by one CLKIN period when the CLKGT20 bit of MIR9 is set to 0, and two CLKIN periods when the CLKGT20 bit of MIR9 is set to 1.

TCR3: Receive Configuration

This register is the Receive Configuration register.

CONFIGURATION REGISTER INDEX:			03h
Bit	Name	Reset Value	Description
7	LOOPB	0	Loopback. When set to a 1, a loopback mode is enabled. When set to a 0, normal receive and transmit paths are followed.
6	WNS	0	Endian Mode Select. When set to a 1, this bit selects big endian (MS bit first) as the data format. The setting of this bit only affects the operation of the parallel-to-serial conversion register in the transmit path and the serial-to-parallel conversion register in the receive path. No other areas are affected, i.e., start of frame detection is always performed on the bit stream as it will appear on the medium. When set to 0, little endian mode (LS bit first) is selected.
5	RXENDCB	0	Receive Enable DC Bias Control. When RXENDCB is set to a 1, then the receive machine will automatically remove the DC Bias Control effects from the input data stream. When RXENDCB is reset to a 0, then the receive stream DC Bias removal circuit will be disabled.
4	RXDI	0	Receive Data Invert. When set to a 1, the incoming receive serial data stream is inverted. When set to a 0, the incoming receive serial data stream is not inverted.
3:0	PFL[3:0]	0	Physical layer Field Length [3:0]. These bits are used to determine the number of bytes of PHY header that are allowed to pass before the Am79C930 device begins calculating the CRC8 and CRC32 and DC bias control. The Physical layer Field Length value is used

to delay the start of CRC8 and CRC32 and DC bias control calculation for both receive and transmit frames. The physical header field is assumed to begin after the Start of Frame Delimiter has been detected.

TCR4: Antenna Diversity Timer

This register is the Antenna Diversity Timer register used to control antenna dwell time during antenna diversity measurements.

CONFIGURATION REGISTER INDEX: 04h

Bit	Name	Reset Value	Description
7	ANTEN	0	Antenna Diversity Enable. When set to a 1, the internal antenna diversity logic is used to select the antenna. When set to a 0, software has control over antenna selection through the ANTS bit of TIR26[4] and the ANTSLTLD bit of TCR7[1]. Dwell times for antenna measurements are still used to obtain RSSI data when this bit is set to 0, but final antenna selection will be controlled by software.
6	Reserved	–	Reserved. Must be written as a 0. Reads of this bit produce undefined data.
5–0	ADT[5:0]	00h	Antenna Diversity Timer. Dwell time per antenna in time steps of CLKIN period times 20 when the CLKGT20 bit of MIR9 is set to 0, and time steps of CLKIN period times 40, when the CLKGT20 bit of MIR9 is set to 1. When the value in this register is “00,” then the diversity switching function is disabled.

TCR5: TX Ramp Up Timing

This register is the TX Ramp Up Timing register. This register determines the ramp up timing of the TX enable signals.

CONFIGURATION REGISTER INDEX: 05h

Bit	Name	Reset Value	Description
7:4	TGAP1[3:0]	0h	Transmit Timing Gap 1. These bits are used to determine the gap between the assertion of the $\overline{T1}$ signal and the assertion of the $\overline{T2}$ signal. $\overline{T1}$ and $\overline{T2}$ can be used to control the timing of the \overline{TXCMD} and \overline{TXPE} pins, respectively. The interval is programmable with a resolution equal to 20 times the CLKIN period when the CLKGT20 bit of MIR9 is set to 0 and a resolution equal to 40 times the CLKIN period when the CLKGT20 bit of MIR9 is set to 1. For a 1Mbps data rate with CLKIN = 20MHz and CLKGT20 = 0, the resolution is 1 μ .
3:0	TGAP2[3:0]	0h	Transmit Timing Gap 2. These bits are used to determine the gap between the assertion of the $\overline{T2}$ signal and the assertion of the $\overline{T3}$ signal. The interval is programmable with a resolution equal to 20 times the CLKIN period when the CLKGT20 bit of MIR9 is set to 0 and a resolution equal to 40 times the CLKIN period when the CLKGT20 bit of MIR9 is set to 1. For a 1 Mbps data rate with CLKIN = 20 MHz and CLKGT20 = 0, the resolution is 1 μ .

TCR6: TX Ramp Down Timing

This register is the TX Ramp Down Timing register. This register determines the ramp down timing of the TX enable signals.

CONFIGURATION REGISTER INDEX: 06h

Bit	Name	Reset Value	Description
7:4	TGAP3[3:0]	0h	Transmit Timing Gap 3. These bits are used to determine the gap between the deassertion of the $\overline{T3}$ signal and the deassertion of the $\overline{T2}$ signal. $\overline{T3}$ and $\overline{T2}$ can be used to control the timing of the \overline{TXMOD} and \overline{TXPE} pins. The interval is programmable with a resolution equal to 20 times the CLKIN period when the CLKGT20 bit of MIR9 is set to 0 and a resolution equal to 40 times the CLKIN period when the CLKGT20 bit of MIR9 is set to 1. For a 1 Mbs data rate with CLKIN = 20 MHz and CLKGT20 = 0, the resolution is 1 μ .
3:0	TGAP4[3:0]	0h	Transmit Timing Gap 4. These bits are used to determine the gap between the deassertion of the $\overline{T2}$ signal and the deassertion of the $\overline{T1}$ signal. $\overline{T2}$ and $\overline{T1}$ can be used to control the timing of the \overline{TXPE} and \overline{TXCMD} pins. The interval is programmable with a resolution equal to 20 times the CLKIN period when the CLKGT20 bit of MIR9 is set to 0 and a resolution equal to 40 times the CLKIN period when the CLKGT20 bit of MIR9 is set to 1. For a 1 Mbs data rate with CLKIN = 20 MHz and CLKGT20 = 0, the resolution is 1 μ .

TCR7: Pin Data A

This register is the Pin Data A register. This register is used to deliver and retrieve data from the \overline{ANTSLT} , \overline{TXDATA} and \overline{TXCMD} pins and to configure the function of the USER5 and USER6 pins.

CONFIGURATION REGISTER INDEX: 07h

Bit	Name	Reset Value	Description
7	CTSEN	0	CTS Enable. When CTSEN is set to a 1, then the USER1/IRQ12 pin input value will be used to gate the start of the internal TX state machine. With CTSEN set to a 1, $\overline{T1}$, $\overline{T2}$, etc., signaling will not follow the assertion of the TXS bit of TIR8 until USER1/IRQ12/EXTCTS becomes active (HIGH), and then normal timing for $\overline{T1}$, $\overline{T2}$, etc., will be produced. When CTSEN is set to a 0, then TX state machine operations proceed without delay, following the assertion the TXS bit of TIR8, regardless of the value of USER1/IRQ12/EXTCTS.
6	USER6FN	0	USER6 Function. USER6FN, the PCMCIA mode pin, USER6EN (TCR15[3]), and the ISA Plug and Play registers 70h and 71h are used to determine the function of the USER6/IRQ5 pin. In addition, the USER6/IRQ5 pin may be used to produce interrupts to the 80188 embedded controller. This capability is controlled by the ENXSDF bit of TCR28 and the SDFU bit of TIR5 and operates independently of the bits mentioned above. The control of the function of the USER6/IRQ5 pin is described in the <i>Multi-Function Pin</i> section.
5	USER5FN	0	USER5 Function. USER5FN, the PCMCIA mode pin, USER5EN (TCR15[2]), and ISA PnP registers 70h and 71h are used to determine the function of the USER5/IRQ4 pin.

			In addition, the USER5/IRQ4 pin may be used to produce interrupts to the 80188 embedded controller. This capability is controlled by the ENXCHBSY bit of TCR28 and the CHBSYCU bit of TIR5 and operates independently of the bits mentioned above.
			The control of the function of the USER5/IRQ4 pin is described in the <i>Multi-Function Pin</i> section.
4–3	U1INTCNT	00b	USER1 Interrupt control bits. The USER1/IRQ12 pin can be used to signal an interrupt to the 80188 embedded controller. The U1INTCNT bits have the following interpretation and operate independently of the operating mode of the Am79C930 device (i.e., the U1INTCNT bits operate in both PCMCIA and ISA Plug and Play modes.):

U1INTCNT TCR7[4:3]	USER1 Pin Event	U1INT Bit (TCR11[3]) Result
00	X	0 => interrupt disabled
01	rising edge	1 => interrupt signaled
10	falling edge	1 => interrupt signaled
11	rising or falling edge	1 => interrupt signaled

Note that the USER1 pin function has no effect on the use of the USER1/IRQ12 pin as an interrupt signaling pin. If the USER1/IRQ12 pin is to be used as a 80188 controller interrupt source in the ISA Plug and Play mode, then it is imperative that the ISA Plug and Play resource data structure loaded into the accompanying flash device as part of the Am79C930 device based design should not include IRQ12 as a choice of IRQ level for possible selection by the ISA Plug and Play configuration software. When this procedure is followed, then the system designer can be assured that the IRQ12 function will not be used by the Am79C930 device, and therefore, the USER1/IRQ12 pin will remain in the high-impedance state and will be available for connection to an interrupt generating source in the design.

2	TXCMDT	0	TXCMD Data. The value written to the TXCMDT bit is used in some modes to determine the output value of the TXCMD/LA21 pin. Reads from TXCMDT always return the current value of the TXCMD/LA21 pin. The control of the function of the TXCMD/LA21 pin is described in the <i>Multi-Function Pin</i> section.
1	ANTSLTLD	1	ANTSLTLD Data. The value that is written to this bit will be driven out to the $\overline{\text{ANTSLT}}$ pin of the Am79C930 device when the ANTSLT_LFN bit of TCR30 has been set to a 1 and the ANTSLT_LEN bit of TCR15 has also been set to a 1 and the PCMCIA pin is set to 1. The value that is read from this bit represents the current value of the $\overline{\text{ANTSLT}}$ pin of the Am79C930 device. A complete description of the control of the function of the $\overline{\text{ANTSLT}}$ pin is described in the <i>Multi-Function Pin</i> section.
0	TXDATA LD	1	TXDATA LD Data. The value that is written to this bit will be driven out to the $\overline{\text{TXDATA}}$ pin of the Am79C930 device when the TXDATA_LFN bit of TCR30 has been set to a 1 and the TXDATA_LEN bit of TCR15

has also been set to a 1 and the PCMCIA pin is set to 1. The value that is read from this bit represents the current value of the TXDATA pin of the Am79C930 device.

A complete description of the control of the function of the TXDATA pin is described in the *Multi-Function Pin* section.

TCR8: Start Delimiter LSB

This register is the Start Delimiter LSB register.

CONFIGURATION REGISTER INDEX: 08h

Bit	Name	Reset Value	Description
7-0	SDLT[7:0]	00h	Start of Frame Delimiter. This register contains the LSB of the 24-bit start delimiter field that is used for start of frame recognition during reception and transmission in order to determine the start of MAC CRC calculation. (Note that PFL of TCR3 may also affect start of MAC CRC calculation start.) All, none or part of the 24-bit Start Delimiter may be used for start of frame recognition by appropriate settings of the SD[1:0] bits in the Network Configuration Register (TCR0). <i>Start of Frame detection is performed on the bits in the order that they appear on the medium, with the SDLT LSB, bit 0, being checked against the first bit to arrive at the Am79C930 (RX case) or the first bit to leave the Am79C930 (TX case) and continuing in that order.</i>

TCR9: Start Delimiter CSB

This register is the Start Delimiter CSB register.

CONFIGURATION REGISTER INDEX: 09h

Bit	Name	Reset Value	Description
7-0	SDLT[15:8]	00h	Start of Frame Delimiter. This register contains the Center Significant Byte (CSB) of the 24-bit start delimiter field that is used for start of frame recognition during reception and transmission in order to determine the start of MAC CRC calculation. (Note that PFL of TCR3 may also affect start of MAC CRC calculation start.) All, none or part of the 24-bit Start Delimiter may be used for start of frame recognition by appropriate settings of the SD[1:0] bits in the Network Configuration Register (TCR0). <i>Start of Frame detection is performed on the bits in the order that they appear on the medium, with the SDLT LSB, bit 0, being checked against the first bit to arrive at the Am79C930 (RX case) or the first bit to leave the Am79C930 (TX case) and continuing in that order.</i>

TCR10: Start Delimiter MSB

This register is the Start Delimiter MSB register.

CONFIGURATION REGISTER INDEX: 0Ah

Bit	Name	Reset Value	Description
7-0	SDLT[23:16]	00h	Start of Frame Delimiter. This register contains the MSB of the 24-bit start delimiter field that is used for start of frame recognition during reception and transmission in order to determine the start of MAC CRC calculation. (Note that PFL of TCR3 may also affect start of MAC CRC calculation start.) All, none or part of the 24-bit Start

Delimiter may be used for start of frame recognition by appropriate settings of the SD[1:0] bits in the Network Configuration Register (TCR0). *Start of Frame detection is performed on the bits in the order that they appear on the medium, with the SDLT LSB, bit 0, being checked against the first bit to arrive at the Am79C930 (RX case) or the first bit to leave the Am79C930 (Tx case) and continuing in that order.*

TCR11: Interrupt Register 3

This register is the TAI Interrupt Register 3. Provides interrupt status information. Any interrupt bit may be cleared by writing a 1 to the bit location. Writing a 0 to a bit location has no effect on the bit value. An interrupt in

TCR11 will be signaled in TIR4 through the MOREINT bit when the associated unmask bit has been set in TCR12.

CONFIGURATION REGISTER INDEX: 0Bh

Bit	Name	Reset Value	Description
7:4	Reserved	–	Reserved. Must be written as a 0. Reads of these bits produce undefined data.
3	U1INT	0	USER1 Interrupt. When U1INT is set to 1, it indicates that a change of state has occurred at the USER1/IRQ12 pin. The change of state required to signal an interrupt on the U1INT bit is determined by the settings of the U1INTSC bits of TCR7[4:3]. This function may be disabled with an appropriate setting of the U1INTSC bits. A corresponding unmask bit for this interrupt source exists in TCR12.
2	RUNERR	1	Run Length Error. When RUNERR is set to a 1, it indicates that the total number of 1s during a received message exceeds the total number of 0s at any given time by 25, or that the total number of 0s in the message at any given time exceeds the number of 1s in the message by 27. This function may be disabled with the DISRNR bit of TCR27.
1	ATFO	0	Asynchronous Transmit FIFO Overflow. When ATFO is set to 1, it indicates that the asynchronous transmit FIFO has overflowed.
0	ATFU	0	Asynchronous Transmit FIFO Underflow. When ATFU is set to 1, it indicates that the asynchronous transmit FIFO has underflowed.

TCR12: Interrupt Unmask Register 3

This register is the Interrupt Unmask Register 3. Each bit in this register will unmask the corresponding

interrupt of the Interrupt Register 2 (TIR5) when the unmask bit is set to 1.

CONFIGURATION REGISTER INDEX: 0Ch

Bit	Name	Reset Value	Description
7:4	Reserved	–	Reserved. Must be written as a 0. Reads of these bits produce undefined data.
3	U1INTU	0	USER1 Interrupt Unmask.
2	RUNERRU	0	RUNERR Interrupt Unmask.
1	ATFOU	0	Asynchronous Transmit FIFO Overflow Interrupt Unmask.
0	ATFUU	0	Asynchronous Transmit FIFO Underflow Interrupt Unmask.

TCR13: Pin Configuration A

This register is the Pin Configuration A register. This register is used to set the state of various pins as outputs or as high impedance inputs.

CONFIGURATION REGISTER INDEX: 0Dh

Bit	Name	Reset Value	Description
7	LNKEN	1	Link LED Enable. LNKEN can be used to control the function of the LNK LED output. The control of the function of the LNK pin is described in the <i>Multi-Function Pin</i> section.
6	LFPEEN	1	$\overline{\text{LFPE}}$ Enable. LFPEEN is used to determine the function of the $\overline{\text{LFPE}}$ pin. The control of the function of the $\overline{\text{LFPE}}$ pin is described in the <i>Multi-Function Pin</i> section.
5	HFPEEN	1	$\overline{\text{HFPE}}$ Enable. HFPEEN is used to determine the function of the $\overline{\text{HFPE}}$ pin. The control of the function of the $\overline{\text{HFPE}}$ pin is described in the <i>Multi-Function Pin</i> section.
4	SDCLKEN	1	SDCLK Enable. SDCLKEN is used to determine the function of the SDCLK pin. The control of the function of the SDCLK pin is described in the <i>Multi-Function Pin</i> section.
3	SDS3LEN	1	$\overline{\text{SDSEL3}}$ Enable. SDS3LEN is used to determine the function of the $\overline{\text{SDSEL3}}$ pin. The control of the function of the $\overline{\text{SDSEL3}}$ pin is described in the <i>Multi-Function Pin</i> section.
2	SDS2LEN	1	$\overline{\text{SDSEL2}}$ Enable. SDS2LEN is used to determine the function of the $\overline{\text{SDSEL2}}$ pin. The control of the function of the $\overline{\text{SDSEL2}}$ pin is described in the <i>Multi-Function Pin</i> section.
1	SDS1LEN	1	$\overline{\text{SDSEL1}}$ Enable. SDS1LEN is used to determine the function of the $\overline{\text{SDSEL1}}$ pin. The control of the function of the $\overline{\text{SDSEL1}}$ pin is described in the <i>Multi-Function Pin</i> section.
0	RXPELEN	1	$\overline{\text{RXPE}}$ Enable. RXPELEN is used to determine the function of the $\overline{\text{RXPE}}$ pin. The control of the function of the $\overline{\text{RXPE}}$ pin is described in the <i>Multi-Function Pin</i> section.

TCR14: Pin Configuration B

This register is the Pin Configuration B register. This register is used to set the state of the USER[4:0] pins as outputs or as high impedance inputs.

CONFIGURATION REGISTER INDEX: 0Eh

Bit	Name	Reset Value	Description
7	USER7EN	0	USER7 Enable. USER7EN, the ISA PnP registers 70h and 71h, and the PCMCIA pin setting are used to determine the function of the USER7 pin. The USER7 pin can be programmed to function as either an input or an output. The control of the function of the USER7/IRQ11 pin is described in the <i>Multi-Function Pin</i> section.
6	LLOCKEN	0	LLOCKE Enable. LLOCKEN and the PCMCIA pin are used to determine the direction of the LLOCKE/SA15 pin. When LLOCKEN is set to a 1 and the PCMCIA pin is set to 1, then the LLOCKE/SA15 pin is enabled to drive both high and low output values. LLOCKE output values are determined by the LLOCKE bit of TIR11. When LLOCKEN is reset to a 0, then the LLOCKE pin is forced to a high-impedance state. Reads of the LLOCKE bit of TIR11 will yield the

			value that is present on the LLOCKE pin, regardless of the setting of the PCMCIA pin.
			The control of the function of the LLOCKE/SA15 pin is described in the <i>Multi-Function Pin</i> section.
5	Reserved	–	Reserved. Must be written as a 0. Reads of these bits produce undefined data.
4:0	USEREN[4:0]	00h	<p>USER[4:0] Enable. These five bits are used to determine the direction of the USER[4:0] pins. When any bit of the USEREN register is set to a 1, then the corresponding USER device pin is enabled to drive both high and low output values. USER output values are determined by the individual bit settings of the USERDT register (TIR29). When any bit of the USEREN register is reset to a 0, then the corresponding USER device pin is forced to a high-impedance state. Reads of the USERDT register (TIR29) will yield the value that is present on any particular USER pin.</p> <p>The control of the function of each of the USER pins is described in the <i>Multi-Function Pin</i> section.</p>

TCR15: Pin Configuration C

This register is the Pin Configuration C register. This register is used to set the state of the $\overline{\text{ACT}}$, $\overline{\text{STSCHG}}$,

USER5, USER6, RXC, TXCMD, $\overline{\text{TXDATA}}$, and $\overline{\text{ANTSLT}}$ pins as outputs or as high impedance inputs.

CONFIGURATION REGISTER INDEX: 0Fh

Bit	Name	Reset Value	Description
7	ANTSLTLEN	0	<p>$\overline{\text{ANTSLT}}$ Enable. ANTSLTLEN, the ANTSLTLEN bit of TCR30, the ANTSEN bit of TIR26, and the PCMCIA pin are used to determine the function of the $\overline{\text{ANTSLT}}$/LA23 pin.</p> <p>The control of the function of the $\overline{\text{ANTSLT}}$/LA23 pin is described in the <i>Multi-Function Pin</i> section.</p>
6	TXDLEN	0	<p>$\overline{\text{TXDATA}}$ Enable. TXDLEN, the TXDLFN bit of TCR30, and the PCMCIA pin are used to determine the direction of the $\overline{\text{TXDATA}}$/LA20 pin.</p> <p>The control of the function of the $\overline{\text{TXDATA}}$/LA20 pin is described in the <i>Multi-Function Pin</i> section.</p>
5	TXCMEN	0	<p>TXCMD Enable. TXCMEN, the TXCMFN bit of TCR30, the RCEN bit of TIR11 and the PCMCIA pin are used to determine the direction of the TXCMD/LA21 pin.</p> <p>The control of the function of the TXCMD/LA21 pin is described in the <i>Multi-Function Pin</i> section.</p>
4	RXCEN	0	<p>RXC Enable. RXCEN is used with RXCFN (TCR28[7]), the ISA PnP interrupt level select register, the ISA PnP interrupt type register, and the PCMCIA pin to determine the function of the RXC/IRQ10 pin.</p> <p>The control of the function of the RXC/IRQ10 pin is described in the <i>Multi-Function Pin</i> section.</p>
3	USER6EN	0	<p>USER6 Enable. USER6EN, the USER6FN bit of TCR15, the ISA PnP interrupt level select register, the ISA PnP interrupt type register, and the PCMCIA pin are used to determine the function of the USER6/IRQ5 pin.</p> <p>The control of the function of the USER6/IRQ5 pin is described in the <i>Multi-Function Pin</i> section.</p>

2	USER5EN	0	<p>In addition to these bits, the USER6/IRQ5 pin may be used to produce interrupts to the 80188 embedded controller. This capability is controlled by the ENXSDF bit of TCR28 and the SDFU bit of TIR5 and operates independently of the bits in the table above.</p> <p>USER5 Enable. USER5EN, the USER5FN bit of TCR15, the ISA PnP interrupt level select register, the ISA PnP interrupt type register, and the PCMCIA pin are used to determine the function of the USER5IRQ4 pin.</p> <p>The control of the function of the USER5/IRQ4 pin is described in the <i>Multi-Function Pin</i> section.</p> <p>In addition to these bits, the USER5/IRQ4 pin may be used to produce interrupts to the 80188 embedded controller. This capability is controlled by the ENXCHBSY bit of TCR28 and the CHBSYCU bit of TIR5 and operates independently of the bits in the table above.</p>
1	ACTEN	1	<p>Activity LED Enable. This bit can be used to control the ACT LED output. The control of the function of the ACT pin is described in the <i>Multi-Function Pin</i> section.</p>
0	STSCHGFN	1	<p>$\overline{\text{STSCHG}}$ Function. This bit is used to determine the function of the $\overline{\text{STSCHG}}$ pin. When this bit is set to a 1, then the value of the $\overline{\text{STSCHG}}$ pin is equal to the NAND result of the MIR9 STSCHGD bit value and the PCMCIA CCSR WAKEUP bit value. When this bit is set to a 0, then the value of the STSCHG pin is equal to the inversion of the MIR9 STSCHGD bit value. <i>THIS FUNCTION IS ONLY AVAILABLE IN PCMCIA MODE.</i></p> <p>The complete control of the function of the STSCHG/BALE pin is described in the <i>Multi-Function Pin</i> section.</p>

TCR16: Baud Detect Start

This register is the Baud Detect Start register. This register is used to program the start time for the Baud detection circuit. The start time is compared against the current value of the antenna diversity timer and the baud detect test begins when the compare is TRUE. Note that

the antenna diversity timer is a count down timer with an initial value specified in TCR4. If the automatic antenna diversity logic is disabled, then the antenna diversity timer continues to run and provide a reference point for the start of the Baud Detect Start value.

CONFIGURATION REGISTER INDEX: 10h

Bit	Name	Reset Value	Description
7–6	Reserved	–	Reserved. Must be written as a 0. Reads of this bit produce undefined data.
5–0	BDS[5:0]	00h	Baud Detect Start. The value in this register is used to determine when the baud detection circuit will begin examining incoming RXD data. The baud detection begins when the antenna diversity timer of TCR4 reaches the value specified here as BDS[5:0]. The antenna diversity timer is a count down timer operating at a resolution equal to 20 times the CLKIN period when the CLKGT20 bit of MIR9 is set to 0 and a resolution equal to 40 times the CLKIN period when the CLKGT20 bit of MIR9 is set to 1. For a 1 Mbs data rate with CLKIN = 20 MHz and CLKGT20 = 0, the resolution is 1 μ.

TCR17: Baud Detect Lower Limit

This register is the Baud Detect Lower Limit register (TCR17).

CONFIGURATION REGISTER INDEX: 11h

Bit	Name	Reset Value	Description
7–6	Reserved	–	Reserved. Must be written as a 0. Reads of this bit produce undefined data.
5–0	BDLLT[5:0]	00h	<p>Baud Detect Lower Limit. This register is used to program the lower limit for the Baud detection circuit. The lower limit defines the shortest time between like transitions (i.e., rising edge to rising edge or falling edge to falling edge) that is expected for a given baud rate. If like transitions are separated by values below this limit, then the baud detect test for that pair of like transitions will fail.</p> <p>Note that the rising edge baud counter will begin counting from 0 and when it reaches a value of 29, the next increment will cause the counter to wrap to a value of 10 decimal. The falling edge baud counter operates in an identical manner. Therefore, rising edges that are separated by 20, 40, 60, 80, etc. CLKIN periods (with CLKGT20=0 each baud tick is one CLKIN period, with CLKGT20=1, each baud tick is two CLKIN periods) will all yield a rising edge baud counter value of 20. The same is true for the falling edge baud counter. This information should be used to appropriately program the Baud Detect Lower Limit register.</p> <p>The resolution of the value in this register is the period of the CLKIN signal when the CLKGT20 bit of MIR9 is set to 0 or twice the period of the CLKIN signal when the CLKGT20 bit of MIR9 is set to 1. With CLKIN = 20 MHz and CLKGT20=0, a value of 14h (=20 decimal) represents the <i>nominal</i> pulse width value for 1 Mbit/s network data rate operation.</p>

TCR18: Baud Detect Upper Limit.

This register is the Baud Detect Upper Limit register.

CONFIGURATION REGISTER INDEX: 12h

Bit	Name	Reset Value	Description
7–6	Reserved	–	Reserved. Must be written as a 0. Reads of this bit produce undefined data.
5–0	BDULT[5:0]	00h	<p>Baud Detect Upper Limit. This register is used to program the upper limit for the Baud detection circuit. The upper limit defines the longest time between like transitions (i.e., rising edge to rising edge or falling edge to falling edge) that is expected for a given baud rate. If like transitions are separated by values above this limit, then the baud detect test for that pair of like transitions will fail.</p> <p>Note that the rising edge baud counter will begin counting from 0 and when it reaches a value of 29, the next increment will cause the counter to wrap to a value of 10 decimal. The falling edge baud counter operates in an identical manner. Therefore, rising edges that are separated by 20, 40, 60, 80, etc. CLKIN periods (with CLKGT20=0 each baud tick is one CLKIN period, with CLKGT20=1, each baud tick is two CLKIN periods) will all yield a rising edge baud counter value of 20. The same is true for the falling</p>

edge baud counter. This information should be used to appropriately program the Baud Detect Upper Limit register.

The resolution of the value in this register is the period of the CLKIN signal when the CLKGT20 bit of MIR9 is set to 0 or twice the period of the CLKIN signal when the CLKGT20 bit of MIR9 is set to 1. With CLKIN = 20 MHz and CLKGT20=0, a value of 14h (=20 decimal) represents the *nominal*/like transition separation value for a 1Mbit/s network data rate.

TCR19: Baud Detect Accept Count for Carrier Sense

This register is the Baud Detect Accept Count for Carrier Sense register. When the number of positive baud detect test results in the baud detection circuit reaches the value in this register, then the total number of tests taken

to that point will be considered adequate to make a valid determination of positive carrier sense. The number of positive baud detect test results is reset to 0 each time that the antenna selection is changed.

CONFIGURATION REGISTER INDEX: 13h

Bit	Name	Reset Value	Description
7-6	Reserved	–	Reserved. Must be written as a 0. Reads of this bit produce undefined data.
5-0	BDCS[5:0]	00h	Baud Detect accept count for Carrier Sense. When the number of positive baud detect test results in the baud detection circuit reaches the value in this register, then the total number of tests taken to that point will be considered adequate to make a valid determination of positive carrier sense. The number of positive baud detect test results is reset to 0 each time that the antenna selection is changed.

TCR20: Baud Detect Accept Count for Stop Diversity

This register is the Baud Detect Accept Count for Stop Diversity register. When the number of positive baud detect test results in the baud detection circuit reaches the value in this register, then the total number of tests taken

to that point will be considered adequate to make a valid determination of satisfactory antenna selection. The number of positive baud detect test results is reset to 0 each time that the antenna selection is changed.

CONFIGURATION REGISTER INDEX: 14h

Bit	Name	Reset Value	Description
7-6	Reserved	–	Reserved. Must be written as a 0. Reads of this bit produce undefined data.
5-0	BDSD[5:0]	00h	Baud Detect accept count for Stop Diversity. When the number of positive baud detect test results in the baud detection circuit reaches the value in this register, then the total number of tests taken to that point will be considered adequate to make a valid determination of satisfactory antenna selection. The number of positive baud detect test results is reset to 0 each time that the antenna selection is changed.

TCR21: Baud Detect Ratio

This register is the Baud Detect Ratio register. This register is used to set the ratio of good to bad baud detections which will be used as the minimum ratio to determine that a valid signal is present on the medium.

The value in this register is treated as a radix 2 positive real number with two decimal places. The lowest practical value possible is 0.25 (=00.01) and the highest practical value is 3.75 (=11.11).

CONFIGURATION REGISTER INDEX: 15h

Bit	Name	Reset Value	Description
3–0	BDRN[3:0]	0h	Baud Detect Ratio. These bits are used to set the ratio of good to bad baud detections which will be used as the minimum ratio to determine that a valid signal is present on the medium. The value in this register is treated as a radix 2 positive real number with two decimal places. The lowest practical value possible is 0.25 (=00.01) and the highest practical value is 3.75 (=11.11).

TCR22: Baud Detect Accept Count

This register is the Baud Detect Accept Count register. A read-only register that indicates the current number of good transitions detected by the baud detector.

CONFIGURATION REGISTER INDEX: 16h

Bit	Name	Reset Value	Description
7–6	Reserved	–	Reserved. Must be written as a 0. Reads of this bit produce undefined data.
5–0	ACPT[5:0]	00h	Accept[5:0] The value of these bits indicates the current number of good transitions detected by the baud detector. This is a read-only register.

TCR23: Baud Detect Fail Count

This register is the Baud Detect Fail Count register. A read-only register that indicates the current number of bad transitions detected by the baud detector.

CONFIGURATION REGISTER INDEX: 17h

Bit	Name	Reset Value	Description
7–6	Reserved	–	Reserved. Must be written as a 0. Reads of this bit produce undefined data.
5–0	FAIL[5:0]	00h	Fail[5:0] The value of these bits indicates the current number of bad transitions detected by the baud detector. This is a read-only register.

TCR24: RSSI Sample Start

This register is the RSSI Sample Start register. The value in this register is used to determine when to capture a sample of the RSSI input for A/D conversion during antenna diversity operation. The register value is a

measure of the time of RSSI sample relative to the antenna switching event. A register value of 0 means that no RSSI samples will be taken.

CONFIGURATION REGISTER INDEX: 18h

Bit	Name	Reset Value	Description
7:6	Reserved	–	Reserved. Must be written as a 0. Reads of this bit produce undefined data.
5:0	SS[5:0]	00h	<p>RSSI Sample Start. The value in this register is used to determine when to capture a sample of the RSSI input for A/D conversion during antenna diversity operation. The register value is a measure of the time of RSSI sample relative to the <i>end</i> of the current antenna dwell time (i.e., SS=03h implies that the RSSI sample will be converted at 3 μs before the current antenna dwell time ends).</p> <p>The resolution of the RSSI sample timer is equal to 20 times the CLKIN period when the CLKGT20 bit of MIR9 is set to 0 and is equal to 40 times the CLKIN period when the CLKGT20 bit of MIR9 is set to 1. For a 1 Mbs data rate with CLKIN = 20 MHz and CLKGT20 = 0, the resolution is 1 μ. With CLKIN=20 MHz and CLKGT20 = 0, a value of SS[5:0] = 00100 means that the RSSI sample will be taken 4 μ before the next antenna switch event occurs. A register value of 0 means that no RSSI samples will be taken.</p> <p>The time value represented by the bits in SS[5:0] must be less than the time value of the bits in the ADT[5:0] field of TCR4 minus the time value of the bits of the A2DT[3:0] field of TCR25 minus 9 CLKIN periods (18 CLKIN periods if CLKGT20=1).</p>

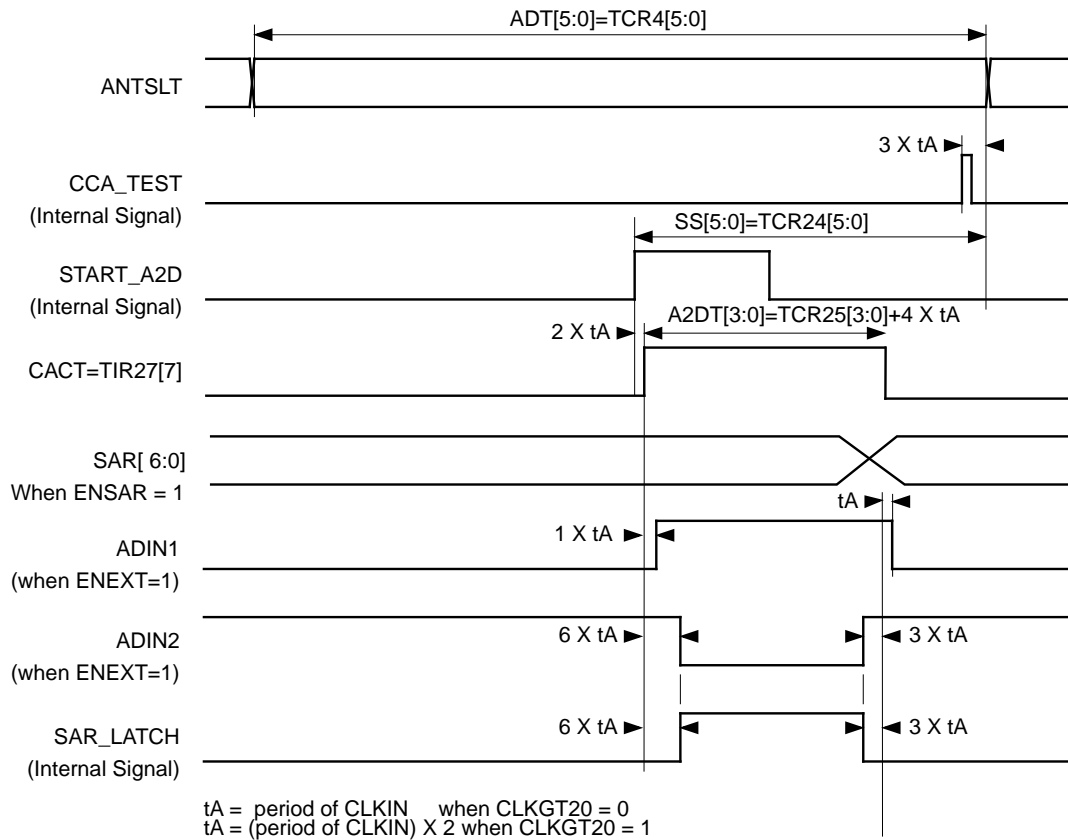
TCR25: RSSI Configuration

This register is the RSSI Configuration register. This register is used to setup some A/D converter parameters.

CONFIGURATION REGISTER INDEX: 19h

Bit	Name	Reset Value	Description
7	UXA2DST	0	<p>Use external A/D conversion Start signal. When UXA2DST is set to 0, then the A/D conversion process starts when the Antenna Dwell timer reaches the value programmed in the SS bits of TCR24.</p> <p>When UXA2DST is set to 1, then an external stimulus from the USER6/IRQ5/EXTA2DST pin is required to begin each A/D conversion cycle. Rising edges of USER6/IRQ5/EXTA2DST initiate new conversion cycles. A/D sample and conversion timing will proceed as programmed in the TCR25 register A2DT field.</p>
6	ENEXT	0	<p>Enable External. Setting ENEXT to a 1 enables the external A/D mode of the Am79C930 device, allowing the Am79C930 device to use the digital values supplied by an external A/D converter in CCA and antenna diversity decisions. ENEXT is used in conjunction with ENSAR (TCR25[5]) and ADDA (TIR26[2]) to configure the Am79C930 device A/D mode according to the table listed in section <i>RSSI A/D Unit</i>.</p>
5	ENSAR	0	<p>Enable SAR. Setting ENSAR to a 1 enables the SAR[6:0] pins to drive as outputs. ENSAR is used in conjunction with ENINT (TCR25[6]) and ADDA (TIR26[2]) to configure the Am79C930 device A/D mode according to the table listed in the RSSI A/D unit description of in section <i>RSSI A/D Unit</i>.</p>
4	Reserved	–	Reserved. Must be written as a 0. Reads of this bit produce undefined data.

3-0	A2DT[3:0]	1010b	<p>A/D sampling Time[3:0]. The value in the A2DT[3:0] field determines the duration of time required to convert the A/D input. Each bit of resolution is equal to 4 times the CLKIN period when the CLKGT20 bit of MIR9 is set to 0 and is equal to 8 times the CLKIN period when the CLKGT20 bit of MIR9 is set to 1. For a 1Mbs data rate with CLKIN = 20 MHz and CLKGT20 = 0, the resolution is 200 n. The A2DT value is used by all A/D modes, including the mode that uses the internal A/D converter. The internal A/D converter requires 600 nsec to convert – note that the default value of this register is 2.0 μs for a CLKIN equal to 20MHz with the CLKGT20 bit set to 0.</p> <p>Note that the actual time for conversion is less than the A2DT programmed value by 1.5 CLKIN periods (with CLKGT20=0, it is 3 CLKIN periods if CLKGT20=1). This fact is important when using an external A/D converter in the external A/D mode.</p> <p>Minimum value in the A2DT[3:0] field must be 0001. A value of 0000 is not allowed.</p>
-----	-----------	-------	--



20138B-9

Note: ADIN1, ADIN2, and SAR_LATCH signals are only valid as shown when ENEXT (TCR25[6]) has been set to a 1.

Figure 3. Analog-to-Digital State Machine Timing

TCR26: Reserved

This register is the TAI reserved location register.

CONFIGURATION REGISTER INDEX: 1Ah

Bit	Name	Reset Value	Description
7-0	Reserved	–	Reserved. Must be written as a 0. Reads of this bit produce undefined data.

TCR27: TIP LED Scramble

This register is the Network Interface Polarity register.

This register is used to set the polarity of some of the transceiver interface output pins.

CONFIGURATION REGISTER INDEX: 1Bh

Bit	Name	Reset Value	Description
7	DISRNR	0	Disable RUNERR. When DISRNR is set to a 1, then the RUNERR bit of TCR11 will always be held at a 0 value. When DISRNR is set to a 0, then the RUNERR bit of TCR11 will function as described in the TCR11 bit description.
6	Reserved	–	Reserved. Must be written as a 0. Reads of these bits produce undefined data.
5	Reserved	0	Reserved. Must be written as a 0. Reads of these bits produce undefined data.
4	LNKDR	0	$\overline{\text{LNK}}$ pin drive. When set to a 0, the drive of the $\overline{\text{LNK}}$ pin will be open drain. When set to a 1, the drive of the $\overline{\text{LNK}}$ pin will be totem pole, i.e., both high and low output values will be driven. Complete control of the function of the $\overline{\text{LNK}}$ pin is described in the <i>Multi-Function Pin</i> section.
3	ACTDR	0	$\overline{\text{ACT}}$ pin drive. When set to a 0, the drive of the $\overline{\text{ACT}}$ pin will be open drain. When set to a 1, the drive of the $\overline{\text{ACT}}$ pin will be totem pole, i.e., both high and low output values will be driven. Complete control of the function of the $\overline{\text{ACT}}$ pin is described in the <i>Multi-Function Pin</i> section.
2	FDETPOL	0	$\overline{\text{FDET}}$ Polarity. When this bit is set to a 0, then the polarity of the $\overline{\text{FDET}}$ output will be low assert, such that when the SFD pattern has been recognized in the incoming receive data stream or the outgoing transmit data stream, the $\overline{\text{FDET}}$ pin will be driven to a LOW logic level. When this bit is set to a 1, then the polarity of the $\overline{\text{FDET}}$ output will be high assert, such that when the SFD pattern has been recognized in the incoming receive data stream or the outgoing transmit data stream, the $\overline{\text{FDET}}$ pin will be driven to a HIGH logic level.
1	TXPEPOL	0	$\overline{\text{TXPE}}$ Polarity. When this bit is set to a 0, then the polarity of the $\overline{\text{TXPE}}$ output will be low assert, such that when the TGAP1 counter expires, the $\overline{\text{TXPE}}$ pin will be driven to a LOW logic level. When this bit is set to a 1, then the polarity of the $\overline{\text{TXPE}}$ output will be high assert, such that when the TGAP1 counter expires, the $\overline{\text{TXPE}}$ pin will be driven to a HIGH logic level.
0	TXMODPOL	0	$\overline{\text{TXMOD}}$ Polarity. When this bit is set to a 0, then the polarity of the $\overline{\text{TXMOD}}$ output will be low assert, such that when the TGAP2 counter expires, the $\overline{\text{TXMOD}}$ pin will be driven to a LOW logic level. When this bit is set to a 1, then the polarity of the $\overline{\text{TXMOD}}$ output will

be high assert, such that when the TGAP2 counter expires, the TXMOD pin will be driven to a HIGH logic level.

TCR28: Clear Channel Assessment Configuration

This register is the Clear Channel Assessment Configuration register. The bits in this register are used

to determine which features will be used to determine clear channel assessment.

CONFIGURATION REGISTER INDEX: 1Ch

Bit	Name	Reset Value	Description
7	RXCFN	0	<p>RXC Function. When RXCFN is set to a 1, then the RXC pin will be driven with the internal RXC clock value, regardless of its source. That is, the RXC source may be either the result of the DPLL locking operation, or it may directly reflect the value of the RXCIN pin, depending upon the selection of the ECLK bit of TCR2.</p> <p>Complete control of the function of the RXC/IRQ10 pin is described in the Multi-Function Pin section.</p>
6	ENXSDF	0	<p>Enable External Start Delimiter Found. When ENXSDF is set to a 1, then the internal SDF result is not used. Instead, the value of the USER6/IRQ5 pin is used as the source for SDF indication. When ENXSDF is set to 1, then changes to the value of the USER6/IRQ5 pin are used to determine the status of the SDF interrupt of TIR5 (bit 2). When ENXSDF is set to 0, then the source for SDF indication is the internal SDF determination logic. The current drive and function settings for the USER6/IRQ5 pin have no effect on the use of the value of this pin for the SDF function.</p>
5	ENXCHBSY	0	<p>Enable External CHBSY. When ENXCHBSY is set to a 1, then the internal CCA result is not used. Instead, the value of the USER5/IRQ4 pin is used as the source for CCA information. When ENXCHBSY is set to 1, the value of the USER5/IRQ4 pin is used to set the value of the CHBSY bit of TIR26 (bit 7), and changes to the value of the USER5/IRQ4 pin are used to determine the status of the CHBSYC interrupt of TIR4 (bit 7) and the BCF interrupt bit of TIR5.</p> <p>When ENXCHBSY is set to a 1, then antenna diversity switching is disabled and the receive function of the Am79C930 device must be enabled by a positive indication of SDF on the USER6/IRQ5 input pin.</p> <p>When ENXCHBSY is set to 0, then the source for CCA indication is the internal CCA determination logic. The current drive and function settings for the USER6/IRQ5 pin have no effect on the use of the value of this pin for the SDF function.</p>
4	RUPD	0	<p>Receive Use Preamble Detect. When RUPD is set to a 1, then the stop diversity decision is used to enable the receive state machine. That is, when the decision is made to stop switching antenna selections, then the receive state machine will enable the receive data path to the RX FIFO. When RUPD is reset to a 0, then the receive data path to the RX FIFO is enabled when SFD is detected.</p>
3	STPEN	0	<p>Stop Antenna Diversity Enable. Setting this bit to a 1 allows the clear channel assessment logic to stop the antenna diversity operation.</p>
2	UBDSD	0	<p>Use Baud Detect of Stop Diversity in Antenna Diversity decision. When this bit is set to a 1, the Baud Detect Count for Stop Diversity becomes one input to the stop diversity decision logic. When this bit</p>

			is set to a 0, the Baud Detect Count for Stop Diversity is not used in the stop diversity decision logic.
1	UBDCS	0	Use Baud Detect of Carrier Sense in CCA decision. When this bit is set to a 1, the Baud Detect Count for Carrier Sense becomes one input to the clear channel assessment logic. When this bit is set to a 0, the Baud Detect Count for Carrier Sense is not used in the clear channel assessment decision.
0	URSSI	0	Use RSSI in CCA and Stop Diversity decisions. When this bit is set to a 1, the RSSI converted value comparison to the RSSI lower limit becomes one input to the clear channel assessment logic and also becomes one input to the Stop Diversity decision logic. When this bit is set to a 0, the RSSI converted value comparison to the RSSI lower limit is not used in the clear channel assessment logic and is also not used in the Stop Diversity decision logic.

TCR29: Reserved

This register is a TAI reserved location.

CONFIGURATION REGISTER INDEX: 1Dh

Bit	Name	Reset Value	Description
7–0	Reserved	–	Reserved. Must be written as a 0. Reads of this bit produce undefined data.

TCR30: Pin Function and Data Rate

This register is the Pin Function and Data Rate control register. This register contains bits that control the function of the $\overline{\text{ANTSLT}}$, $\overline{\text{TXDATA}}$, TXCMD , and TXC pins as well as control bits to set the network data rate.

CONFIGURATION REGISTER INDEX: 1Eh

Bit	Name	Reset Value	Description
7	ANTSLTLFN	0	$\overline{\text{ANTSLT}}$ Function. ANTSLTLFN, ANSLTLEN (TCR15[7]), ANTSEN (TIR26[3]), and the PCMCIA pin are used to determine the direction and data of the $\overline{\text{ANTSLT}}$ pin. The control of the function of the $\overline{\text{ANTSLT}}$ /LA23 pin is described in the <i>Multi-Function Pin</i> section.
6	TXDLFN	0	$\overline{\text{TXDATA}}$ Function. TXDLFN, TXDLEN (TCR15[6]), and the PCMCIA pin are used to determine the direction and data of the $\overline{\text{TXDATA}}$ pin. The control of the function of the $\overline{\text{TXDATA}}$ /LA23 pin is described in the <i>Multi-Function Pin</i> section.
5	TXCMFN	0	TXCMD Function. TXCMFN, TXCMEN (TCR15[5]), RCEN (TIR11[3]), and the PCMCIA pin are used to determine the function of the TXCMD pin.
4	USER7FN	–	Reserved. Must be written as 0. Reads of this produce undefined data. The control of the function of the TXCMD/LA21 pin is described in the <i>Multi-Function Pin</i> section.
3	TXCIN	1	TXC Input. When set to a 0, the TXC pin functions as an output, providing a divide by X version of the CLKIN input, where X is determined by the setting of the DR bits of TCR30. When set to a 1, the TXC pin functions as an input, allowing the data rate of the transmit operations to be set by an external source. When TXCIN is set to 1,

then a 16-bit deep serial FIFO is inserted into the TX data path. This FIFO allows for some mismatch to be tolerated in the clock rates between the Am79C930 internal transmit clock and the external TXC clock that is connected to the TXC input. Because of this internal FIFO, the appearance of transmit data from the setting of the TXS bit in TIR8 will be delayed by 8 bit times whenever the TXCIN bit has the value of 1.

The control of the function of the TXC pin is described in the *Multi-Function Pin* section.

2:0 DR[2:0] 001b

Data Rate. The value in this register determines the data rate for the network. The TXC output pin will be affected. The following interpretations have been assigned to these bits:

DR[2:0] TCR30[2:0]	CLKGT20 MIR9[7]	Network Data Rate
000	0	reserved
001	0	$f_{CLKIN} \div 20$
010	0	$f_{CLKIN} \div 40$
011	0	$f_{CLKIN} \div 80$
100	0	reserved
101	0	$f_{CLKIN} \div 200$
110	0	$f_{CLKIN} \div 2000$
111	0	reserved
000	1	$f_{CLKIN} \div 20$
001	1	$f_{CLKIN} \div 40$
010	1	$f_{CLKIN} \div 80$
011	1	$f_{CLKIN} \div 160$
100	1	reserved
101	1	$f_{CLKIN} \div 400$
110	1	$f_{CLKIN} \div 4000$
111	1	reserved

The Data Rate bits are used together with the CLKGT20 bit to control clock divider circuits in the DPLL section of the TAI and in the Transmit State machine section of the TAI. Specifically, the DPLL clock source will always be set at a rate of 20 times the desired Network Data rate in order to provide the appropriate amount of oversampling to insure proper DPLL tracking of the incoming signal. The Transmit State machine section of the TAI logic will receive a divided clock that is equal to the desired Network Data Rate.

Note that if the CLKIN frequency is greater than 20 MHz, then the CLKGT20 bit must be set to 1.

TCR31: Device Revision

This register is the Device Revision register.

CONFIGURATION REGISTER INDEX: 1Fh

Bit	Name	Reset Value	Description
7-0	REV[7:0]	01h	Revision Number. The value in this field contains the revision number for the current device. The lowest revision number is 01h.

PCMCIA CCR Registers and PCMCIA CIS Space

Two bytes of attribute memory space have been used by the Am79C930 device for storage of two card configuration registers. These two registers are found at attribute memory locations 800h and 802h. The Configuration Option Register is located at Attribute memory location 800h and the Card Configuration and Status Register is located at Attribute memory location 802h.

Because the location of these registers is fixed at 800h and 802 in attribute memory space, then the value of the CCR Offset located in the TPCC_RADR field of the Configuration Tuple *must* be equal to 800h.

PCMCIA Configuration Option Register

This register is used to configure the Am79C930 device and to issue a soft reset to the Am79C930 device.

The PCMCIA Configuration Option Register is located at the fixed attribute memory location 0802h. Therefore, the information programmed into the CIS must give the value 2K (=0800h) as the Card Configuration Registers Base Address in the TPCC_RADR field of the Configuration Tuple. The Configuration Option Register is located at TPCC_RADR + 2.

The following tables indicate the bits that are supported in the Configuration Option Registers:

Bit	Name	Reset Value	Description
7	SRESET	0	Resets Am79C930 device. Setting this bit to 1 places the Am79C930 device into the reset state, which is equivalent to the assertion of the PCMCIA RESET signal. This bit does not reset itself back to 0.
6	LevelReq	0	Level Mode Interrupts when LevelReq = 1. Pulse Mode Interrupts when LevelReq = 0.
5:0	Conf Index	0	Configuration Index. This field is written with the index number of the entry in the card's Configuration Table which the system chooses for this card. When Conf Index = "00000," then the Am79C930 device is in memory only mode. When any of these five bits is set to 1, then the I/O interface is enabled, meaning that I/O transfers are allowed.

PCMCIA Card Configuration and Status Register

This register contains information about the card's condition.

The PCMCIA Card Configuration and Status Register is located at the fixed attribute memory location 0802h.

Therefore, the information programmed into the CIS must give the value 2K (=0800h) as the Card Configuration Registers Base Address in the TPCC_RADR field of the Configuration Tuple. The Card Configuration and Status Register is located at TPCC_RADR + 2.

Bit	Name	Reset Value	Description
7:6	Reserved	–	Read only as a 0.
5	IOIS8	0	This bit is written by the host to indicate that the host is only capable of 8-bit I/O accesses. This bit is ignored by the Am79C930 device, since the Am79C930 device is only capable of 8-bit I/O accesses.
4	Wakeup	0	WAKEUP is used with the STSCHGFN bit of TCR15 to determine the function of the $\overline{\text{STSCHG}}$ pin. When the STSCHGFN bit of TCR15 is set to 1, then the WAKEUP bit is NANDed with the value of the STSCHGD bit of MIR8 and the result is driven onto the $\overline{\text{STSCHG}}$ pin. When the STSCHGFN bit of TCR15 is set to 0, then the STSCHG pin becomes an output that is controlled by the STSCHGD bit of MIR8.
3	Read-back	0	Read/Write bit – serves no other function.
2	Power Down	0	Requests the 80188 to enter power down mode. If already in power down mode, this bit will indicate 1. When written with a 1, value read will remain 0 until the device actually enters the power down mode.

			When written with a 1, the PWRDWN bit generates an interrupt to the 80188, requesting that the 80188 core place the Am79C930 device into the power down state. The interrupt is signaled in MIO0, bit 5. If written with a 0 while in power down mode, power down mode is exited. When written with a 1, value read will remain 0 until the device actually enters the power down mode.
1	Interrupt	–	Represents the internal interrupt level. This signal remains true until the interrupt has been serviced (not pulse generated).
0	Reserved	–	Read only as a 0.

PCMCIA Card Information Structure (CIS)

The PCMCIA CIS space has been allocated to reside in the flash memory space of a design based on the Am79C930 device. This space corresponds to 1K–16 bytes of the uppermost 1K of flash memory. Since only even addressed bytes of attribute memory space are defined to exist in the PCMCIA specification, only even addresses of the 2K–32 CIS range will map into the flash memory, and hence, the 2K–32 address range for the Am79C930 CIS space is mapped to only 1K–16 bytes of flash space.

Note that the address range is limited to 2K–32 rather than a complete 2K of space. This is because the uppermost 16 bytes of the flash memory must be reserved for the initial instructions for the 80188 core, since the 80188 core will automatically access these locations for its initial instruction fetch following a Am79C930 device reset operation.

ABSOLUTE MAXIMUM RATINGS

Storage Temperature: -65 to +150°C
 Ambient Temperature Under Bias: . . . -65 to +125°C
 Supply Voltage to AV_{SS}
 or DV_{SS} (AV_{DD}, DV_{DD}): -0.3 to +6 V

Stresses above those listed under Absolute Maximum Ratings may cause permanent device failure. Functionality at or above these limits is not implied. Exposure to Absolute Maximum Ratings for extended periods may affect device reliability.

OPERATING RANGES

Commercial (C) Devices

Temperature (T_A) 0°C to +70°C

Supply Voltages

(AV_{DD}, V_{CC}, V_{DDT}, V_{DDU1}, V_{DDU2}, V_{DDM}, V_{DDP}, V_{DD5})
 +5 V ± 5%

All inputs within the range: AV_{SS} - 0.5 V ≤ V_{IN} ≤ AV_{DD} + 0.5 V, or DV_{SS} - 0.5 V ≤ V_{IN} ≤ DV_{DD} + 0.5 V

Operating ranges define those limits between which the functionality of the device is guaranteed.

DC CHARACTERISTICS

5.0 V Am79C930 DC Characteristics

Parameter Symbol	Parameter Description	Test Conditions	Min	Max	Units
V _{IL}	Input LOW Voltage			0.8	V
V _{IH}	Input HIGH Voltage		2.0		V
V _{OL}	Output LOW Voltage	I _{OL1} = 4 mA I _{OL2} = 12 mA I _{OL3} = 24 mA (Note 1, 5)		0.45 0.45 0.45	V
V _{OH}	Output HIGH Voltage (Note 2)	I _{OH} = -.4 mA (Note 5)	2.8		V
V _{OLC}	Output LOW Voltage for CMOS only load	I _{OL} = 0.2 mA		0.1 X V _{DD}	V
V _{OHc}	Output HIGH Voltage for CMOS only load	I _{OH} = -0.2 mA	0.9 X V _{DD}	V	
I _{IX}	Input Leakage Current (Note 3)	V _{DD} = 5 V, V _{IN} = 0 V	-10	10	μA
V _{ILX}	XTAL1 Input LOW Voltage Threshold	V _{IN} = External Clock	-0.5	0.8	V
V _{IHX}	XTAL1 Input HIGH Voltage Threshold	V _{IN} = External Clock	3.5	V _{DD} + 0.5	V
I _{ILX}	XTAL1 Input LOW Current	V _{IN} = External Clock (Active) V _{IN} = V _{SS} (Power Down)	-10	-100 +10	μA μA
I _{IHX}	XTAL1 Input HIGH Current	V _{IN} = External Clock (Active) V _{IN} = V _{DD} (Power Down)		100 400	μA μA
I _{OZL}	Output Leakage Current (Note 4)	V _{OUT} = 0.4 V	-10		μA
I _{OZH}	Output Leakage Current (Note 4)	V _{OUT} = V _{DD}		10	μA
I _{DDF}	Power Supply Current	CLKIN = 40 MHz, PMX1 = 32.768 kHz		150	mA
I _{DDS}	Power Supply Current	CLKIN = 20 MHz, PMX1 = 32.768 kHz		85	mA
I _{DDPD1}	Power Supply Current	Power Down mode CLKIN = internally cutoff, PMX1 = 32.768 kHz, no host interface accesses occurring V _{IN} ≤ V _{IL} or V _{IN} ≥ V _{IH}		45	mA

DC CHARACTERISTICS (continued)

5.0 V Am79C930 DC Characteristics

Parameter Symbol	Parameter Description	Test Conditions	Min	Max	Units
I _{DDPD2}	Power Supply Current	Power Down mode CLKIN = internally cutoff, PMX1 = 32.768 kHz, no host interface accesses occurring $V_{IN} \leq V_{OL}$ or $V_{IN} \geq V_{OH}$		40	mA
I _{DDPD3}	Power Supply Current	Power Down mode CLKIN = internally cutoff, PMX1 = 32.768 kHz, no host interface accesses occurring $V_{IN} \leq V_{OLC}$ or $V_{IN} \geq V_{OHC}$		900	μ A
C _{IN}	Input Pin Capacitance	F _C = 1 MHz (Note 6)		12	pF
C _O	I/O or Output Pin Capacitance	F _C = 1 MHz (Note 6)		12	pF
C _{CLK}	BCLK Pin Capacitance	F _C = 1 MHz (Note 6)		12	pF

Notes:

- $I_{OL1} = 4\text{mA}$ applies to the following pins: $\overline{\text{STSCHG}}$, $\overline{\text{PWRDWN}}$, $\overline{\text{MA}}[16:0]$, $\overline{\text{MD}}[7:0]$, $\overline{\text{FCE}}$, $\overline{\text{SCE}}$, $\overline{\text{XCE}}$, $\overline{\text{MOE}}$, $\overline{\text{MWE}}$, $\overline{\text{TDO}}$, $\overline{\text{LFPE}}$, $\overline{\text{LFCLK}}$, $\overline{\text{LLOCKE}}$, $\overline{\text{HFPE}}$, $\overline{\text{INPACK}}$, $\overline{\text{HFCLK}}$, $\overline{\text{ANTSLT}}$, $\overline{\text{ANTSLT}}$, $\overline{\text{TXCMD}}$, $\overline{\text{TXCMD}}$, $\overline{\text{TXPE}}$, $\overline{\text{TXDATA}}$, $\overline{\text{TXDATA}}$, $\overline{\text{TXMOD}}$, $\overline{\text{RXPE}}$, $\overline{\text{FDET}}$, $\overline{\text{SDCLK}}$, $\overline{\text{SDDATA}}$, $\overline{\text{SDSEL}}[3:1]$, $\overline{\text{SAR}}[6:0]$, $\overline{\text{USER}}[4:2]$, $\overline{\text{USER}}[0]$, $\overline{\text{TXC}}$, $\overline{\text{ADIN1}}$, $\overline{\text{ADIN2}}$.
 $I_{OL2} = 12\text{mA}$ applies to the following pins: $\overline{\text{ACT}}$, $\overline{\text{LNK}}$
 $I_{OL3} = 24\text{mA}$ applies to the following pins: $\overline{\text{D}}[7:0]$, $\overline{\text{WAIT}}$, $\overline{\text{IREQ}}$, $\overline{\text{USER5}}$, $\overline{\text{USER6}}$, $\overline{\text{RXC}}$, $\overline{\text{USER7}}$, $\overline{\text{USER}}[1]$
- V_{OH} does not apply to open-drain output pins.
- Does not apply to PMX1, PMX2, and ADREF.
- I_{OZH} and I_{OZL} apply to all three-state output pins and bidirectional pins.
- Outputs are CMOS and will be driven to rail if the load is not resistive to supply.
- Not 100% tested. Value determined by characterization.

ABSOLUTE MAXIMUM RATINGS

Storage Temperature: -65 to +150°C
 Ambient Temperature Under Bias: . . . -65 to +125°C
 Supply Voltage to AV_{SS}
 or DV_{SS} (AV_{DD}, DV_{DD}): -0.3 to +6 V

Stresses above those listed under Absolute Maximum Ratings may cause permanent device failure. Functionality at or above these limits is not implied. Exposure to Absolute Maximum Ratings for extended periods may affect device reliability.

OPERATING RANGES

Commercial (C) Devices

Temperature (T_A) 0°C to +70°C
 Supply Voltages (AV_{DD}, V_{CC}, V_{DDT}, V_{DDU1}, V_{DDU2}, V_{DDM}, V_{DDP}, V_{DD5}) 3.0 V to 3.6 V
 Supply Voltages (AV_{DD}, V_{DD5}) +5 V ± 5%
 All inputs within the range: AV_{SS} - 0.5 V ≤ V_{IN} ≤ AV_{DD} + 0.5 V, or DV_{SS} - 0.5 V ≤ V_{IN} ≤ DV_{DD} + 0.5 V

Operating ranges define those limits between which the functionality of the device is guaranteed.

3.3 V Am79C930 DC CHARACTERISTICS

Parameter Symbol	Parameter Description	Test Conditions	Min	Max	Units
V _{IL}	Input LOW Voltage		-0.3	0.8	V
V _{IH}	Input HIGH Voltage		2.0	V _{DD} + 0.3	V
V _{OL}	Output LOW Voltage	I _{OL1} = 2.4 mA I _{OL2} = 12 mA I _{OL3} = 8 mA (Note 1, 5)		0.4 0.4 0.4	V
V _{OH}	Output HIGH Voltage (Note 2)	I _{OH} = -0.4 mA (Note 5)	2.4		V
V _{OLC}	Output LOW Voltage for CMOS only load	I _{OL} = 0.2 mA			V
V _{OHc}	Output HIGH Voltage for CMOS only load	I _{OL} = -0.2 mA	V _{DD} - 0.2		V
I _{IX}	Input Leakage Current (Note 3)	V _{DD} = 5 V, V _{IN} = 0 V	-10	10	µA
V _{ILX}	XTAL1 Input LOW Voltage Threshold	V _{IN} = External Clock	-0.5	0.8	V
V _{IHX}	XTAL1 Input HIGH Voltage Threshold	V _{IN} = External Clock	3.5	V _{DD} + 0.5	V
I _{ILX}	XTAL1 Input LOW Current	V _{IN} = External Clock (Active) V _{IN} = DV _{SS} (Power Down)		-100 +10	µA
I _{IHX}	XTAL1 Input HIGH Current	V _{IN} = External Clock (Active) V _{IN} = V _{DD} (Power Down)		100 400	µA
I _{OZL}	Output Leakage Current (Note 4)	V _{OUT} = 0.4 V	-10		µA
I _{OZH}	Output Leakage Current (Note 4)	V _{OUT} = V _{DD}		10	µA
I _{DDF}	Power Supply Current	CLKIN = 40 MHz, PMX1 = 32.768 kHz		105	mA
I _{DDS}	Power Supply Current	CLKIN = 20 MHz, PMX1 = 32.768 kHz		60	mA
I _{DDPD1}	Power Supply Current	Power Down mode CLKIN = internally cutoff, PMX1 = 32.768 kHz, no host interface accesses occurring V _{IN} ≤ V _{IL} or V _{IN} ≥ V _{IH}		15	mA

DC CHARACTERISTICS (continued)

3.3 V Am79C930 DC Characteristics

Parameter Symbol	Parameter Description	Test Conditions	Min	Max	Units
I _{DDPD2}	Power Supply Current	Power Down mode CLKIN = internally cutoff, PMX1 = 32.768 kHz, no host interface accesses occurring $V_{IN} \leq V_{IL}$ or $V_{IN} \geq V_{OH}$		5	mA
I _{DDPD3}	Power Supply Current	Power Down mode CLKIN = internally cutoff, PMX1 = 32.768 kHz, no host interface accesses occurring $V_{IN} \leq V_{OLC}$ or $V_{IN} \geq V_{OHC}$		900	μ A
C _{IN}	Input Pin Capacitance	F _C = 1 MHz (Note 6)		12	pF
C _O	I/O or Output Pin Capacitance	F _C = 1 MHz (Note 6)		12	pF
C _{CLK}	BCLK Pin Capacitance	F _C = 1 MHz (Note 6)		12	pF

Notes:

1. $I_{OL1} = 2.4\text{mA}$ applies to the following pins: $\overline{\text{STSCHG}}$, $\overline{\text{PWRDWN}}$, $\overline{\text{MA}}[16:0]$, $\overline{\text{MD}}[7:0]$, $\overline{\text{FCE}}$, $\overline{\text{SCE}}$, $\overline{\text{XCE}}$, $\overline{\text{MOE}}$, $\overline{\text{MWE}}$, $\overline{\text{TDO}}$, $\overline{\text{LFPE}}$, $\overline{\text{LFCLK}}$, $\overline{\text{LLOCKE}}$, $\overline{\text{HFPE}}$, $\overline{\text{INPACK}}$, $\overline{\text{HFCLK}}$, $\overline{\text{ANTSLT}}$, $\overline{\text{ANTSLT}}$, $\overline{\text{TXCMD}}$, $\overline{\text{TXCMD}}$, $\overline{\text{TXPE}}$, $\overline{\text{TXDATA}}$, $\overline{\text{TXDATA}}$, $\overline{\text{TXMOD}}$, $\overline{\text{RXPE}}$, $\overline{\text{FDET}}$, $\overline{\text{SDCLK}}$, $\overline{\text{SDDATA}}$, $\overline{\text{SDSEL}}[3:1]$, $\overline{\text{SAR}}[6:0]$, $\overline{\text{USER}}[4:2]$, $\overline{\text{USER}}[0]$, $\overline{\text{TXC}}$, $\overline{\text{ADIN1}}$, $\overline{\text{ADIN2}}$.
 $I_{OL2} = 12\text{mA}$ applies to the following pins: $\overline{\text{ACT}}$, $\overline{\text{LNK}}$
 $I_{OL3} = 8\text{mA}$ applies to the following pins: $\overline{\text{D}}[7:0]$, $\overline{\text{WAIT}}$, $\overline{\text{IREQ}}$, $\overline{\text{USER5}}$, $\overline{\text{USER6}}$, $\overline{\text{RXC}}$, $\overline{\text{USER7}}$, $\overline{\text{USER}}[1]$
2. V_{OH} does not apply to open-drain output pins.
3. Does not apply to PMX1, PMX2, and ADREF.
4. I_{OZH} and I_{OZL} apply to all three-state output pins and bidirectional pins.
5. Outputs are CMOS and will be driven to rail if the load is not resistive to supply.
6. Not 100% tested. Value determined by characterization.

ABSOLUTE MAXIMUM RATINGS

Storage Temperature: -65 to +150°C
 Ambient Temperature Under Bias: . . . -65 to +125°C
 Supply Voltage to AV_{SS}
 or DV_{SS} (AV_{DD}, DV_{DD}): -0.3 to +6 V

Stresses above those listed under Absolute Maximum Ratings may cause permanent device failure. Functionality at or above these limits is not implied. Exposure to Absolute Maximum Ratings for extended periods may affect device reliability.

OPERATING RANGES

Commercial (C) Devices

Temperature (T_A) 0°C to + 70°C
 Supply Voltages (V_{CC}, V_{DDT}, V_{DDU1}, V_{DDU2}, V_{DDM}, V_{DDP})
 +5 V ± 5% or 3.0 V to 3.6 V
 Supply Voltages
 (AV_{DD}, V_{DD5}) +5 V ± 5%

Operating ranges define those limits between which the functionality of the device is guaranteed.

IEEE 1149.1 DC CHARACTERISTICS (5.0 and 3.3 V)

Parameter Symbol	Parameter Description	Test Conditions	Min	Max	Units
V _{IL}	TCK, TMS, TDI, TRST			0.8	V
V _{IH}	TCK, TMS, TDI, TRST		2.0		V
V _{OL}	TDO	I _{OL} = 2.0 mA		0.4	V
V _{OH}	TDO	I _{OH} = -0.4 mA	2.4		V
I _{IL}	TCK, TRST	V _{DD} = 5.5 V, V _I = 0.5 V		-400	μA
I _{IH}	TCK, TRST	V _{DD} = 5.5 V, V _I = 2.7 V		-200	μA
I _{IL}	TMS, TDI	V _{DD} = 5.5 V, V _I = 0.5 V		-400	μA
I _{IH}	TMS, TDI	V _{DD} = 5.5 V, V _I = 2.7 V		-200	μA
I _{OZL}	TDO	V _{OUT} = 0.4 V	-10		μA
I _{OZH}	TDO	V _{OUT} = V _{DD}		+10	μA

AC CHARACTERISTICS**5.0 AND 3.3 V PCMCIA INTERFACE****ABSOLUTE MAXIMUM RATINGS**

Storage Temperature: -65 to +150°C

Ambient Temperature Under Bias: . . . -65 to +125°C

Supply Voltage to AV_{SS}or DV_{SS} (AV_{DD}, DV_{DD}): -0.3 to +6 V

Stresses above those listed under Absolute Maximum Ratings may cause permanent device failure. Functionality at or above these limits is not implied. Exposure to Absolute Maximum Ratings for extended periods may affect device reliability.

OPERATING RANGES**Commercial (C) Devices**Temperature (T_A) 0°C to +70°CSupply Voltages (V_{CC}, V_{DDT}, V_{DDU1}, V_{DDU2}, V_{DDM}, V_{DDP})
. 3.0 V to 5.25 V

Supply Voltages

(AV_{DD}, V_{DD5}) +5 V ± 5%

All inputs within the range: V_{SS} - 0.5 V ≤ V_{IN} ≤ V_{DD} + 0.1 X V_{DD} - where V_{SS} and V_{DD} are appropriate reference pins for a given input pin. (See section on power supply pin descriptions.)

CL = 50 pF unless otherwise noted

Operating ranges define those limits between which the functionality of the device is guaranteed.

PCMCIA MEMORY READ ACCESS

Parameter Symbol	Parameter Description	Test Conditions	Min	Max	Unit
t _{AVQV}	Address access time	Note 1	0	550	ns
t _{AVGL}	Address setup to \overline{OE} ↓		5		ns
t _{GHAX}	Address hold from \overline{OE} ↑		20		ns
t _{ELQV}	\overline{CE} access time	Note 1	0	550	ns
t _{ELGL}	\overline{CE} setup to \overline{OE} ↓		0		ns
t _{GHEH}	\overline{CE} hold from \overline{OE} ↑ (READ) or \overline{CE} hold from \overline{WE} ↑ (WRITE)		20		ns
t _{GLQV}	\overline{OE} access time	Note 1	0	200	ns
t _{GLWTV}	\overline{WAIT} valid from \overline{OE} ↓			35	ns
t _{WTLWTH}	\overline{WAIT} pulse width	Notes 2, 3		53 X T _{CLKIN}	ns
t _{GLQNZ}	Data Bus driven from \overline{OE}	Note 3	0		ns
t _{QVWTH}	Data setup to \overline{WAIT} ↑		0		ns
t _{GHQZ}	Data disabled from \overline{OE} ↑	Note 3		90	ns

Notes:

- Assumes no wait state access is programmed.
- The max value for this parameter assumes the following worst case situation:

Value	Worst Case
0	FLASH and SRAM wait states set at "3."
1	Host performs PCMCIA WRITE cycle at same time that Am79C930 embedded 80188 controller begins instruction fetch cycle to FLASH memory.
2	PCMCIA WRITE cycle is posted internal to Am79C930 device, pending the completion of the embedded 80188 controller access.
3	Host performs PCMCIA READ cycle immediately following completion of PCMCIA WRITE cycle.
4	After completion of first embedded 80188 access to FLASH, posted PCMCIA WRITE executes to SRAM; PCMCIA READ cycle is being held in wait state.
5	After completion of posted ISA WRITE cycle, new embedded 80188 access to FLASH begins.
6	After completion of second embedded 80188 access to FLASH, PCMCIA READ cycle is allowed to proceed onto memory bus to SRAM; host is still held in wait state.
7	At SRAM READ cycle completion, data is delivered to PCMCIA bus and wait state is exited.

- Parameter is not included in production test.

PCMCIA MEMORY WRITE ACCESS

Parameter Symbol	Parameter Description	Test Conditions	Min	Max	Unit
t _{AVWL}	Address setup to \overline{WE} ↓		20		ns
t _{AVWH}	Address setup to \overline{WE} ↑		100		ns
t _{WMAX}	Write recovery time (Address hold from \overline{WE} ↑)		20		ns
t _{ELWH}	\overline{CE} setup to \overline{WE} ↑		140		ns
t _{ELWL}	\overline{CE} setup to \overline{WE} ↓		0		ns
t _{GHEH}	\overline{CE} hold from \overline{OE} ↑ (READ) or \overline{CE} hold from \overline{WE} ↑ (WRITE)		20		ns
t _{GHWL}	\overline{OE} setup to \overline{WE} ↓		10		ns
t _{WHGL}	\overline{OE} hold from \overline{WE} ↑		10		ns
t _{WLWH}	\overline{WE} pulse width		120		ns
t _{WLWTV}	\overline{WAIT} valid from \overline{WE} ↓		35		ns
t _{WTLWTH}	\overline{WAIT} pulse width	Notes 1, 2		53 X T _{CLKIN}	ns
t _{WTHWH}	\overline{WE} hold from \overline{WAIT} ↑		0		ns
t _{DVWH}	Data setup to \overline{WE} ↑		60		ns
t _{WMDX}	Data hold from \overline{WE} ↑		30		ns
t _{GHQZ}	Data disabled from \overline{OE} ↑	Note 2		90	ns
t _{WLQZ}	Data disabled from \overline{WE} ↓	Note 2		90	ns
t _{WHQNZ}	Data enabled from \overline{WE} ↑	Note 2	5		ns
t _{GLQNZ}	Data enabled from \overline{OE} ↓	Note 2	5		ns

Notes:

1. The max value for this parameter assumes the following worst case situation:

Value	Worst Case
0	FLASH and SRAM wait states set at "3."
1	Host performs PCMCIA WRITE cycle at same time that Am79C930 embedded 80188 controller begins instruction fetch cycle to FLASH memory.
2	PCMCIA WRITE cycle is posted internal to Am79C930 device, pending the completion of the embedded 80188 controller access.
3	Host performs PCMCIA READ cycle immediately following completion of PCMCIA WRITE cycle.
4	After completion of first embedded 80188 access to FLASH, posted PCMCIA WRITE executes to SRAM; PCMCIA READ cycle is being held in wait state.
5	After completion of posted ISA WRITE cycle, new embedded 80188 access to FLASH begins.
6	After completion of second embedded 80188 access to FLASH, PCMCIA READ cycle is allowed to proceed onto memory bus to SRAM; host is still held in wait state.
7	At SRAM READ cycle completion, data is delivered to PCMCIA bus and wait state is exited.

2. Parameter is not included in production test.

PCMCIA I/O READ ACCESS

Parameter Symbol	Parameter Description	Test Conditions	Min	Max	Unit
t _{AVIGL}	Address setup to $\overline{\text{IORD}}$ ↓		70		ns
t _{IGHAX}	Address hold from $\overline{\text{IORD}}$ ↑		20		ns
t _{RGLIGL}	$\overline{\text{REG}}$ setup to $\overline{\text{IORD}}$ ↓		5		ns
t _{IGHRGH}	$\overline{\text{REG}}$ hold from $\overline{\text{IORD}}$ ↑		0		ns
t _{ELIGL}	$\overline{\text{CE}}$ setup to $\overline{\text{IORD}}$ ↓		5		ns
t _{IGHEH}	$\overline{\text{CE}}$ hold from $\overline{\text{IORD}}$ ↑		20		ns
t _{IGLIGH}	$\overline{\text{IORD}}$ width		165		ns
t _{IGLIAL}	$\overline{\text{INPACK}}$ ↓ delay from $\overline{\text{IORD}}$ ↓		0	45	ns
t _{IGHIAH}	$\overline{\text{INPACK}}$ ↑ delay from $\overline{\text{IORD}}$ ↑			45	ns
t _{IGLWTL}	$\overline{\text{WAIT}}$ ↓ delay from $\overline{\text{IORD}}$ ↓			35	ns
t _{WTLWTH}	$\overline{\text{WAIT}}$ width	Notes 1, 2		53 X T _{CLKIN}	ns
t _{WTHQV}	Data delay from $\overline{\text{WAIT}}$ ↑			0	ns
t _{IGLQNZ}	Data enabled from $\overline{\text{IORD}}$ ↓	Note 2	0		ns
t _{IGLQV}	Data delay from $\overline{\text{IORD}}$ ↓			100	ns
t _{IGHQX}	Data hold from $\overline{\text{IORD}}$ ↑		0		ns
t _{IGHQZ}	Data disabled from $\overline{\text{IORD}}$ ↑	Note 2		20	ns

Notes:

- The max value for this parameter assumes the following worst case situation:

Value	Worst Case
0	FLASH and SRAM wait states set at "3."
1	Host performs PCMCIA WRITE cycle at same time that Am79C930 embedded 80188 controller begins instruction fetch cycle to FLASH memory.
2	PCMCIA WRITE cycle is posted internal to Am79C930 device, pending the completion of the embedded 80188 controller access.
3	Host performs PCMCIA READ cycle immediately following completion of PCMCIA WRITE cycle.
4	After completion of first embedded 80188 access to FLASH, posted PCMCIA WRITE executes to SRAM; PCMCIA READ cycle is being held in wait state.
5	After completion of posted ISA WRITE cycle, new embedded 80188 access to FLASH begins.
6	After completion of second embedded 80188 access to FLASH, PCMCIA READ cycle is allowed to proceed onto memory bus to SRAM; host is still held in wait state.
7	At SRAM READ cycle completion, data is delivered to PCMCIA bus and wait state is exited.

- Parameter is not included in production test.

PCMCIA I/O WRITE ACCESS

Parameter Symbol	Parameter Description	Test Conditions	Min	Max	Unit
t _{AVIWL}	Address setup to $\overline{\text{IOWR}} \downarrow$		70		ns
t _{IWHAX}	Address hold from $\overline{\text{IOWR}} \uparrow$		20		ns
t _{RGLIWL}	$\overline{\text{REG}}$ setup to $\overline{\text{IOWR}} \downarrow$		5		ns
t _{IWHRGH}	$\overline{\text{REG}}$ hold from $\overline{\text{IOWR}} \uparrow$		0		ns
t _{ELIWL}	$\overline{\text{CE}}$ setup to $\overline{\text{IOWR}} \downarrow$		5		ns
t _{IWHEH}	$\overline{\text{CE}}$ hold from $\overline{\text{IOWR}} \uparrow$		20		ns
t _{IWLIWH}	$\overline{\text{IOWR}}$ width		165		ns
t _{IWLWTL}	$\overline{\text{WAIT}} \downarrow$ delay from $\overline{\text{IOWR}} \downarrow$			35	ns
t _{WTLWTH}	$\overline{\text{WAIT}}$ width	Notes 1, 2		53 X T _{CLKIN}	ns
t _{WTHIWH}	$\overline{\text{IOWR}} \uparrow$ from $\overline{\text{WAIT}} \uparrow$		0		ns
t _{DVIWL}	Data setup to $\overline{\text{IOWR}} \downarrow$		60		ns
t _{IWHDX}	Data hold from $\overline{\text{IOWR}} \uparrow$		30		ns

Notes:

- The max value for this parameter assumes the following worst case situation:

Value	Worst Case
0	FLASH and SRAM wait states set at "3."
1	Host performs PCMCIA WRITE cycle at same time that Am79C930 embedded 80188 controller begins instruction fetch cycle to FLASH memory.
2	PCMCIA WRITE cycle is posted internal to Am79C930 device, pending the completion of the embedded 80188 controller access.
3	Host performs PCMCIA READ cycle immediately following completion of PCMCIA WRITE cycle.
4	After completion of first embedded 80188 access to FLASH, posted PCMCIA WRITE executes to SRAM; PCMCIA READ cycle is being held in wait state.
5	After completion of posted PCMCIA WRITE cycle, new embedded 80188 access to FLASH begins.
6	After completion of second embedded 80188 access to FLASH, PCMCIA READ cycle is allowed to proceed onto memory bus to SRAM; host is still held in wait state.
7	At SRAM READ cycle completion, data is delivered to PCMCIA bus and wait state is exited.

- Parameter is not included in production test.

AC CHARACTERISTICS**5.0 AND 3.3 V ISA INTERFACE****ABSOLUTE MAXIMUM RATINGS**

Storage Temperature: -65 to +150°C

Ambient Temperature Under Bias: . . . -65 to +125°C

Supply Voltage to AV_{SS}or DV_{SS} (AV_{DD}, DV_{DD}): -0.3 to +6 V

Stresses above those listed under Absolute Maximum Ratings may cause permanent device failure. Functionality at or above these limits is not implied. Exposure to Absolute Maximum Ratings for extended periods may affect device reliability.

OPERATING RANGES**Commercial (C) Devices**Temperature (T_A) 0°C to + 70°CSupply Voltages (V_{CC}, V_{DDT}, V_{DDU1}, V_{DDU2}, V_{DDM}, V_{DDP})
. 3.0 V to 5.25 V

Supply Voltages

(AV_{DD}, V_{DD5}) +5 V ± 5%

All inputs within the range: V_{SS} - 0.5 V ≤ V_{IN} ≤ V_{DD} + 0.1 X V_{DD} - where V_{SS} and V_{DD} are appropriate reference pins for a given input pin. (See section on power supply pin descriptions.)

CL = 50 pF unless otherwise noted

Operating ranges define those limits between which the functionality of the device is guaranteed.

ISA ACCESS

Parameter Symbol	Parameter Description	Test Conditions	Min	Max	Unit
t1	LA[23:17] valid setup to BALE ↓		60		ns
t2	BALE ↑ to BALE ↓ pulse width		25		ns
t3	LA[23:17] valid hold from BALE ↓		12		ns
t4	LA[23:17] valid setup to $\overline{\text{CMD}}$ ↓	Note 1	80		ns
t7	SA[16:0] valid setup to $\overline{\text{CMD}}$ ↓	Note 1	25		ns
t8	$\overline{\text{CMD}}$ ↓ to $\overline{\text{CMD}}$ ↑ pulse width	Note 4	$6 \times T_{\text{CLKIN}}$		ns
t9	SA[16:0] valid setup to BALE ↓		20		ns
t10	Data valid delay from $\overline{\text{RCMD}}$ ↓	Notes 2, 5, 6		$53 \times T_{\text{CLKIN}}$	ns
t11	Data valid setup to $\overline{\text{WCMD}}$ ↓	Note 3	-75		ns
t12	SA[16:0] valid hold from $\overline{\text{CMD}}$ ↑	Note 1	20		ns
t13	$\overline{\text{CMD}}$ ↑ to $\overline{\text{CMD}}$ ↓ pulse width	Note 1	55		ns
t14	Data valid hold from $\overline{\text{RCMD}}$ ↑	Note 2	0		ns
t15	Data valid hold from $\overline{\text{WCMD}}$ ↑	Note 3	20		ns
t16	Data disabled from $\overline{\text{RCMD}}$ ↑	Note 2, 6		20	ns
t20	IOCHRDY ↓ delay from $\overline{\text{CMD}}$ ↓	Notes 1, 7		60	ns
t21	IOCHRDY ↓ to IOCHRDY ↑ pulse width	Notes 5, 6, 7	0	$130 + 53 \times T_{\text{CLKIN}}$	ns
t22	$\overline{\text{CMD}}$ ↑ delay from IOCHRDY ↑	Notes 1, 7	35		ns
t23	BALE ↑ delay from $\overline{\text{CMD}}$ ↑	Note 1	20		ns
t25	Data valid delay from IOCHRDY ↑	Note 7	$-T_{\text{CLKIN}}$	25	ns
t26	LA[23:17] valid hold from $\overline{\text{CMD}}$ ↓	Note 1	-15		ns
t30	AEN valid setup to $\overline{\text{CMD}}$ ↓	Note 1	80		ns
t31	AEN valid hold from $\overline{\text{CMD}}$ ↑	Note 1	15		ns
t32	AEN valid setup to BALE ↓		60		ns
t34	Data enabled from $\overline{\text{RCMD}}$ ↓	Notes 2, 4	0	110	ns

Notes:

- $\overline{\text{CMD}}$ = one of: $\overline{\text{MEMR}}$, $\overline{\text{MEMW}}$, $\overline{\text{IOR}}$ or $\overline{\text{IOW}}$.
- $\overline{\text{RCMD}}$ = one of: $\overline{\text{MEMR}}$, or $\overline{\text{IOR}}$.
- $\overline{\text{WCMD}}$ = one of: $\overline{\text{MEMW}}$, or $\overline{\text{IOW}}$.
- If no wait states are incurred.
- The max value for this parameter assumes the following worst case situation:

Value	Worst Case
0	FLASH and SRAM wait states set at "3."
1	Host performs ISA WRITE cycle at same time that Am79C930 embedded 80188 controller begins instruction fetch cycle to FLASH memory.
2	ISA WRITE cycle is posted internal to Am79C930 device, pending the completion of the embedded 80188 controller access.
3	Host performs ISA READ cycle immediately following completion of ISA WRITE cycle.
4	After completion of first embedded 80188 access to FLASH, posted ISA WRITE executes to SRAM; ISA READ cycle is being held in wait state.
5	After completion of posted ISA WRITE cycle, new embedded 80188 access to FLASH begins.
6	After completion of second embedded 80188 access to FLASH, ISA READ cycle is allowed to proceed onto memory bus to SRAM; host is still held in wait state.
7	At SRAM READ cycle completion, data is delivered to ISA bus and wait state is exited.
- Parameter is not included in production test.
- Parameter only applies when IOCHRDY is deasserted.

AC CHARACTERISTICS**5.0 V MEMORY BUS INTERFACE****ABSOLUTE MAXIMUM RATINGS**

Storage Temperature: -65 to +150°C

Ambient Temperature Under Bias: . . . -65 to +125°C

Supply Voltage to AV_{SS}or DV_{SS} (AV_{DD}, DV_{DD}): -0.3 to +6 V

Stresses above those listed under Absolute Maximum Ratings may cause permanent device failure. Functionality at or above these limits is not implied. Exposure to Absolute Maximum Ratings for extended periods may affect device reliability.

OPERATING RANGES**Commercial (C) Devices**Temperature (T_A) 0°C to +70°CSupply Voltages (V_{CC}, V_{DDT}, V_{DDU1}, V_{DDU2}, V_{DDM}, V_{DDP})
. 4.75 V to 5.25 V

Supply Voltages

(AV_{DD}, V_{DD5}) +5 V ± 5%

All inputs within the range: V_{SS} - 0.5 V ≤ V_{IN} ≤ V_{DD} + 0.1 X V_{DD} - where V_{SS} and V_{DD} are appropriate reference pins for a given input pin. (See section on power supply pin descriptions.)

CL = 50 pF unless otherwise noted

Operating ranges define those limits between which the functionality of the device is guaranteed.

MEMORY BUS READ ACCESS

Parameter Symbol	Parameter Description	Test Conditions	Min	Max	Unit
t _{mAD}	MA[16:0] valid from CLKIN ↓		2	60	ns
t _{mCD}	$\overline{\text{CE}}$ active delay from CLKIN ↓	Note 1	2	60	ns
t _{mOD}	$\overline{\text{MOE}}$ active delay from CLKIN ↓		2	60	ns
t _{mOLZ}	$\overline{\text{MOE}}$ ↓ to MD[7:0] driven (Note 3)	0 wait states	0	30	ns
		1 wait state		80	ns
		2 wait states		130	ns
t _{mAA}	Address Read Access Time (Note 3)	0 wait states		55	ns
		1 wait state		105	ns
		2 wait states		155	ns
t _{mACS}	$\overline{\text{CE}}$ Read Access Time (Notes 1, 3)	0 wait states		55	ns
		1 wait state		105	ns
		2 wait states		155	ns
t _{mOE}	$\overline{\text{MOE}}$ Read Access Time (Note 3)	0 wait states		30	ns
		1 wait state		80	ns
		2 wait states		130	ns
t _{mRI}	$\overline{\text{CE}}$ Inactive Time	Notes 1, 2	0		ns
t _{mAH}	MA[16:0] valid hold from $\overline{\text{MOE}}$ ↑	Note 1	T _{CLKIN} -10		ns
t _{mCH}	$\overline{\text{CE}}$ valid hold from $\overline{\text{MOE}}$ ↑		T _{CLKIN} -10		ns
t _{mH}	MD[7:0] valid hold from $\overline{\text{MOE}}$ ↑	Note 2	0		ns
t _{mHZ}	MD[7:0] inactive from $\overline{\text{MOE}}$ ↑	Note 2	0	2 X T _{CLKIN} -15	ns

Notes:

- $\overline{\text{CE}}$ = one of: $\overline{\text{FCE}}$, $\overline{\text{SCE}}$, $\overline{\text{XCE}}$
- Parameter not included in the production test.
- Value is dependent upon T_{CLKIN} value. Value given is for CLKIN = 40 MHz.

MEMORY BUS WRITE ACCESS

Parameter Symbol	Parameter Description	Test Conditions	Min	Max	Unit
t _m AD	MA[16:0] valid from CLKIN ↓		2	60	ns
t _m CD	$\overline{\text{CE}}$ active delay from CLKIN ↓	Note 1	2	60	ns
t _m WD	$\overline{\text{MWE}}$ active delay from CLKIN ↓		2	60	ns
t _m CQ	MD[16:0] driven from CLKIN ↓		2		ns
t _m CV	MD[16:0] valid from CLKIN ↓			60	ns
t _m AS	Address Setup Time to $\overline{\text{MWE}}$ ↓		T _{CLKIN} -20		ns
t _m AW	Address Write Access Time (Note 3)	0 wait states	95		ns
		1 wait state	145		ns
		2 wait states	195		ns
t _m CW	$\overline{\text{CE}}$ Write Access Time (Notes 1, 3)	0 wait states	95		ns
		1 wait state	145		ns
		2 wait states	195		ns
t _m WP	$\overline{\text{MWE}}$ Write Access Time (Note 3)	0 wait states	90		ns
		1 wait state	140		ns
		2 wait states	190		ns
t _m WQ	$\overline{\text{MWE}}$ ↓ to MD[7:0] driven		-10		ns
t _m AH	MA[16:0] valid hold from $\overline{\text{MWE}}$ ↑		T _{CLKIN} -10		ns
t _m CH	$\overline{\text{CE}}$ valid hold from $\overline{\text{MWE}}$ ↑	Note 1	T _{CLKIN} -10		ns
t _m WI	$\overline{\text{CE}}$ Inactive Time	Note 1, 2	0		ns
t _m SW	MD[7:0] valid setup to $\overline{\text{MWE}}$ ↑	0 wait states	80		ns
		1 wait state	130		ns
		2 wait states	180		ns
t _m HW	MD[7:0] valid hold from $\overline{\text{MWE}}$ ↑	Note 2	T _{CLKIN} -15		ns
t _m HWZ	MD[7:0] inactive from $\overline{\text{MWE}}$ ↑	Note 2	2 X T _{CLKIN} -10	2 X T _{CLKIN} +10	ns

Notes:

1. $\overline{\text{CE}}$ = one of: $\overline{\text{FCE}}$, $\overline{\text{SCE}}$, $\overline{\text{XCE}}$
2. Parameter not included in the production test.
3. Value is dependent upon T_{CLKIN} value. Value given is for CLKIN = 40 MHz.

AC CHARACTERISTICS**3.3 V MEMORY BUS INTERFACE****ABSOLUTE MAXIMUM RATINGS**

Storage Temperature: -65 to +150°C

Ambient Temperature Under Bias: . . . -65 to +125°C

Supply Voltage to AV_{SS}or DV_{SS} (AV_{DD}, DV_{DD}): -0.3 to +6 V

Stresses above those listed under Absolute Maximum Ratings may cause permanent device failure. Functionality at or above these limits is not implied. Exposure to Absolute Maximum Ratings for extended periods may affect device reliability.

OPERATING RANGES**Commercial (C) Devices**Temperature (T_A) 0°C to +70°CSupply Voltages (V_{CC}, V_{DDT}, V_{DDU1}, V_{DDU2}, V_{DDM}, V_{DDP})
. 3.0 V to 5.25 V

Supply Voltages

(AV_{DD}, V_{DD5}) +5 V ± 5%

All inputs within the range: V_{SS} - 0.5 V ≤ V_{IN} ≤ V_{DD} + 0.1 X V_{DD} - where V_{SS} and V_{DD} are appropriate reference pins for a given input pin. (See section on power supply pin descriptions.)

CL = 50 pF unless otherwise noted

Operating ranges define those limits between which the functionality of the device is guaranteed.

MEMORY BUS READ ACCESS

Parameter Symbol	Parameter Description	Test Conditions	Min	Max	Unit
t _{mAD}	MA[16:0] valid from CLKIN ↓		2	100	ns
t _{mCD}	$\overline{\text{CE}}$ active delay from CLKIN ↓	Note 1	2	100	ns
t _{mOD}	$\overline{\text{MOE}}$ active delay from CLKIN ↓		2	100	ns
t _{mOLZ}	$\overline{\text{MOE}}$ ↓ to MD[7:0] driven (Note 3)	0 wait states	0	70	ns
		1 wait state		170	ns
		2 wait states		270	ns
t _{mAA}	Address Read Access Time (Note 3)	0 wait states		120	ns
		1 wait state		220	ns
		2 wait states		320	ns
t _{mACS}	$\overline{\text{CE}}$ Read Access Time (Notes 1, 3)	0 wait states		120	ns
		1 wait state		220	ns
		2 wait states		320	ns
t _{mOE}	$\overline{\text{MOE}}$ Read Access Time (Note 3)	0 wait states		70	ns
		1 wait state		170	ns
		2 wait states		270	ns
t _{mRI}	$\overline{\text{CE}}$ Inactive Time	Notes 1, 2	0		ns
t _{mAH}	MA[16:0] valid hold from $\overline{\text{MOE}}$ ↑	Note 1	T _{CLKIN} -10		ns
t _{mCH}	$\overline{\text{CE}}$ valid hold from $\overline{\text{MOE}}$ ↑		T _{CLKIN} -10		ns
t _{mH}	MD[7:0] valid hold from $\overline{\text{MOE}}$ ↑	Note 2	0		ns
t _{mHZ}	MD[7:0] inactive from $\overline{\text{MOE}}$ ↑	Note 2	0	2 X T _{CLKIN} -15	ns

Notes:

- $\overline{\text{CE}}$ = one of: $\overline{\text{FCE}}$, $\overline{\text{SCE}}$, $\overline{\text{XCE}}$
- Parameter not included in the production test.
- Value is dependent upon T_{CLKIN} value. Value given is for CLKIN = 20 MHz.

MEMORY BUS WRITE ACCESS

Parameter Symbol	Parameter Description	Test Conditions	Min	Max	Unit
t _m AD	MA[16:0] valid from CLKIN ↓		2	100	ns
t _m CD	\overline{CE} active delay from CLKIN ↓	Note 1	2	100	ns
t _m WD	\overline{MWE} active delay from CLKIN ↓		2	100	ns
t _m CQ	MD[7:0] driven from CLKIN ↓		2		ns
t _m CV	MD[7:0] valid from CLKIN ↓			100	ns
t _m AS	Address Setup Time to \overline{MWE} ↓		T _{CLKIN} -20		ns
t _m AW	Address Write Access Time (Note 3)	0 wait states	160		ns
		1 wait state	260		ns
		2 wait states	360		ns
t _m CW	\overline{CE} Write Access Time (Notes 1, 3)	0 wait states	160		ns
		1 wait state	260		ns
		2 wait states	360		ns
t _m WP	\overline{MWE} Write Access Time (Note 3)	0 wait states	150		ns
		1 wait state	250		ns
		2 wait states	350		ns
t _m WQ	\overline{MWE} ↓ to MD[7:0] driven		-10		ns
t _m AH	MA[16:0] valid hold from \overline{MWE} ↑		T _{CLKIN} -10		ns
t _m CH	\overline{CE} valid hold from \overline{MWE} ↑	Note 1	T _{CLKIN} -10		ns
t _m WI	\overline{CE} Inactive Time	Note 1, 2	0		ns
t _m SW	MD[7:0] valid setup to \overline{MWE} ↑	0 wait states	130		ns
		1 wait state	230		ns
		2 wait states	330		ns
t _m HW	MD[7:0] valid hold from \overline{MWE} ↑	Note 2	T _{CLKIN} -15		ns
t _m HWZ	MD[7:0] inactive from \overline{MWE} ↑	Note 2	2 X T _{CLKIN} -10	2 X T _{CLKIN} +10	ns

Notes:

1. \overline{CE} = one of: \overline{FCE} , \overline{SCE} , \overline{XCE}
2. Parameter not included in the production test.
3. Value is dependent upon T_{CLKIN} value. Value given is for CLKIN = 20 MHz.

AC CHARACTERISTICS**5.0 V TAI INTERFACE****ABSOLUTE MAXIMUM RATINGS**

Storage Temperature: -65 to +150°C

Ambient Temperature Under Bias: . . . -65 to +125°C

Supply Voltage to AV_{SS}or DV_{SS} (AV_{DD}, DV_{DD}): -0.3 to +6 V

Stresses above those listed under Absolute Maximum Ratings may cause permanent device failure. Functionality at or above these limits is not implied. Exposure to Absolute Maximum Ratings for extended periods may affect device reliability.

OPERATING RANGES**Commercial (C) Devices**Temperature (T_A) 0°C to + 70°CSupply Voltages (V_{CC}, V_{DDT}, V_{DDU1}, V_{DDU2}, V_{DDM}, V_{DDP})
. 3.0 V to 5.25 V

Supply Voltages

(AV_{DD}, V_{DD5}) +5 V ± 5%

All inputs within the range: V_{SS} - 0.5 V ≤ V_{IN} ≤ V_{DD} + 0.1 X V_{DD} - where V_{SS} and V_{DD} are appropriate reference pins for a given input pin. (See section on power supply pin descriptions.)

CL = 50 pF unless otherwise noted

Operating ranges define those limits between which the functionality of the device is guaranteed.

5.0 V TAI INTERFACE AC CHARACTERISTICS

Parameter Symbol	Parameter Description	Test Conditions	Min	Max	Unit
T _{CLKIN}	CLKIN Period	MIR9[7]=1	25		ns
T _{CLIN}	CLKIN Low time	MIR9[7]=1	5		ns
T _{CHIN}	CLKIN High time	MIR9[7]=1	5		ns
T _{CLKIN}	CLKIN Period	MIR9[7]=0	50		
T _{CLIN}	CLKIN Low time	MIR9[7]=0	22		
T _{CHIN}	CLKIN High time	MIR9[7]=0	22		
T _{INHL}	CLKIN Fall time	Note 8		3	ns
T _{INLH}	CLKIN Rise time	Note 8		3	ns
T _{RXC}	RXC Period	Note 5	500		ns
T _{CLR_X}	RXC Low time	Note 5	240		ns
T _{CHR_X}	RXC High time	Note 5	240		ns
T _{RXHL}	RXC Fall time	Note 8		10	ns
T _{RXLH}	RXC Rise time	Note 8		10	ns
T _{TXC}	TXC Period	Notes 1, 5, 7	500		ns
T _{CLTX}	TXC Low time	Notes 1, 5, 7	245		ns
T _{CHTX}	TXC High time	Notes 1, 5, 7	245		ns
T _{TXHL}	TXC Fall time	Notes 1, 8		5	ns
T _{TXLH}	TXC Rise time	Notes 1, 8		5	ns
T _{TXCO}	TXC Period	Notes 2, 7	500		ns
T _{CLTXO}	TXC Low time	Notes 2, 7	285		ns
T _{CHTXO}	TXC High time	Notes 2, 7	185		ns
T _{TXHLO}	TXC Fall time	Notes 2, 8		15	ns
T _{TXLHO}	TXC Rise time	Notes 2, 8		15	ns
t _{RXDS}	RXD setup time to RXC ↑	Note 6	110		ns
t _{RXDH}	RXD hold time from RXC ↑	Note 6	10		ns
t _{TXDD}	TXD delay from TXC ↓	Notes 1, 3	10	200	ns
t _{TXDS}	TXD setup time to TXC ↑	Notes 2, 4	T _{CLTX} -165		ns
t _{TXDH}	TXD hold time from TXC ↑	Notes 2, 4	T _{CHTX}		ns
t _{TXDV}	TXD delay from TXC ↓	Notes 2, 3	0	150	ns

Notes:

1. Only applicable when TXC has been configured as an INPUT.
2. Only applicable when TXC has been configured as an OUTPUT.
3. MIN value not tested.
4. Parameter calculated from other parameters.
5. Clock period must correlate to data rate as specified in DR bits of TCR30. Note that data rate is a function of DR and T_{CLKIN} and CLKGT20 bit of MIR9.
6. The values for these parameters are given for the case with $CLKP = 0$ (TCR2[4:0]). For nonzero values of CLKP, use the following formulas:

If $CLKGT20 = 0$ (MIR9[7]),	$t_{RXDSmin} = 110 - CLKP \times T_{CLKIN}$
	$t_{RXDHmin} = 10 + CLKP \times T_{CLKIN}$
If $CLKGT20 = 1$ (MIR9[7]),	$t_{RXDSmin} = 110 - CLKP \times T_{CLKIN} \times 2$
	$t_{RXDHmin} = 10 + CLKP \times T_{CLKIN} \times 2$
7. Values given are for data rate of 2Mb/s. For other data rates,
 - T_{TXC} is $1/DR$, where DR = data rate in Hertz,
 - T_{CLTX} is 60% of T_{TXC} minus T_{TXHL} ,
 - T_{CHTX} is 40% of T_{TXC} minus T_{TXHL} ,
 - T_{TXCO} is $1/DR$, where DR = data rate in Hertz,
 - T_{CLTXO} is 60% of T_{TXCO} minus T_{TXHLO} ,
 - T_{CHTXO} is 40% of T_{TXCO} minus T_{TXHLO} ,
 - T_{TXHLO} is 15 ns, regardless of DR value,
 - T_{TXLHO} is 15 ns, regardless of DR value.
8. Parameter not included in the production test.

AC CHARACTERISTICS

3.3 V TAI INTERFACE

ABSOLUTE MAXIMUM RATINGS

Storage Temperature: -65 to +150°C

Ambient Temperature Under Bias: . . . -65 to +125°C

Supply Voltage to AV_{SS}

or DV_{SS} (AV_{DD}, DV_{DD}): -0.3 to +6 V

Stresses above those listed under Absolute Maximum Ratings may cause permanent device failure. Functionality at or above these limits is not implied. Exposure to Absolute Maximum Ratings for extended periods may affect device reliability.

OPERATING RANGES

Commercial (C) Devices

Temperature (T_A) 0°C to + 70°C

Supply Voltages (V_{CC}, V_{DDT}, V_{DDU1}, V_{DDU2}, V_{DDM}, V_{DDP})
 3.0 V to 5.25 V

Supply Voltages

(AV_{DD}, V_{DD5}) +5 V ± 5%

All inputs within the range: V_{SS} - 0.5 V ≤ V_{IN} ≤ V_{DD} + 0.1 X V_{DD} - where V_{SS} and V_{DD} are appropriate reference pins for a given input pin. (See section on power supply pin descriptions.)

CL = 50 pF unless otherwise noted

Operating ranges define those limits between which the functionality of the device is guaranteed.

3.3 V TAI INTERFACE AC CHARACTERISTICS

Parameter Symbol	Parameter Description	Test Conditions	Min	Max	Unit
t _{CLKIN}	CLKIN Period		50		ns
t _{CLIN}	CLKIN Low time		22		ns
t _{CHIN}	CLKIN High time		22		ns
t _{INHL}	CLKIN Fall time	Note 8		3	ns
t _{INLH}	CLKIN Rise time	Note 8		3	ns
t _{RXC}	RXC Period	Note 5	1000		ns
t _{CLRXC}	RXC Low time	Note 5	480		ns
t _{CHRXC}	RXC High time	Note 5	480		ns
t _{RXHL}	RXC Fall time	Note 8		20	ns
t _{RXLH}	RXC Rise time	Note 8		20	ns
t _{TXC}	TXC Period	Notes 1, 5, 7	1000		ns
t _{CLTX}	TXC Low time	Notes 1, 5, 7	495		ns
t _{CHTX}	TXC High time	Notes 1, 5, 7	495		ns
t _{TXHL}	TXC Fall time	Notes 1, 8		5	ns
t _{TXLH}	TXC Rise time	Notes 1, 8		5	ns
t _{TXCO}	TXC Period	Notes 2, 7	1000		ns
t _{CLTXO}	TXC Low time	Notes 2, 7	585		ns
t _{CHTXO}	TXC High time	Notes 2, 7	385		ns
t _{TXHLO}	TXC Fall time	Notes 2, 8		15	ns
t _{TXLHO}	TXC Rise time	Notes 2, 8		15	ns
t _{RXDS}	RXD setup time to RXC ↑	Note 6	110		ns
t _{RXDH}	RXD hold time from RXC ↑	Note 6	10		ns
t _{TXDD}	TXD delay from TXC ↓	Notes 1, 3	10	200	ns
t _{TXDS}	TXD setup time to TXC ↑	Notes 2, 4	T _{CLTX} -165		ns
t _{TXDH}	TXD hold time from TXC ↑	Notes 2, 4	T _{CHTX}		ns
t _{TXDV}	TXD delay from TXC ↓	Notes 2, 3	0	150	ns

Notes:

- Only applicable when TXC has been configured as an INPUT.
- Only applicable when TXC has been configured as an OUTPUT.
- MIN value not tested.
- Parameter calculated from other parameters.
- Clock period must correlate to data rate as specified in DR bits of TCR30. Note that data rate is a function of DR and T_{CLKIN} and CLKGT20 bit of MIR9.
- The values for these parameters are given for the case with CLKP = 0 (TCR2[4:0]). For nonzero values of CLKP, use the following formulas:
 If CLKGT20 = 0 (MIR9[7]), $t_{RXDSmin} = 110 - CLKP \times T_{CLKIN}$
 $t_{RXDHmin} = 10 + CLKP \times T_{CLKIN}$
 If CLKGT20 = 1 (MIR9[7]), $t_{RXDSmin} = 110 - CLKP \times T_{CLKIN} \times 2$
 $t_{RXDHmin} = 10 + CLKP \times T_{CLKIN} \times 2$
- Values given are for data rate of 1Mb/s. For other data rates,
 t_{TXC} is 1/DR, where DR = data rate in Hertz,
 t_{CLTX} is 60% of T_{TXC} minus T_{TXHL},
 t_{CHTX} is 40% of T_{TXC} minus T_{TXHL},
 t_{TXCO} is 1/DR, where DR = data rate in Hertz,
 t_{CLTXO} is 60% of T_{TXCO} minus T_{TXHLO},
 t_{CHTXO} is 40% of T_{TXCO} minus T_{TXHLO},
 t_{TXHLO} is 15 ns, regardless of DR value,
 t_{TXLHO} is 15 ns, regardless of DR value.
- Parameter not included in the production test.

AC CHARACTERISTICS

5.0 AND 3.3 V USER PROGRAMMABLE PINS

ABSOLUTE MAXIMUM RATINGS

Storage Temperature: -65 to +150°C
 Ambient Temperature Under Bias: . . . -65 to +125°C
 Supply Voltage to AV_{SS}
 or DV_{SS} (AV_{DD}, DV_{DD}): -0.3 to +6 V

Stresses above those listed under Absolute Maximum Ratings may cause permanent device failure. Functionality at or above these limits is not implied. Exposure to Absolute Maximum Ratings for extended periods may affect device reliability.

OPERATING RANGES

Commercial (C) Devices

Temperature (T_A) 0°C to + 70°C

Supply Voltages (V_{CC}, V_{DDT}, V_{DDU1}, V_{DDU2}, V_{DDM}, V_{DDP})
 3.0 V to 5.25 V

Supply Voltages
 (AV_{DD}, V_{DD5}) +5 V ± 5%

All inputs within the range: V_{SS} - 0.5 V ≤ V_{IN} ≤ V_{DD} + 0.1 X V_{DD} - where V_{SS} and V_{DD} are appropriate reference pins for a given input pin. (See section on power supply pin descriptions.)

CL = 50 pF unless otherwise noted

Operating ranges define those limits between which the functionality of the device is guaranteed.

Parameter Symbol	Parameter Description	Test Conditions	Min	Max	Units
t _{u1}	Data change delay from CLKIN ↓			55	ns
t _{u2}	Pin drive disable delay from CLKIN ↓	Note 1		55	ns
t _{u3}	Pin drive enable delay from CLKIN ↓	Note 1		55	ns

Note:

1. Parameter is not included in production test.

AC CHARACTERISTICS**5.0 AND 3.3 V IEEE 1149.1 INTERFACE****ABSOLUTE MAXIMUM RATINGS**

Storage Temperature: -65 to +150°C

Ambient Temperature Under Bias: . . . -65 to +125°C

Supply Voltage to AV_{SS}or DV_{SS} (AV_{DD}, DV_{DD}): -0.3 to +6 V

Stresses above those listed under Absolute Maximum Ratings may cause permanent device failure. Functionality at or above these limits is not implied. Exposure to Absolute Maximum Ratings for extended periods may affect device reliability.

OPERATING RANGES**Commercial (C) Devices**Temperature (T_A) 0°C to +70°CSupply Voltages (V_{CC}, V_{DDT}, V_{DDU1}, V_{DDU2}, V_{DDM}, V_{DDP})
. 3.0 V to 5.25 V

Supply Voltages

(AV_{DD}, V_{DD5}) +5 V ± 5%

All inputs within the range: V_{SS} - 0.5 V ≤ V_{IN} ≤ V_{DD} + 0.1 X V_{DD} - where V_{SS} and V_{DD} are appropriate reference pins for a given input pin. (See section on power supply pin descriptions.)

CL = 50 pF unless otherwise noted

Operating ranges define those limits between which the functionality of the device is guaranteed.

Parameter Symbol	Parameter Description	Test Conditions	Min	Max	Units
t ₂₅	TCK period		100		ns
t ₃₀	TDI, TMS setup time to TCK ↑		16		ns
t ₃₁	TDI, TMS hold time from TCK ↑		10		ns
t ₃₂	TDO valid delay from TCK ↓		3	60	ns
t ₃₄	All outputs (non-test) valid delay from TCK ↓		3	60	ns
t ₃₅	All outputs (non-test) float delay from TCK ↓	Note 1		70	ns
t ₃₆	All inputs (non-test) setup time to TCK ↑		8		ns
t ₃₇	All inputs (non-test) hold time from TCK ↑		25		ns

Note:

1. Parameter is not included in production test.

ANALOG-TO-DIGITAL (A/D)**CONVERTER CHARACTERISTICS**

Resolution: 7 bits

Resolution Tested: 4 bits

Sample Rate: 1.66 MSPS (600 ns)*

Recommended A/D Ref Range: 1.25 to 1.75 V**

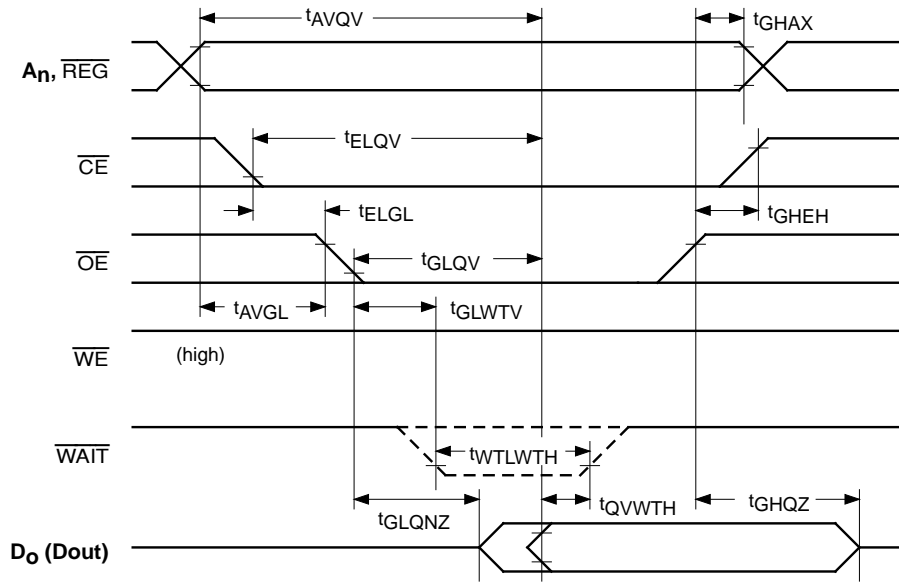
Range of ADIN1 + ADIN2: 0 to (ADREF x 2)

*User should program a 0011 in A2DT[3:0] of TCR25.

**ADREF is doubled internally.

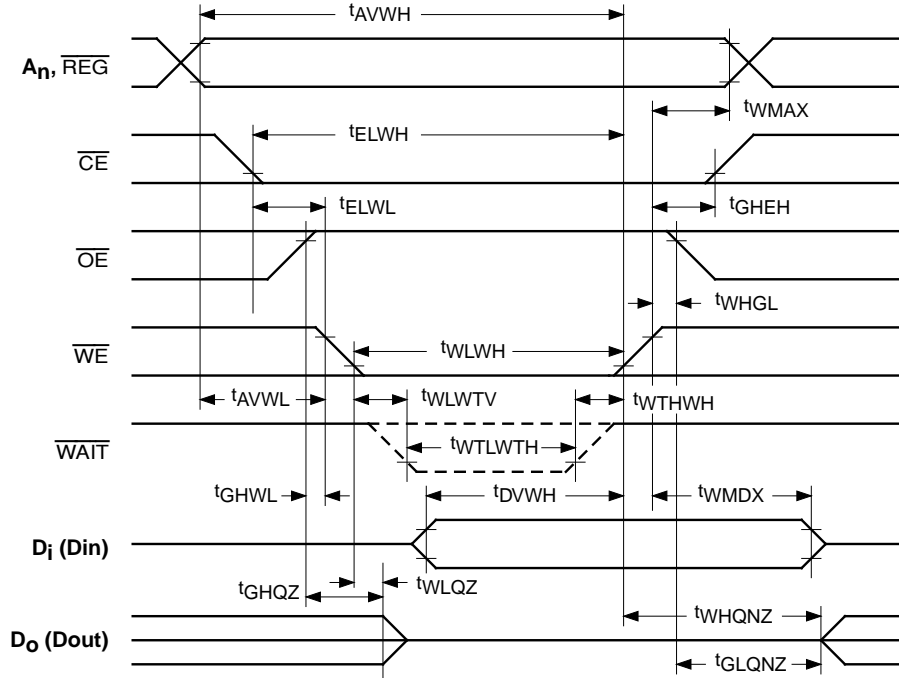
TIMING WAVEFORMS

PCMCIA Bus Interface Waveforms



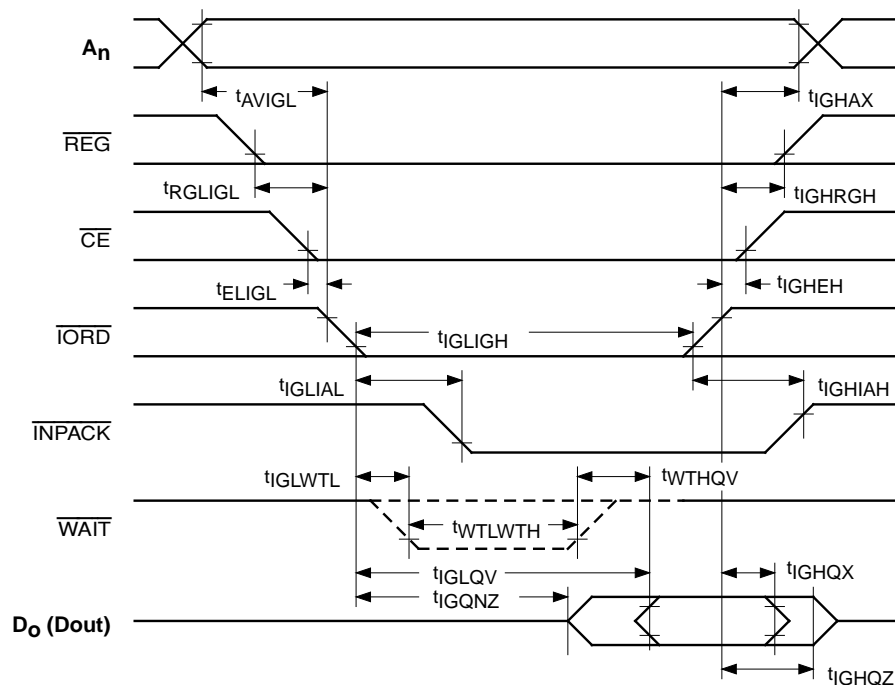
20138B-10

Figure 4. PCMCIA MEMORY READ Access Timing Diagram



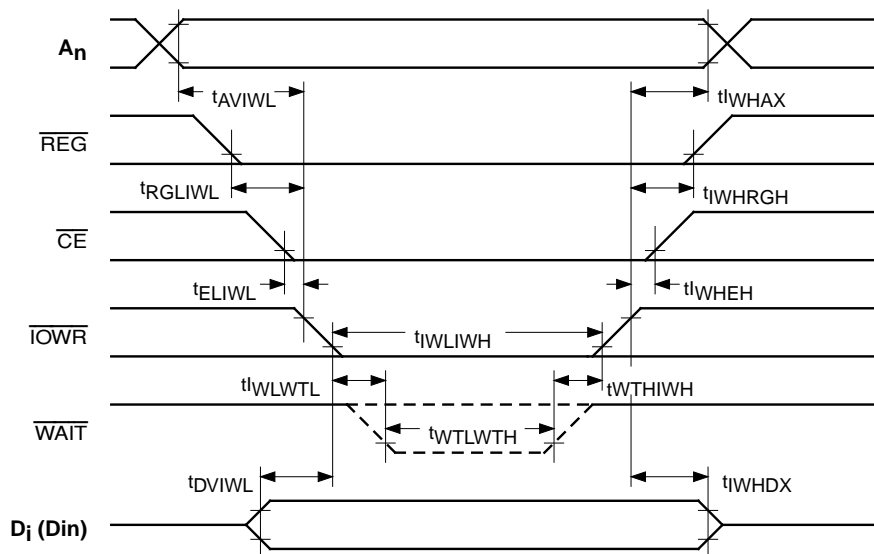
20138B-11

Figure 5. PCMCIA MEMORY WRITE Access Timing Diagram



20138B-12

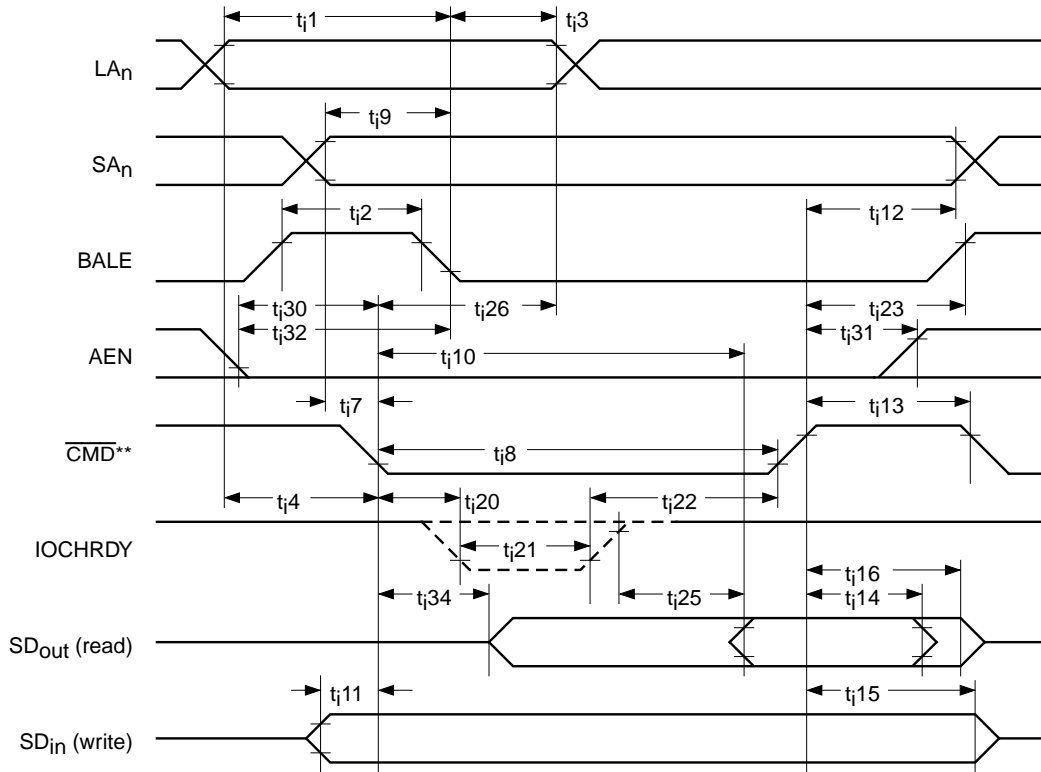
Figure 6. PCMCIA I/O READ Access Timing Diagram



20138B-13

Figure 7. PCMCIA I/O WRITE Access Timing Diagram

ISA Bus Interface Waveforms

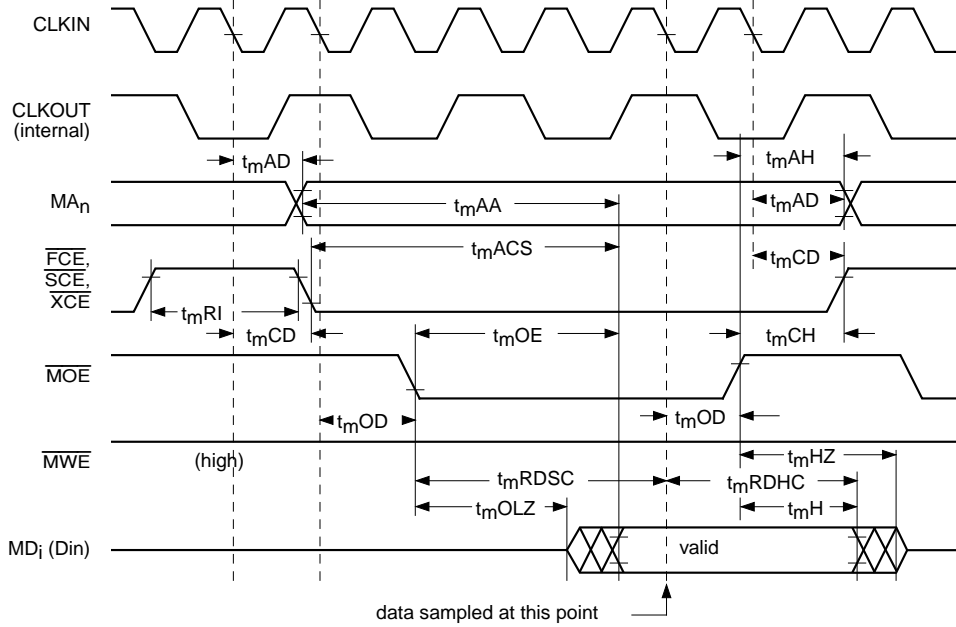


** \overline{CMD} = one of: \overline{MEMR} , \overline{MEMW} , \overline{IOR} , \overline{IOW}

20138B-14

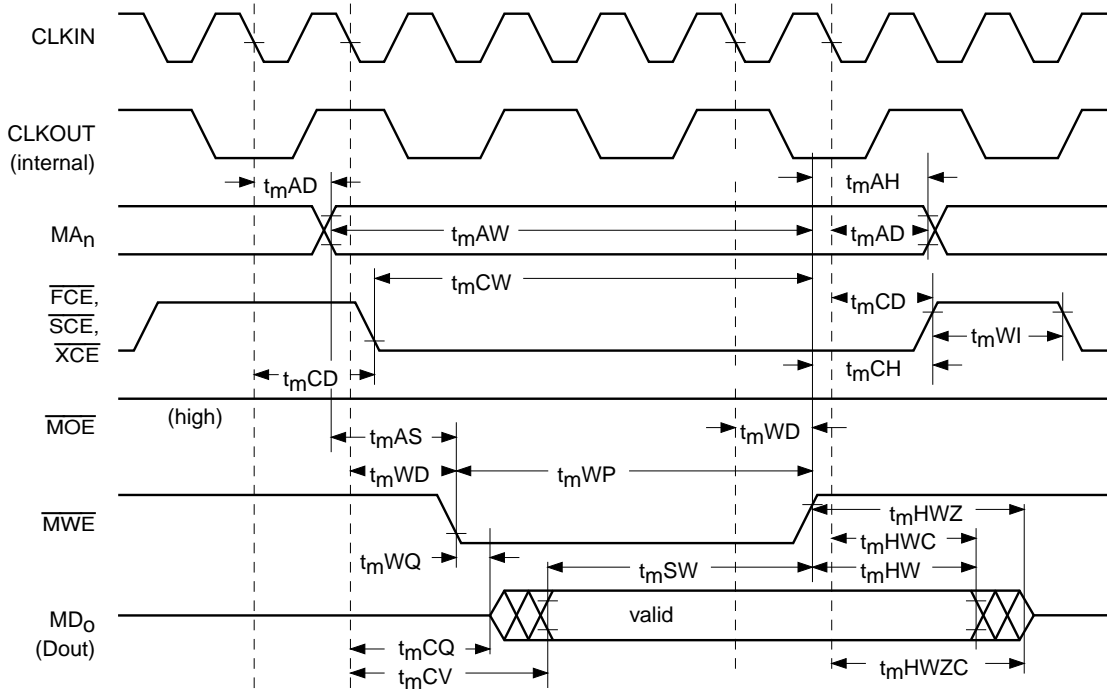
Figure 8. ISA All Access Timing Diagram

Memory Bus Interface Waveforms



20138B-15

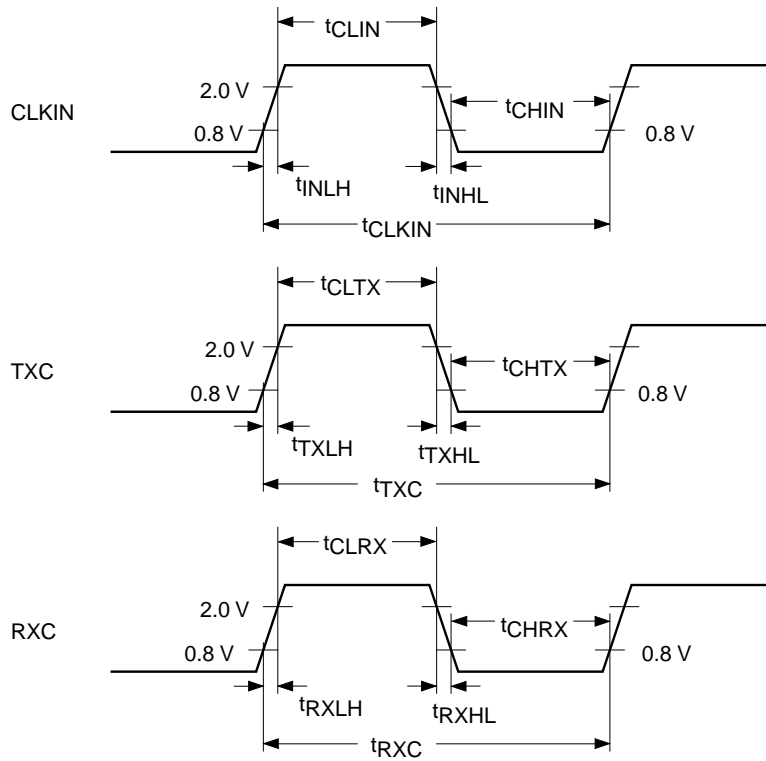
Figure 9. Memory Bus READ Access Timing Diagram



20138B-16

Figure 10. Memory Bus WRITE Access Timing Diagram

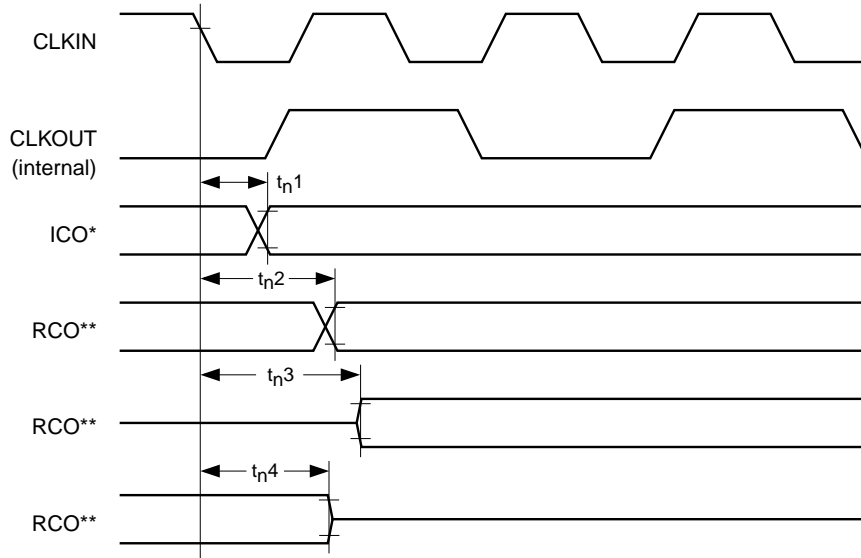
CLOCK WAVEFORMS



20138B-17

Figure 11. CLOCK Timing Diagram

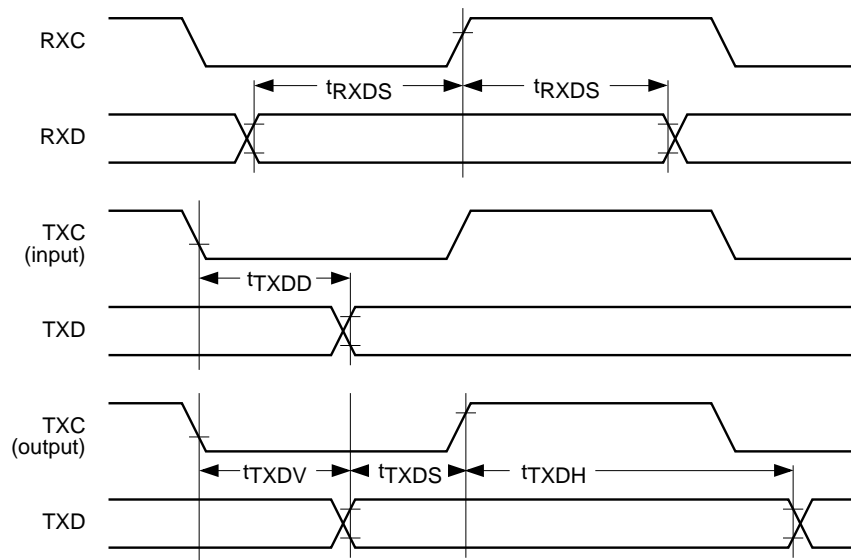
TAI WAVEFORMS



20138B-18

**ICO = Internally Controlled Output

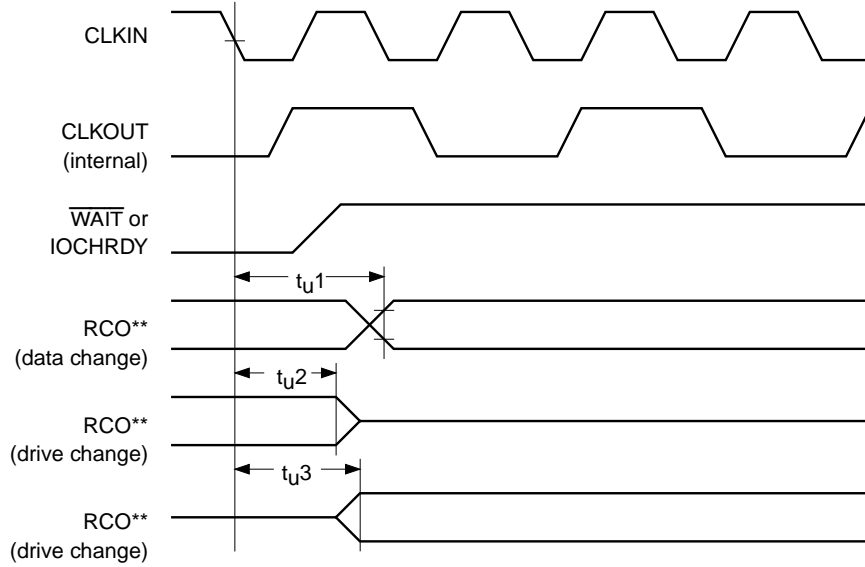
Figure 12. TAI Timing Diagram



20138B-19

Figure 13. Serial Data Timing Diagram

PROGRAMMABLE INTERFACE WAVEFORMS

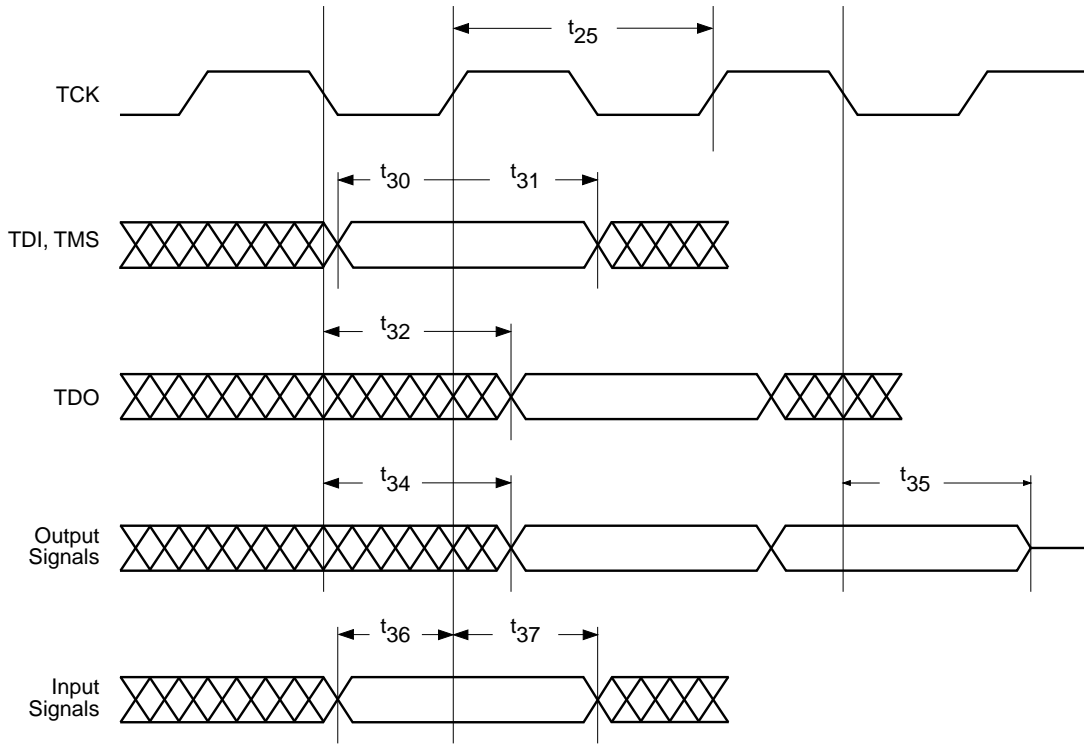


20138B-20

**RCO = Register Controlled Output

Figure 14. Programmable Interface Timing Diagram

IEEE 1149.1 INTERFACE WAVEFORMS



20138B-21

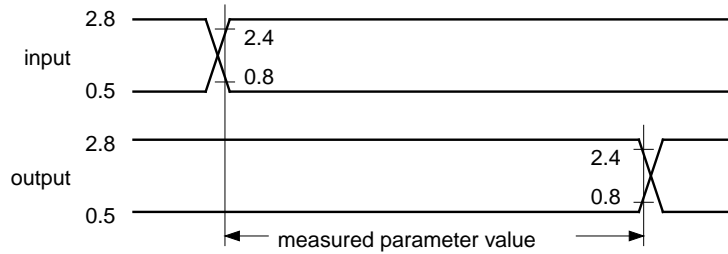
Figure 15. IEEE 1149.1 Timing Diagram

AC TEST REFERENCE WAVEFORMS

5.0 V PCMCIA AC Test Reference Waveform

This waveform indicates the AC testing method employed for all signals that are PCMCIA bus signals when

the PCMCIA power supply pins are set to 5.0 V (i.e., VDDP pins = 5.0 V).



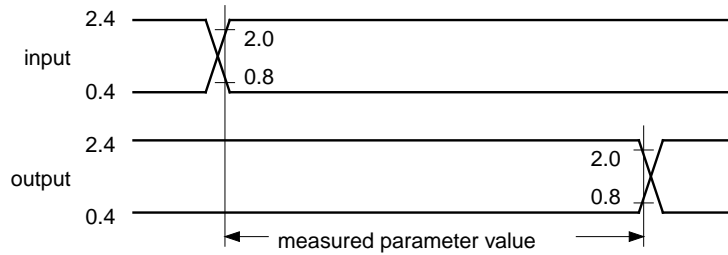
20138B-22

Figure 16. 5.0 V PCMCIA AC Test Reference Waveform

3.3 V PCMCIA AC Test Reference Waveform

This waveform indicates the AC testing method employed for all signals that are PCMCIA bus signals when

the PCMCIA power supply pins are set to 3.3 V (i.e., VDDP pins = 3.3 V).



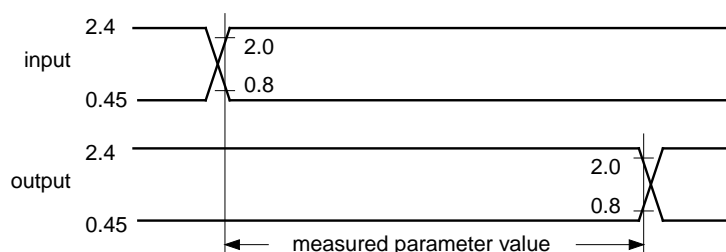
20138B-23

Figure 17. 3.3 V PCMCIA AC Test Reference Waveform

5.0 V NON-PCMCIA AC TEST REFERENCE WAVEFORM

This waveform indicates the AC testing method employed for all signals that are not PCMCIA bus signals when the appropriate power supply pins are set to 5.0 V (i.e., VDDT, VDDU1, VDDU2, VDDM pins = 5.0 V).

This includes ISA signals, TAI interface signals, Memory Bus Interface signals, IEEE 1149.1 signals and any other signal not considered to be part of the PCMCIA bus interface.



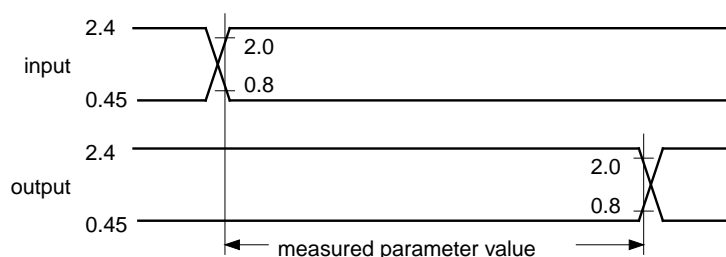
20138B-24

Figure 18. 5.0 V Non-PCMCIA AC Test Reference Waveform

3.3 V NON-PCMCIA AC TEST REFERENCE WAVEFORM

This waveform indicates the AC testing method employed for all signals that are not PCMCIA bus signals when the appropriate power supply pins are set to 3.3 V (i.e., VDDT, VDDU1, VDDU2, VDDM pins = 3.3 V). This includes ISA signals, TAI interface signals, Memory Bus

Interface signals, IEEE 1149.1 signals and any other signal not considered to be part of the PCMCIA bus interface.



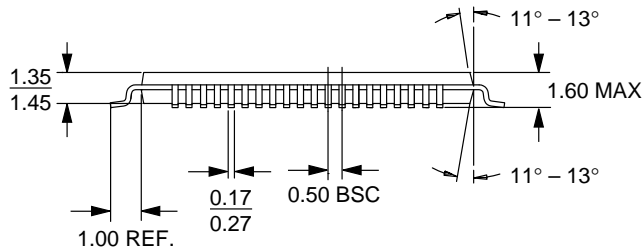
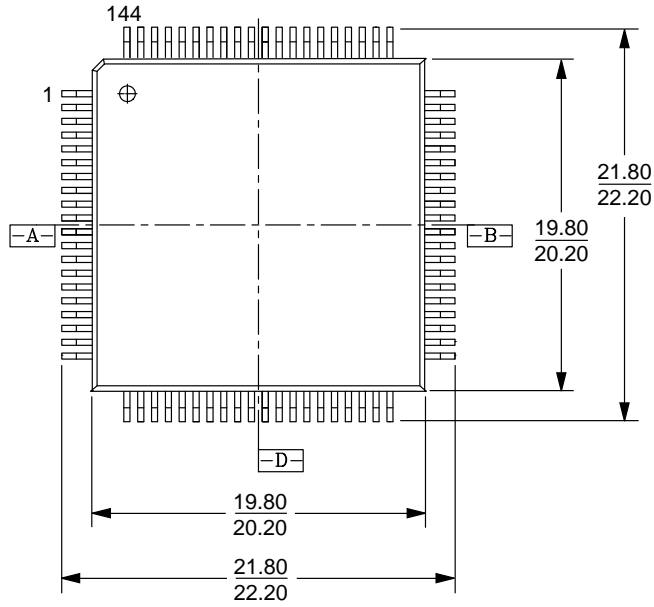
20138B-25

Figure 19. 3.3 V Non-PCMCIA AC Test Reference Waveform

PHYSICAL DIMENSIONS

PQT144

144-Pin Thin Quad Flat Pack (measured in millimeters)



16-038-PQT-2_AH
PQT144
5-4-95 ae

*For reference only. BSC is an ANSI standard for Basic Space Centering.

Trademarks

Copyright © 1997 Advanced Micro Devices, Inc. All rights reserved.

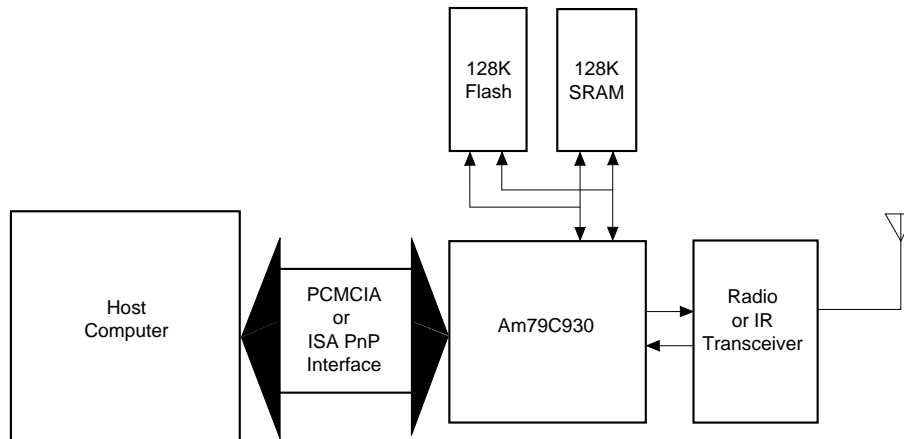
AMD, the AMD logo, and combinations thereof are trademarks of Advanced Micro Devices, Inc.

PCnet is a trademark of AMD.

Product names used in this publication are for identification purposes only and may be trademarks of their respective companies.



Typical Am79C930 System Application



20183A-1

Figure 1: Typical Am79C930 System Application

The typical Am79C930 application contains a Am79C930 device, a Flash memory device (up to 128 Kbytes), an SRAM memory device (up to 128 Kbytes), a network transceiver unit, and a host computer system connected to the Am79C930 subsystem through either the PCMCIA or ISA Plug and Play system bus.

The Flash memory device is used to store PCMCIA CIS or ISA Plug and Play resource data, the network ID for the subsystem and the IEEE 802.11 (draft), and the Xircom Netwave MAC protocol firmware that will be executed on the Am79C930 device's embedded 80188 core. The SRAM will be used by both the device driver and the Am79C930 80188 core for command and status passing, data buffer storage, and 80188 core variable space.

In addition to these hardware components, the Am79C930 subsystem will require network application software, a device driver, IEEE 802.11 (draft) MAC protocol firmware stored in the Flash device before power up, and system configuration information (either PCMCIA CIS or ISA Plug and Play Resource Data) that is also stored in the Flash device before power up.

Note: The Am79C930 device allows an uninitialized Flash memory device to be built into the Am79C930 subsystem and then to be programmed within the Am79C930 subsystem. However, normal configuration

utilities present in the system must be disabled before attempting this procedure.

The general function of the Am79C930 device is to provide the MAC layer functions for an IEEE 802.11 (draft) or Xircom Netwave protocol network. The following sections give a description of the interaction of the Am79C930 device with a device driver, the Am79C930 80188 core firmware, and the network.

Device Configuration

The PCMCIA pin is strapped in hardware to select either PCMCIA or ISA Plug and Play mode of operation. In either case, the host computer at system configuration time (typically at system boot time) will read the configuration information from the Am79C930 subsystem Flash memory to determine the memory, I/O space, and interrupt channel requirements of the subsystem.

After allocating a portion of system resources to the Am79C930 subsystem, the device driver will be loaded. The device driver will set up or reserve various areas of the SRAM for the following purposes:

1. Command and status communication
2. Data buffer areas
3. Am79C930 80188 core variable space

After performing these functions, the device driver will enable the 80188 core by writing to a register to release the RESET of the Am79C930 80188 core. The Am79C930 80188 core will then begin fetching instructions from the Flash memory and will eventually execute code that causes it to recognize the command area that the driver has set up in the SRAM.

The Am79C930 80188 core will begin by initializing registers contained within the TAI unit. Once this has been completed, status will be written to the SRAM command and status area, and an interrupt will be sent first to the system interface's status register and then to the system interface bus. The device driver will acknowledge and clear the interrupt, and then will write the next command to the SRAM command and status area, setting an interrupt for the Am79C930 80188 core.

Flash memory information for system configuration (PCMCIA CIS or ISA Plug and Play Resource Data) will normally be pre-programmed in the Flash memory along with network ID; however, this information may be written to the Flash memory the first time through the system interface, before the RESET of the Am79C930 80188 core is released.

Note: *Normal system configuration utilities must be disabled before this is attempted.*

Frame Transmission

Frame transmission is initiated by the device driver. The device driver first places the frame data into the SRAM in the transmit data buffer area. Then the device driver writes the appropriate set of transmit commands to the command area of the SRAM and sets an interrupt bit in one of the system interface registers. An interrupt to the Am79C930 80188 core will be generated, and the Am79C930 80188 core will respond by examining the command area of the SRAM. The transmit command will instruct the Am79C930 80188 core to move the transmit data from the data buffer area of SRAM into the TAI unit's transmit (TX) FIFO. The move may be accomplished either through the use of programmed I/O moves or DMA moves. DMA channel 1 of the 80188 core is reserved for use by the TX FIFO.

After waiting for appropriate timing intervals as specified in the IEEE 802.11 (draft) and the Xircom Netwave standards, the Am79C930 80188 core will write the transmit command to the TAI, and the TAI will begin sending the transmit data stream to the transceiver. During the transmission procedure, the TX FIFO will require occasional refilling. The request for additional TX data will be acknowledged by the Am79C930 80188 core until the entire TX frame has been sent to the transceiver. When the last byte of data has been sent, a Cyclic Redundancy Check (CRC) field will automatically be appended to the frame by the TAI unit when the CRC function has been enabled. Preamble and Start of Frame Delimiters will not be automatically generated by the TAI unit and, therefore, must be supplied by the firmware as part of the data that is loaded into the TX FIFO. CRC bytes are automatically appended by the TAI after the TX FIFO empties.

When all bytes, including CRC bytes, have been sent to the transceiver, TX status information will be gathered and placed in the SRAM for delivery to the device driver. Then, an interrupt to the system will be generated.

Frame Reception

Frame reception is initiated by the network. When the appropriate network signaling is recognized (a Preamble plus Start of Frame Delimiter) in the TAI unit, the TAI will begin placing received data into the receive (RX) FIFO. As the RX FIFO becomes filled with data, it will request that data be removed by asserting the DMA channel 0 input of the Am79C930 80188 core. The 80188 core will move the received data from the RX FIFO into the SRAM data buffer space and will examine the destination address. If the address does not match the address of the Am79C930 subsystem, then the frame will be rejected by the Am79C930 device. If the frame address does match the address of the Am79C930 subsystem, then the frame will be accepted. When all bytes of the receive frame have been placed into the SRAM's data buffer space and the receive status has been placed into the SRAM, the Am79C930 80188 core will send an interrupt to the system. The device driver will respond to the interrupt by reading the command and status area of the SRAM. Then the device driver will move the received frame from the SRAM into the system memory. Finally, the device driver will write status to the SRAM to release the data buffer back to the Am79C930 80188 core for use in a later reception.

Trademarks

Copyright © 1998 Advanced Micro Devices, Inc. All rights reserved.

AMD, the AMD logo, and combinations thereof are trademarks of Advanced Micro Devices, Inc.

Am186, Am386, Am486, Am29000, bIMR, eIMR, eIMR+, GigaPHY, HIMIB, ILACC, IMR, IMR+, IMR2, ISA-HUB, MACE, Magic Packet, PCnet, PCnet-FAST, PCnet-FAST+, PCnet-Mobile, QFEX, QFEXr, QuASI, QuEST, QuIET, TAXIchip, TPEX, and TPEX Plus are trademarks of Advanced Micro Devices, Inc.

Microsoft is a registered trademark of Microsoft Corporation.

Product names used in this publication are for identification purposes only and may be trademarks of their respective companies.